



# Parts Manual IS3100Z Series Zero-Turn Riding Mower



<b>Models:</b>	<b>Description:</b>
5900613	32HP Briggs & Stratton w/ 61" Mower Deck & ROPS (IS3100ZBV3261)
5900716	32HP Briggs & Stratton w/ 61" Mower Deck & ROPS AUS/NZ (IS3100ZBV30/61 AUS/NZ)
5900717	32HP Briggs & Stratton w/ ROPS AUS/NZ (IS3100ZBV32 AUS/NZ)
5900736	32HP Briggs & Stratton w/ 61" Mower Deck & ROPS CAL (IS3100ZBV3261 CAL)
5900753	37HP Kawasaki w/ ROPS (IS3100ZKAV37SS)
5901183	32HP Briggs & Stratton w/ ROPS (IS3100ZBV32)
5900611	26HP Liquid-Cooled V-Twin w/ 61" Mower Deck & ROPS (IS3100ZLKAV2661)
5901186	30HP Briggs & Stratton w/ 61" Mower Deck & ROPS (IS3100ZBV3061)
5900612	30HP Kohler w/ 61" Mower Deck & ROPS (IS3100ZK3061)
5900752	37HP Kawasaki w/ 61" Mower Deck & ROPS (IS3100ZKAV3761SS)
5900718	72" Side Discharge Mower Deck AUS/NZ (3100/72 AUS/NZ)
5901184	72" Side Discharge Mower Deck (3100/72)

**Briggs and Stratton Yard Power Products Group**

5375 North Main Street  
Munnsville, NY 13409 USA  
800-933-6175

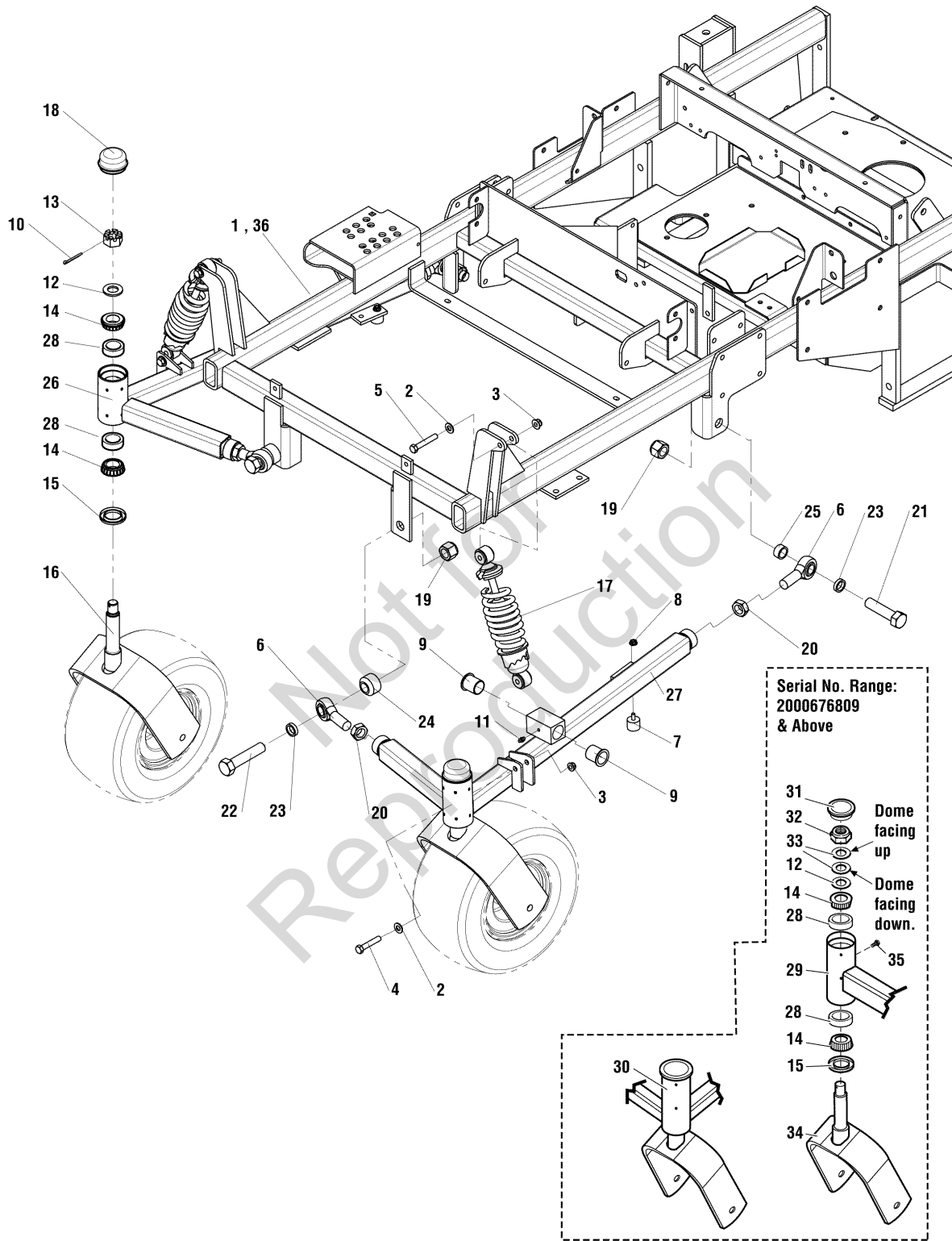
5100543  
Revision BA  
Rev. Date: 07/02/10  
TP 400-7282-BA-3Z-F

Not for  
Reproduction

<b>MODEL COMPONENTS</b>	<b>PAGE</b>
Main Frame & Front Suspension Group - 61" Deck Model .....	4
Main Frame & Front Suspension Group - 72" Deck Model .....	6
Rear Bumper, Roll Bar & Seat Belt Group .....	8
Seat Mount & Floor Group .....	10
Fuel Supply Hose & Tank Replacement Parts Group .....	12
Fuel Tank & Mount Group .....	14
Instrument Control Group .....	16
Engine & PTO Group - Briggs & Stratton 30HP (All) & 32HP (S/N: 2013556395 & Below) .....	18
Engine & PTO Group - Kohler 30 HP .....	22
Engine & PTO Group - Kawasaki 26 HP Liquid Cooled .....	26
Engine & PTO Group - Kawasaki 37 HP .....	30
Pump Drive Group (S/N: 2014192366 & Below) .....	34
Motion Control Group - Lower .....	36
Motion Control Group - Upper .....	38
Hydraulic Group (S/N: 2013257171 & Below) .....	40
Hydraulic Group (S/N: 2013257172 & Above) .....	42
Reservoir Mount & Battery Group .....	44
Parking Brake Group .....	46
Rear Suspension Group - (S/N: 2012803266 & Below) .....	48
Rear Suspension Group - (S/N: 2012803267 & Above) .....	50
Deck Lift Group (S/N: 2000729893 & Below) .....	52
Deck Lift Group (S/N: 2000729894 & Above) .....	56
Wheel & Tire Group .....	60
Decal Group - Brand & Model .....	62
Decal Group - Safety & Operation .....	64
61" & 72" Mower Deck - Hanger Chains .....	66
61" Mower Deck - Housing, Covers, Spindles & Blades .....	68
61" Mower Deck - Pulleys, Belt & Idler Arm .....	70
61" Mower Deck - Rollers & Casters .....	72
61" Mower Deck - Rear Mount Bars .....	74
72" Mower Deck - Housing, Covers, Spindles & Blades .....	76
72" Mower Deck - Pulleys, Belt & Idler Arm .....	78
72" Mower Deck - Rollers & Casters .....	80
72" Mower Deck - Rear Mount Bars .....	82
61" & 72" Mower Decks - Hanger Chains .....	84
Electrical Schematics - Kawasaki 26HP LC .....	86-89
Electrical Schematics - Kohler 30HP .....	90-93
Electrical Schematics - Briggs & Stratton 30HP & 32HP .....	94-97
Electrical Schematics - Kawasaki 37HP .....	98-101
<b>Torque Specification Chart .....</b>	<b>Inside Back Cover</b>

# Main Frame & Front Suspension Group - 61" Deck Model

NOTE: Unless noted otherwise, use the standard hardware torque specification chart.



The above parts group applies to the following Mfg. Nos.:

- 5901186 (IS3100ZBV3061)                      5900736 (IS3100ZBV3261 CAL)
- 5900613 (IS3100ZBV3261)
- 5900612 (IS3100ZK3061)
- 5900611 (IS3100ZLKAV2661)
- 5900716 (IS3100ZBV30/61 AUS/NZ)
- 5900752 (IS3100ZKAV3761SS)

## Main Frame & Front Suspension Group - 61" Deck Model

REF NO	PART NO.	QTY.	DESCRIPTION
1	5400486B	1	WELD, MAIN FRAME, IS3000Z (Serial No.: 2013221685 & Below.)
2	5025293	4	WASHER 3/8" GD. 9 FLAT
3	5025394	4	NUT, 3/8-16 HEX NYLOCK FLANGE
4	5025013X16	2	BOLT, 3/8-16 X 2" GD5
5	5025013X18	2	BOLT, 3/8-16 X 2-1/4" GD5
6	5022039	4	BALL JOINT, 3/4-16 MALE
7	5022673	2	BUMPER, RUBBER 1/4-20
8	5025126	2	NUT, 1/4-20 HEX SERR. FLANGE
9	5023343	4	FLANGE BUSHING
10	5025203X10	2	PIN, COTTER, 1/8" X 1-1/4"
11	5020095	2	GREASE FITTING, 1/4-28 STR
12	5025160	2	WASHER, 3/4" SAE
13	5025104	2	NUT, 3/4-16 HEX SLOTTED
14	5020884	4	BEARING, TAPPERD ROLLER, 1"
15	5021072	2	SEAL, GREASE
16	5045769B	2	WELD, CASTER YOKE
17	5023436	2	COIL - OVER SHOCK ASSEMBLY
18	5021073	2	CAP, DUST
19	5025284	4	NUT, 3/4-16 HEX NYLON LOCK
20	5025093	4	NUT, HEX JAM, 3/4-16
21	5025265X24	2	BOLT, 3/4-16 X 3" GD 5
22	5025265X28	2	3/4-16 X 3.5" HHCS YZP GR 5
23	5047461	4	SPACER, .76 X 1.00 X .25
24	5046093	2	SPACER, .75 X 1.50 X 1.00
25	5046092	2	SPACER, .76 X 1.00 X .50
26	5047742B	1	ASSM, A-ARM, RH (Includes Ref. No. 9 and 11.)
27	5047743B	1	ASSM, A-ARM, LH (Includes Ref. No. 9 and 11.)
28	5020883	4	BEARING CUP
29	5402229B	1	WELD, A-ARM - RH - RED (Serial No.: 2000676809 & Above.)
30	5402230B	1	WELD, A-ARM - LH - RED (Serial No.: 2000676809 & Above.)
31	5100882	2	CAP, CASTER SPINDLE, LOW PROFILE (Serial No.: 2000676809 & Above.)
32	5025448	2	NUT, 3/4-16, HEX JAM NYLON LOCK (Serial No.: 2000676809 & Above.)
33	5025449	4	BELLEVILLE WASHER, 1.500 X .755 (Serial No.: 2000676809 & Above.)
34	5402207B	2	WELD, CASTER YOKE - RED (Serial No.: 2000676809 & Above.)
35	5025457	2	BOLT, 1/4-28 X 1/2, GD5 YZ (Serial No.: 2000676809 & Above.)
36	5404428B	1	WELD, MAIN FRAME, IS3100Z (Serial No.: 2013221686 & Above.)

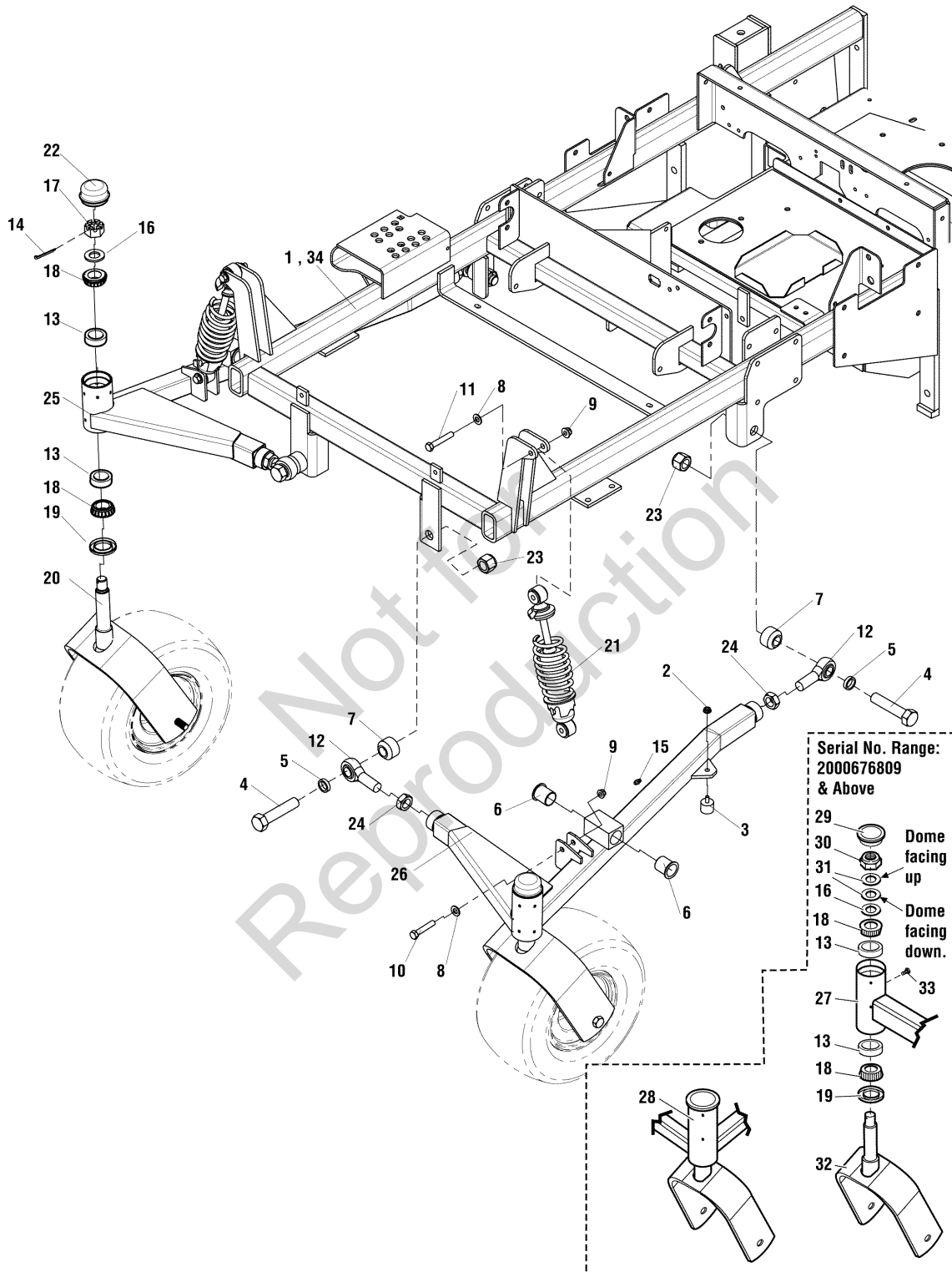
### Footnotes

The above parts group applies to the following Mfg. Nos.:

5901186 (IS3100ZBV3061) 5900736 (IS3100ZBV3261 CAL)  
 5900613 (IS3100ZBV3261)  
 5900612 (IS3100ZK3061)  
 5900611 (IS3100ZLKAV2661)  
 5900716 (IS3100ZBV30/61 AUS/NZ)  
 5900752 (IS3100ZKAV3761SS)

# Main Frame & Front Suspension Group - 72" Deck Model

NOTE: Unless noted otherwise,  
use the standard hardware torque  
specification chart.



The above parts group applies to the following Mfg. Nos.:

5900717 (IS3100ZBV32 AUS/NZ)

5901183 (IS3100ZBV32)

5900753 (IS3100ZKAV37SS)

## Main Frame & Front Suspension Group - 72" Deck Model

REF NO	PART NO.	QTY.	DESCRIPTION
1	5400486B	1	WELD, MAIN FRAME, IS3000Z (Serial No.: 2013221685 & Below)
2	5025126	2	NUT, 1/4-20 HEX SERR. FLANGE
3	5022673	2	BUMPER, RUBBER 1/4-20
4	5025265X28	4	3/4-16 X 3.5" HHCS YZP GR 5
5	5047461	4	SPACER, .76 X 1.00 X .25
6	5023343	4	BUSHING, 1.00 X 1.13 X 1.38, PLASTIC
7	5046093	4	SPACER, .75 X 1.50 X 1.00
8	5025093	4	WASHER 3/8" GR. 9
9	5025394	4	NUT, 3/8-16 HEX NYLOCK FLANGE
10	5025013X16	2	BOLT, 3/8-16 X 2" GD5
11	5025013X18	2	BOLT, 3/8-16 X 2-1/4" GD5
12	5022039	4	BALL JOINT, 3/4-16 MALE
13	5020883	4	BEARING CUP
14	5025203X10	2	PIN, COTTER, 1/8" X 1-1/4"
15	5020095	2	GREASE FITTING, 1/4-28 STR
16	5025160	2	WASHER, 3/4" SAE
17	5025104	2	NUT, 3/4-16 HEX SLOTTED
18	5020884	4	BEARING, TAPPERD ROLLER, 1"
19	5021072	2	SEAL, GREASE
20	5045769B	2	WELD, CASTER YOKE
21	5023383	2	COIL - OVER SHOCK ASSEMBLY
22	5021073	2	CAP, DUST
23	5025284	4	NUT, 3/4-16 HEX NYLON LOCK
24	5025093	4	NUT, HEX JAM, 3/4-16
25	5401522B	1	WELD, RH A-ARM, 72", IS3100Z
26	5401523B	1	WELD, LH A-ARM, 72", IS3100Z
27	5402212B	1	WELD, A-ARM - RH - RED - 72" (Serial No.: 2000676809 & Above)
28	5402213B	1	WELD, A-ARM - LH - RED - 72" (Serial No.: 2000676809 & Above)
29	5100882	2	CAP, CASTER SPINDLE, LOW PROFILE (Serial No.: 2000676809 & Above)
30	5025448	2	NUT, 3/4-16, HEX JAM NYLON LOCK (Serial No.: 2000676809 & Above)
31	5025449	4	BELLEVILLE WASHER, 1.500 X 7.55 (Serial No.: 2000676809 & Above)
32	5402207B	2	WELD, CASTER YOKE - RED (Serial No.: 2000676809 & Above)
33	5025457	2	BOLT, 1/4-28 X 1/2, GD5 YZ (Serial No.: 2000676809 & Above)
34	5404428B	1	WELD, MAIN FRAME, IS3100Z (Serial No.: 2013221686 & Above)

### Footnotes

The above parts group applies to the following Mfg. Nos.:

5900717 (IS3100ZBV32 AUS/NZ)

5901183 (IS3100ZBV32)

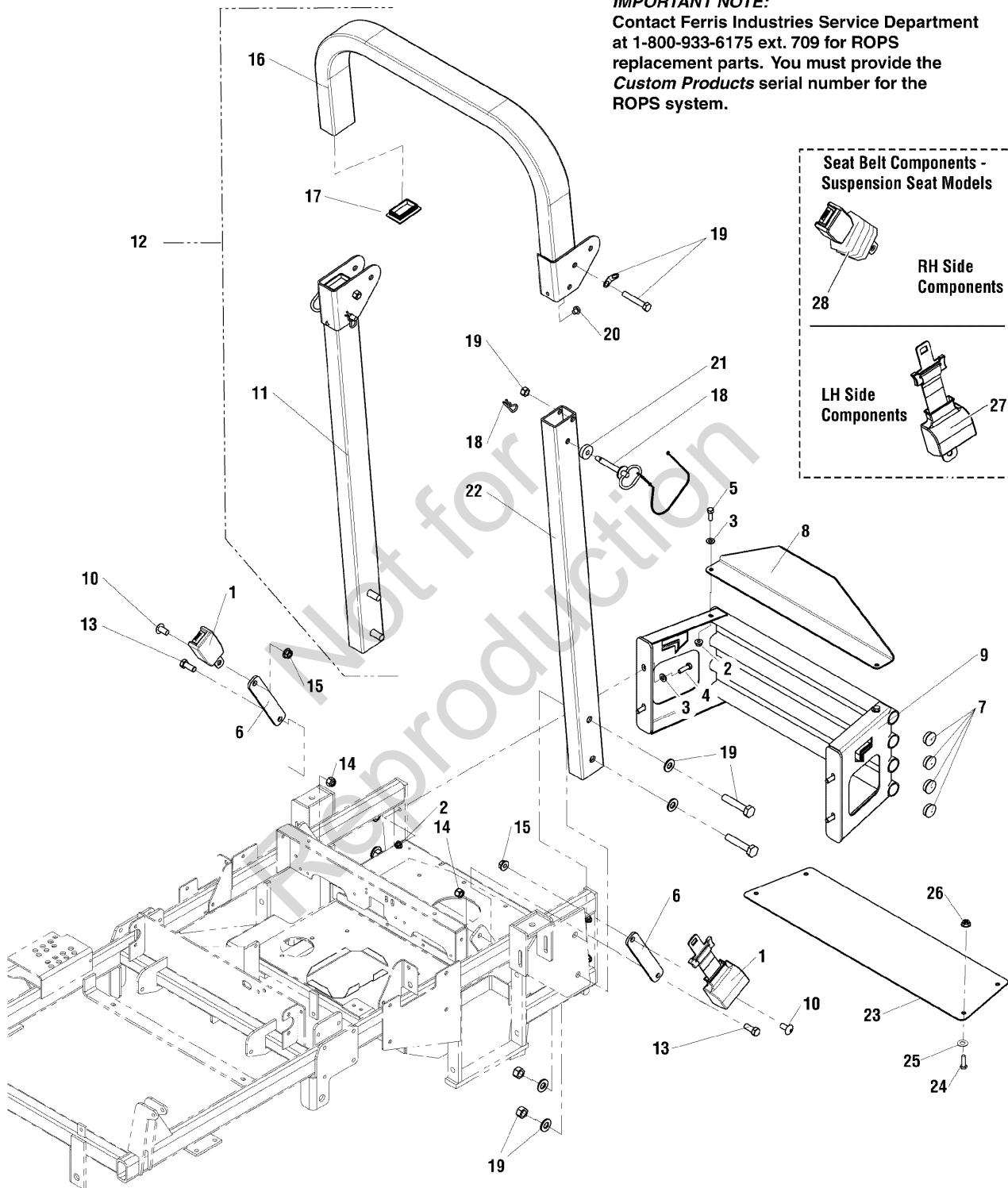
5900753 (IS3100ZKAV37SS)

# Rear Bumper, Roll Bar & Seat Belt Group

**NOTE:** Unless noted otherwise, use the standard hardware torque specification chart.

**IMPORTANT NOTE:**

Contact Ferris Industries Service Department at 1-800-933-6175 ext. 709 for ROPS replacement parts. You must provide the *Custom Products* serial number for the ROPS system.



**The above parts group applies to the following Mfg. Nos.:**

- |                             |                                 |
|-----------------------------|---------------------------------|
| 5900613 (IS3100ZBV3261)     | 5900753 (IS3100ZKAV37SS)        |
| 5900612 (IS3100ZK3061)      | 5900716 (IS3100ZBV30/61 AUS/NZ) |
| 5900611 (IS3100ZLKAV2661)   | 5900717 (IS3100ZBV32 AUS/NZ)    |
| 5901183 (IS3100ZBV32)       | 5900752 (IS3100ZKAV3761SS)      |
| 5901186 (IS3100ZBV3061)     |                                 |
| 5900736 (IS3100ZBV3261 CAL) |                                 |



## Rear Bumper, Roll Bar & Seat Belt Group

REF NO	PART NO.	QTY.	DESCRIPTION
1	5100139	1	SEAT BELT RETRACTING
2	5025394	6	NUT, 3/8-16 HEX NYLOCK FLANGE
3	5025293	6	WASHER 3/8" GD9
4	5025013X10	4	BOLT, 3/8-16 X 1-1/4" GD5
5	5025013X8	2	BOLT, 3/8-16 X 1" GD5
6	5400844B	2	SEAT BELT BRACKET, IS3000 - RED
7	5023484	8	PLUG, PANEL, 1.25 BLACK
8	5401105B	1	SHIELD, KAWI, 3000 - RED (Kawasaki model only.)
8	5400513B	1	SHIELD, CARBURETOR - RED (Briggs & Stratton model only.)
9	5400495B	1	WELD, BUMPER 3000 - RED (Briggs & Stratton and Kawasaki model only.)
9	5401494B	1	WELD, BUMPER, 3100Z - KOHLER - RED (Kohler model only.)
10	5100267	2	SCREW, 1/2-13 X 1.00, SHCS
11	-	1	ROLL BAR POST, RH
12	5100189	1	ROPS COMPLETE IN BOX, IS3000 (SEE DRAWING NOTE.)
13	5025018X10	2	BOLT, 1/2-20 X 1-1/4" GRD5
14	5025098	2	NUT, 1/2-20 HEX NYLON LOCK
15	5025396	2	NUT, 1/2-13 HEX NYLOCK FLANGE
16	-	1	ROLL BAR TOP LOOP (SEE DRAWING NOTE.)
17	5100547	2	RUBBER CAP
18	5100079	2	PIN WITH LANYARD
19	5100378	1	HARDWARE BAG (Includes Ref. Nos. 18,19, 21, and 22.)
20	5100383	2	RUBBER BUMPER
21	5100545	2	RUBBER WASHER
22	-	1	ROLL BAR POST, LH (SEE DRAWING NOTE.)
23	5402350B	1	PLATE, HEAT SHIELD, BUMPER (Kawasaki & Briggs Models Only)
24	5025011X6	4	BOLT, 5/16-18 X 3/4" (Kawasaki & Briggs Models Only)
25	5025155	4	WASHER, 5/16" SAE (Kawasaki & Briggs Models Only)
26	5025392	4	NUT, 5/16-18 HEX NYLOCK FLANGE (Kawasaki & Briggs Models Only)
27	5101226	1	RETRACTOR, SEAT BELT (FOR SUSPENSION SEAT ONLY)
28	5101223	1	SUPER SLEEVE BUCKLE, SEAT BELT (FOR SUSPENSION SEAT ONLY)

### Footnotes

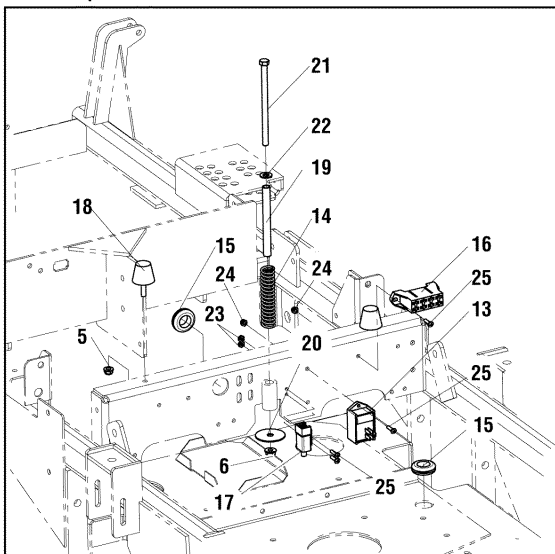
#### The above parts group applies to the following Mfg. Nos.:

5900613 (IS3100ZBV3261)	5900753 (IS3100ZKAV37SS)
5900612 (IS3100ZK3061)	5900716 (IS3100ZBV30/61 AUS/NZ)
5900611 (IS3100ZLKAV2661)	5900717 (IS3100ZBV32 AUS/NZ)
5901183 (IS3100ZBV32)	5900752 (IS3100ZKAV3761SS)
5901186 (IS3100ZBV3061)	
5900736 (IS3100ZBV3261 CAL)	

# Seat Mount & Floor Group

**NOTE:** Unless noted otherwise, use the standard hardware torque specification chart.

Seat Compartment.



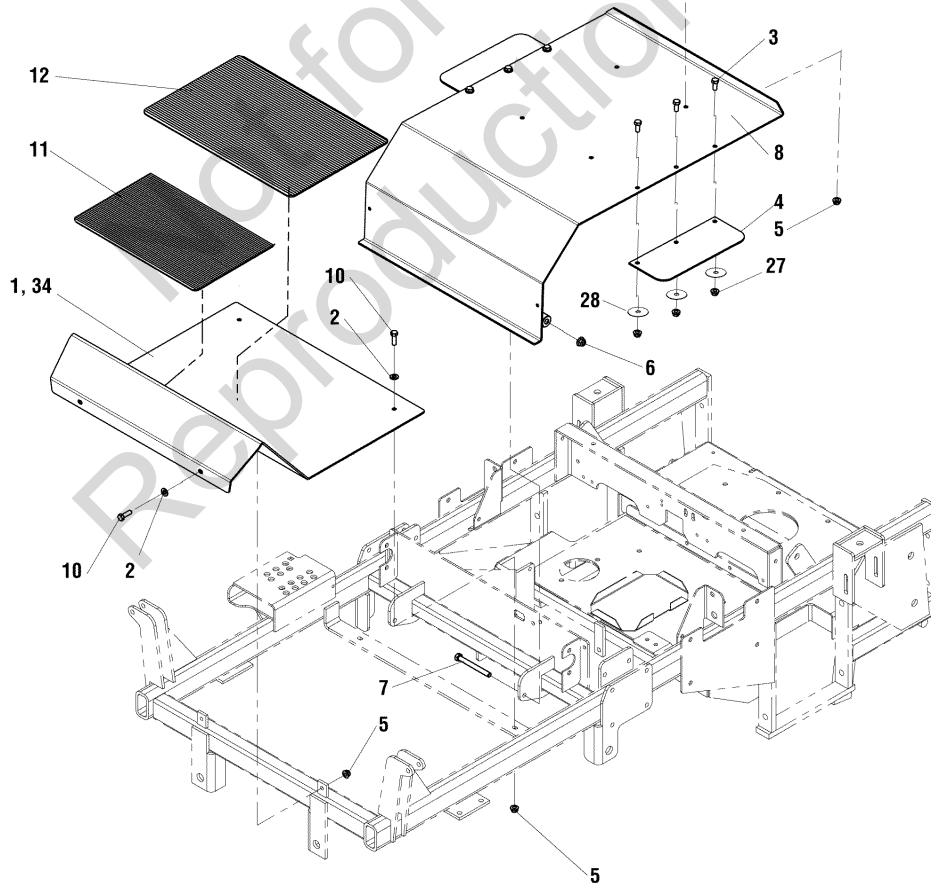
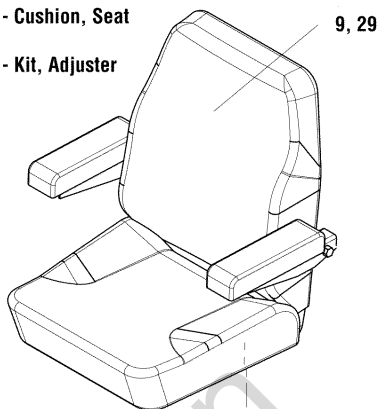
Suspension Seat Replacement Parts

30 - Arm Rest (Set of Two)

31 - Cushion, Back

32 - Cushion, Seat

33 - Kit, Adjuster



**The above parts group applies to the following Mfg. Nos.:**

- |                                 |                             |
|---------------------------------|-----------------------------|
| 5901183 (IS3100ZBV32)           | 5901186 (IS3100ZBV3061)     |
| 5900613 (IS3100ZBV3261)         | 5900753 (IS3100ZKAV37SS)    |
| 5900716 (IS3100ZBV30/61 AUS/NZ) | 5900736 (IS3100ZBV3261 CAL) |
| 5900612 (IS3100ZK3061)          | 5900752 (IS3100ZKAV3761SS)  |
| 5900611 (IS3100ZLKAV2661)       |                             |
| 5900717 (IS3100ZBV32 AUS/NZ)    |                             |

## Seat Mount & Floor Group

REF NO	PART NO.	QTY.	DESCRIPTION
1	5400509B	1	FLOOR PAN, 3000 - RED (S/N: 2013102109 & Below)
2	5025155	4	WASHER, 5/16" SAE
3	5025144X6	6	BOLT, 1/4-20 X 3/4", CARRIAGE
4	5100389	2	PLATE, SEAT, RUBBER FLAP
5	5025392	10	NUT, 5/16-18 HEX NYLOCK FLANGE
6	5025394	3	NUT, 3/8-16 HEX NYLOCK FLANGE
7	5025013X28	2	BOLT, 3/8-16 X 3-1/2" GD5
8	5600303	1	SEAT PLATE W/ DECALS, IS3100Z (Includes Safety Decals.)
9	5022955	1	SEAT, DELUXE, GRAY (COMPLETE) (NON SUSPENSION SEAT MODEL)
9	5022955X1	1	SEAT BOTTOM COVER (SV) (NON SUSPENSION SEAT REPLACEMENT PARTS)
9	5022955X2	1	SEAT BACK COVER (SV) (NON SUSPENSION SEAT REPLACEMENT PARTS)
9	5022955X3	2	ARM REST SET (SV) (INCLUDES ARM REST PADS - NON SUSPENSION SEAT REPLACEMENT PARTS)
9	5022955X4	2	ARM REST PADS (SV) (NON SUSPENSION SEAT REPLACEMENT PARTS)
9	5020930X3	1	SEAT ADJUSTMENT RAILS (SV) (SET OF 2 - NON SUSPENSION SEAT REPLACEMENT PARTS)
9	5100652	1	SPRING, EXTENSION, 4" SEAT ADJUSTMENT (SV) (NOT SHOWN - NON SUSPENSION SEAT REPLACEMENT PARTS)
10	5025011X8	4	BOLT, 5/16-18 X 1" GD5
11	5101007	1	SAFETY WALK, FLOOR REST
12	5100999	1	SAFETY WALK, FLOOR PLATE
13	5023310	1	MODULE, TIME DELAY
14	5100356	1	SPRING, .688 ID X .130 WIRE DIA 4.25
15	5021379	2	GROMMET, 7/8"
16	5021518	1	FUSE, BLOCK
16	5022805	1	COVER, VINYL FUSE BLOCK (Not shown.)
17	5022094	1	SWITCH PLUNGER N.C. / N.C.
18	5022612	2	BUMPER, RUBBER 5/16-18
19	5046586	1	SPACER, .38 X .50 X 5.06
20	5025326	1	WASHER 3/8" X 2
21	5025013X48	1	BOLT, 3/8-16 X 6" GD5
22	5025156	1	WASHER 3/8" SAE
23	5025029	2	NUT, 10-24 HEX
24	5025271	4	NUT, #10-24 HEX NYLON LOCK
25	5025179X4	6	SCREW, #10-24 X 1/2" ROUND SLOTTED
27	5025391	6	NUT, 1/4-20 HEX NYLOCK FLANGE
28	5025288	6	WASHER, 1/4" FENDER
29	5101214	1	SEAT, SUSPENSION TYPE, BLACK (SUSPENSION SEAT MODEL)
30	5101214X1	1	KIT, ARM REST, S/S (SV) (SUSPENSION SEAT REPLACEMENT PARTS)
31	5101214X2	1	CUSHION, BACK, S/S (SV) (SUSPENSION SEAT REPLACEMENT PARTS)
32	5101214X3	1	CUSHION, SEAT, S/S (SV) (SUSPENSION SEAT REPLACEMENT PARTS)
33	5101214X4	1	KIT, ADJUSTER, S/S (SV) (SUSPENSION SEAT REPLACEMENT PARTS)
34	5404101B	1	PLATE, FLOOR PAN, IS3100 - RED (S/N: 2013102110 & Above)

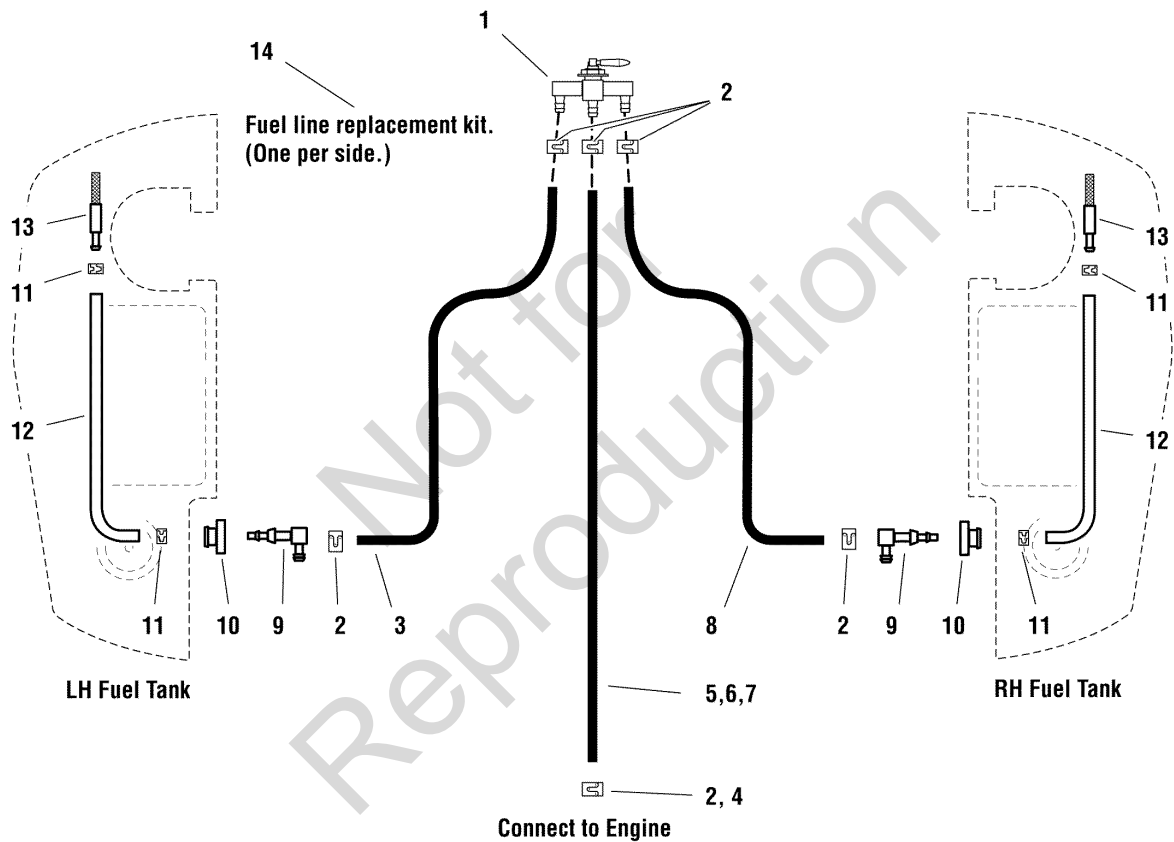
### Footnotes

**The above parts group applies to the following Mfg. Nos.:**

5901183 (IS3100ZBV32)	5901186 (IS3100ZBV3061)
5900613 (IS3100ZBV3261)	5900753 (IS3100ZKAV37SS)
5900716 (IS3100ZBV30/61 AUS/NZ)	5900736 (IS3100ZBV3261 CAL)
5900612 (IS3100ZK3061)	5900752 (IS3100ZKAV3761SS)
5900611 (IS3100ZLKAV2661)	
5900717 (IS3100ZBV32 AUS/NZ)	

## Fuel Supply Hose & Tank Replacement Parts Group

NOTE: Unless noted otherwise,  
use the standard hardware torque  
specification chart.



### The above parts group applies to the following Mfg. Nos.:

5901183 (IS3100ZBV32)	5900717 (IS3100ZBV32 AUS/NZ)
5900752 (IS3100ZKAV3761SS)	5900736 (IS3100ZBV3261 CAL)
5900613 (IS3100ZBV3261)	5900612 (IS3100ZK3061)
5900716 (IS3100ZBV30/61 AUS/NZ)	5900753 (IS3100ZKAV37SS)
5900611 (IS3100ZLKAV2661)	
5901186 (IS3100ZBV3061)	

## Fuel Supply Hose & Tank Replacement Parts Group

REF NO	PART NO.	QTY.	DESCRIPTION
1	5023358	1	VALVE, FUEL, STR. OUTLET
2	5020835	5	CLAMP, HOSE, EXTERNAL, 1/2 - RED
3	5050831X49	1	HOSE, 1/4" FUEL, 49.00"
4	5022922	1	CLAMP, #4 HOSE, STAINLESS (Kawasaki model only.)
5	5050831X5	1	HOSE, 1/4" FUEL, 5.00" (Kawasaki model only.)
6	5050831X10	1	HOSE, 1/4" FUEL, 10.00" (Kohler model only.)
7	5050831X41	1	HOSE, 1/4" FUEL, 41.00" (Briggs & Stratton model only.)
8	5050831X12	1	HOSE, 1/4" FUEL, 12.00"
9	-	2	SEE REF # 14
10	5600050	2	KIT, BUSHING, FUEL
11	-	4	SEE REF # 14
12	-	2	SEE REF # 14
13	-	2	SEE REF # 14
14	5101144	2	HOSE ASSEMBLY (Includes Ref. Nos 9,10,11,12, and 13.)

Not for  
Reproduction

### Footnotes

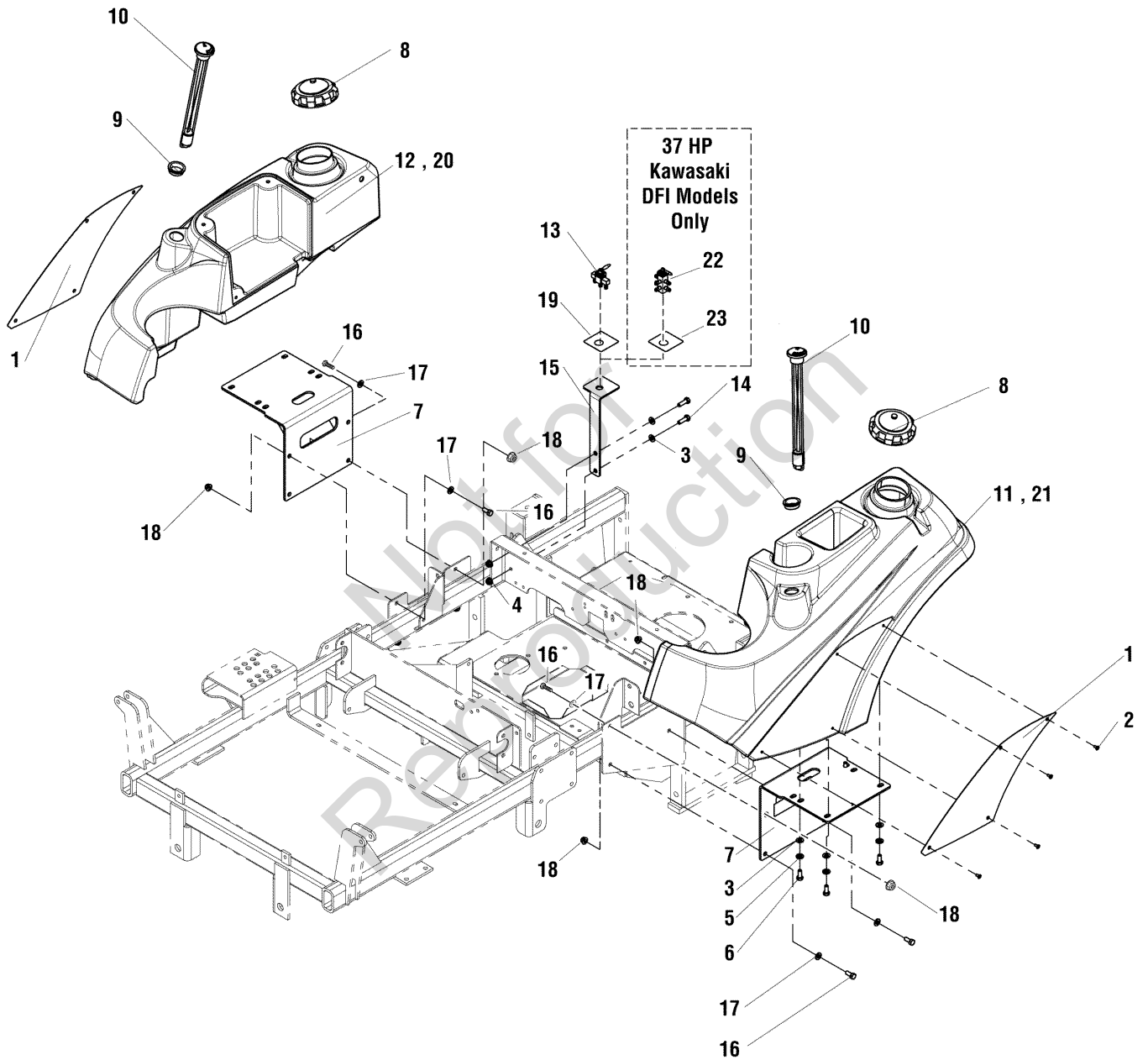
---

**The above parts group applies to the following Mfg. Nos.:**

5901183 (IS3100ZBV32)	5900717 (IS3100ZBV32 AUS/NZ)
5900752 (IS3100ZKAV3761SS)	5900736 (IS3100ZBV3261 CAL)
5900613 (IS3100ZBV3261)	5900612 (IS3100ZK3061)
5900716 (IS3100ZBV30/61 AUS/NZ)	5900753 (IS3100ZKAV37SS)
5900611 (IS3100ZLKAV2661)	
5901186 (IS3100ZBV3061)	

## Fuel Tank & Mount Group

NOTE: Unless noted otherwise,  
use the standard hardware torque  
specification chart.



The above parts group applies to the following Mfg. Nos.:

5900611 (IS3100ZLKAV2661)	5900612 (IS3100ZK3061)
5901186 (IS3100ZBV3061)	5900717 (IS3100ZBV32 AUS/NZ)
5900613 (IS3100ZBV3261)	5900716 (IS3100ZBV30/61 AUS/NZ)
5901183 (IS3100ZBV32)	5900752 (IS3100ZKAV3761SS)
5900753 (IS3100ZKAV37SS)	
5900736 (IS3100ZBV3261 CAL)	

## Fuel Tank & Mount Group

REF NO	PART NO.	QTY.	DESCRIPTION
1	5401095B	2	PLATE, TANK BADGE - IS2000/COBALT - RED
2	5025386	8	SCREW, Allen Head, #10-24 x 3/8"
3	5025155	10	WASHER, 5/16" SAE
4	5025392	2	NUT, 5/16-18 HEX NYLOCK FLANGE
5	5025170	8	WASHER, 5/16" LOCK
6	5025011X6	8	BOLT, 5/16-18 X 3/4" GRD5
7	5400490B	2	WELD, TANK MOUNT - RED
8	5101651	2	CAP, FUEL TANK, 3-1/2" NECK
9	5022917X1	2	GROMMET, FUEL GAGE
10	5022917	2	GAUGE, FUEL 12"
11	5100176	1	TANK, FUEL, IS2000/IS3000-LH
12	5100175	1	TANK, FUEL IS2000 / 3000Z - RH
13	5023358	1	VALVE, FUEL STRAIGHT, OUTLET
14	5025011X8	2	BOLT, 5/16-18 X 1" GRD5 YZ
15	5401108B	1	FUEL, VALVE BRACKET - RED
16	5025013X8	8	BOLT, 3/8-16 X 1" GD5 YZ
17	5025156	8	WASHER, 3/8" SAE
18	5025394	8	NUT, 3/8-16 HEX NYLOCK FLANGE
19	5100342	1	DECAL, FUEL VALVE
20	5102224	1	FUEL TANK, RH, IS3100Z 37HP DFI (37HP Kawasaki DFI Models Only)
21	5102225	1	FUEL TANK, LH, IS3100Z 37HP DFI (37HP Kawasaki DFI Models Only)
22	5100587	1	VALVE, FUEL SHUT-OFF, 11765 (37HP Kawasaki DFI Models Only)
23	5100624	1	DECAL, FUEL VALVE, DFI (37HP Kawasaki DFI Models Only)

## Footnotes

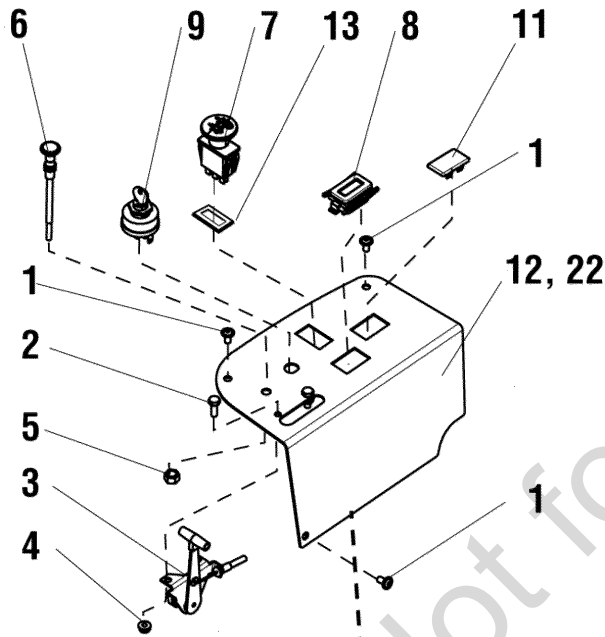
### The above parts group applies to the following Mfg. Nos.:

5900611 (IS3100ZLKAV2661)	5900612 (IS3100ZK3061)
5901186 (IS3100ZBV3061)	5900717 (IS3100ZBV32 AUS/NZ)
5900613 (IS3100ZBV3261)	5900716 (IS3100ZBV30/61 AUS/NZ)
5901183 (IS3100ZBV32)	5900752 (IS3100ZKAV3761SS)
5900753 (IS3100ZKAV37SS)	
5900736 (IS3100ZBV3261 CAL)	

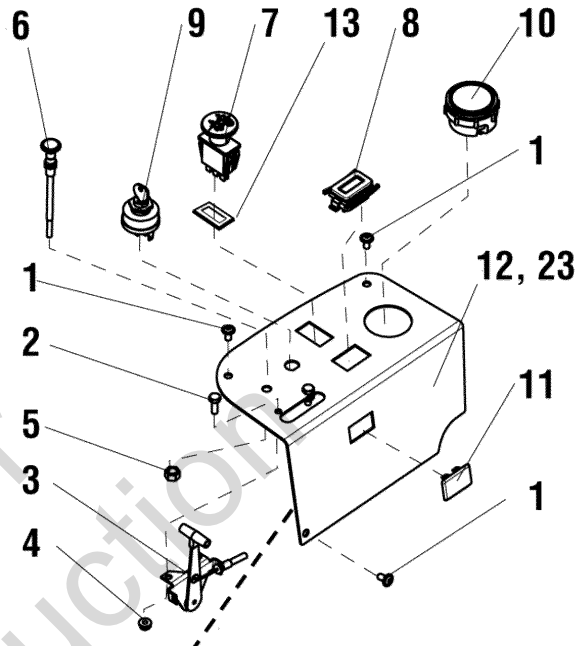
## Instrument Control Group

NOTE: Unless noted otherwise,  
use the standard hardware torque  
specification chart.

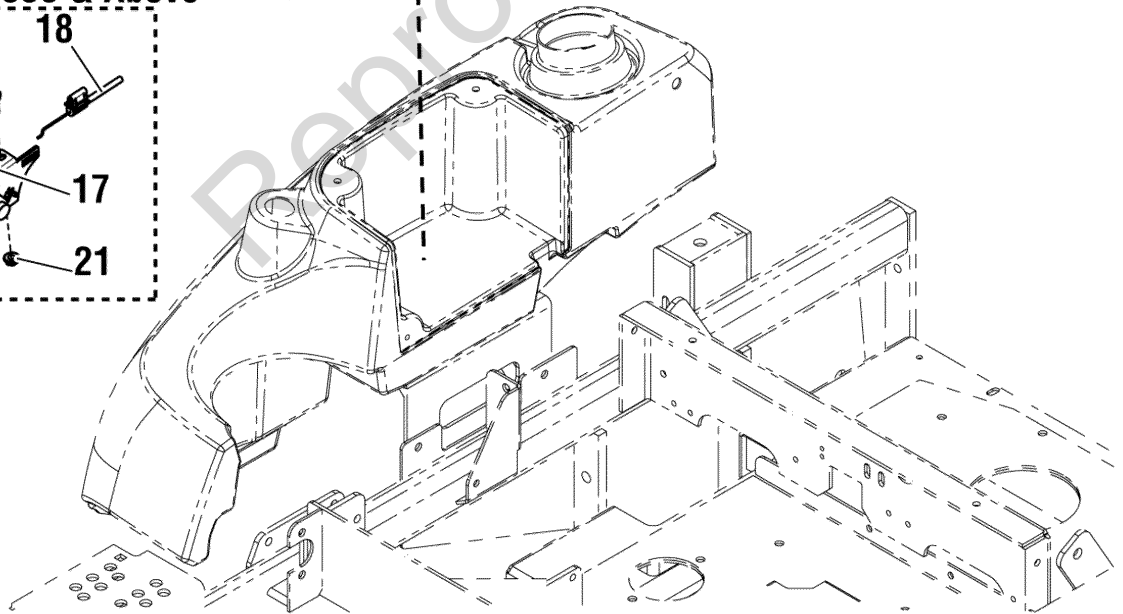
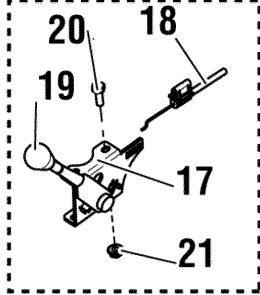
### Kohler, Kawasaki 37HP, and Briggs & Stratton models.



### Kawasaki 26HP Liquid Cooled model.



### All Models - S/N: 2012617339 & Above



### The above parts group applies to the following Mfg. Nos.:

5900753 (IS3100ZKAV37SS)	5901186 (IS3100ZBV3061)
5900612 (IS3100ZK3061)	5900717 (IS3100ZBV32 AUS/NZ)
5900611 (IS3100ZLKAV2661)	5900716 (IS3100ZBV30/61 AUS/NZ)
5900613 (IS3100ZBV3261)	5901183 (IS3100ZBV32)
5900736 (IS3100ZBV3261 CAL)	
5900752 (IS3100ZKAV3761SS)	



## Instrument Control Group

REF NO	PART NO.	QTY.	DESCRIPTION
1	5025299X4	3	SCREW, ALLEN HEAD, 1/4-20X1/2
2	5025010X6	2	BOLT, 1/4-20 X 3/4" GD5 (S/N: 2012617338 & Below)
3	5021662	1	CABLE, THROTTLE CONTROL, 54" (S/N: 2012617338 & Below)
4	5025391	2	NUT, 1/4-20 HEX NYLOCK FLANGE (S/N: 2012617338 & Below)
5	5025035	1	NUT, HEX 3/8-24
6	5061533	1	CABLE, CHOKE CONTROL, 60" (SHORT BODY) (Kohler model only.)
6	5047779	1	CABLE, CHOKE CONTROL, 51" (Z) (Kawasaki Liquid Cooled model only.)
6	5046361	1	CABLE, CHOKE CONTROL, (51") (Kawasaki 37HP and Briggs & Stratton model only.)
7	5022180	1	SWITCH, BLADE ENGAGEMENT
8	5102417	1	HOUR METER
9	5020927	1	SWITCH, IGNITION, 6 POST (Includes Ref. Nos 14, 15, and 16.)
10	5023393	1	GAUGE, WATER TEMPERATURE (Kawasaki Liquid Cooled model only.)
11	1709188	1	HOLE, PLUG DASH
12	5400979A	1	PANEL, CONTROL, IS3100Z LC - BLACK (Kawasaki Liquid Cooled model only - S/N: 2012617338 & Below)
12	5401109A	1	PANEL, CONTROL, IS3100Z - BLACK (Kohler, Kawasaki 37HP and Briggs & Stratton models only - S/N: 2012617338 & Below)
13	5022222	1	RING, SWITCH RETAINER
14	5022789	1	KEY, IGNITION MOLDED SET (Not shown)
15	5022790	1	COVER (Not shown)
16	5022791	1	PLASTIC NUT (Not shown)
17	5101537	1	LEVER, THROTTLE CONTROL, HEAVY DUTY (S/N: 2012617339 & Above)
18	5101072	1	CABLE, THROTTLE, 52" (S/N: 2012617339 & Above)
19	5046360X1	1	KNOB, THROTTLE CONTROL (SV) (S/N: 2012617339 & Above)
20	5025179X6	2	SCREW, #10-24 X 3/4" (S/N: 2012617339 & Above)
21	5025271	2	NUT, #10-24 HEN NYLON LOCK (S/N: 2012617339 & Above)
22	5403386A	1	PANEL, CONTROL, IS3000Z LC (Kawasaki Liquid Cooled model only - S/N: 2012617339 & Above)
23	5403387A	1	PANEL, CONTROL, IS3000Z (Kohler, Kawasaki 37HP and Briggs & Stratton models only - S/N: 2012617339 & Above)

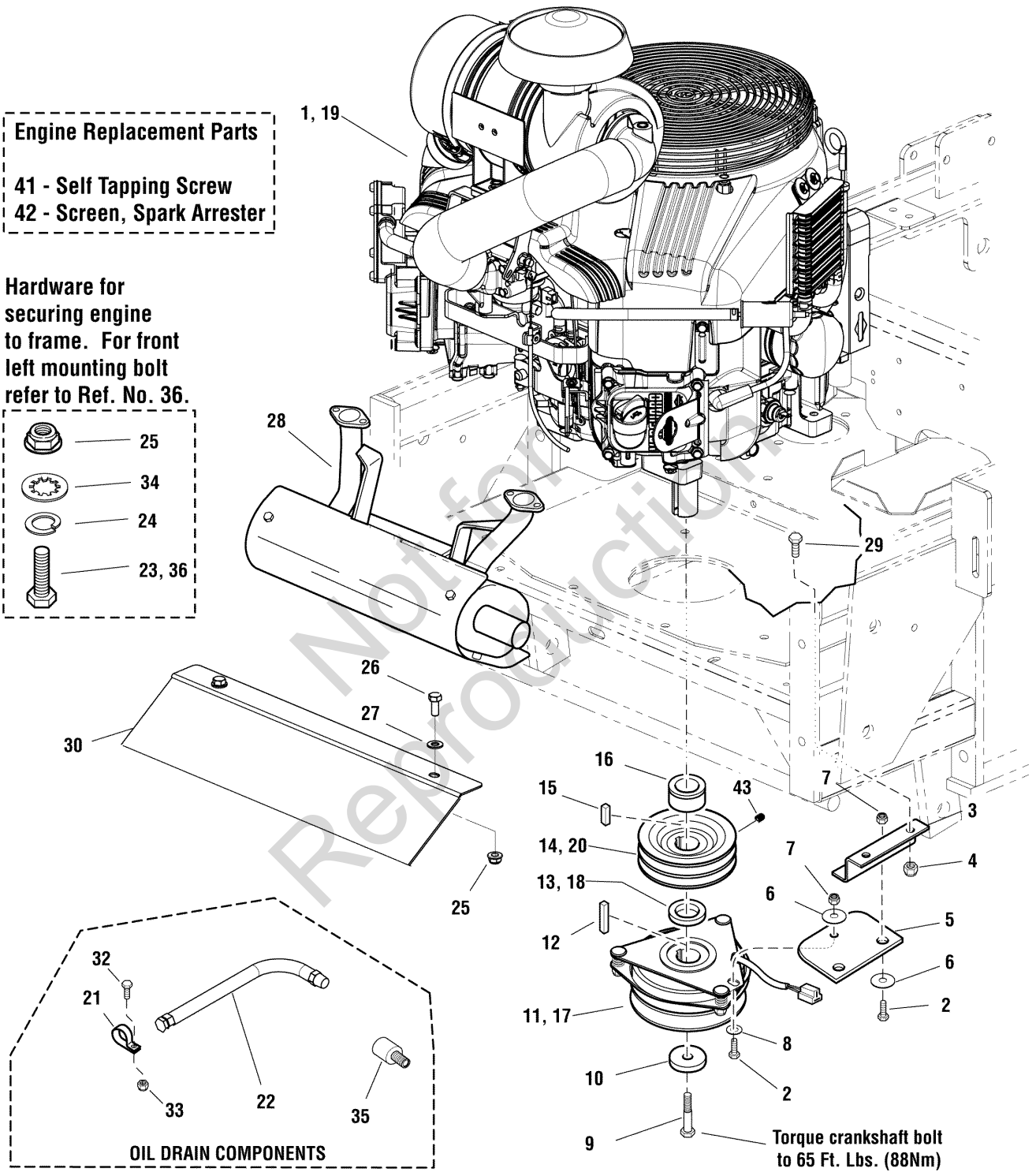
## Footnotes

### The above parts group applies to the following Mfg. Nos.:

5900753 (IS3100ZKAV37SS)	5901186 (IS3100ZBV3061)
5900612 (IS3100ZK3061)	5900717 (IS3100ZBV32 AUS/NZ)
5900611 (IS3100ZLKAV2661)	5900716 (IS3100ZBV30/61 AUS/NZ)
5900613 (IS3100ZBV3261)	5901183 (IS3100ZBV32)
5900736 (IS3100ZBV3261 CAL)	
5900752 (IS3100ZKAV3761SS)	

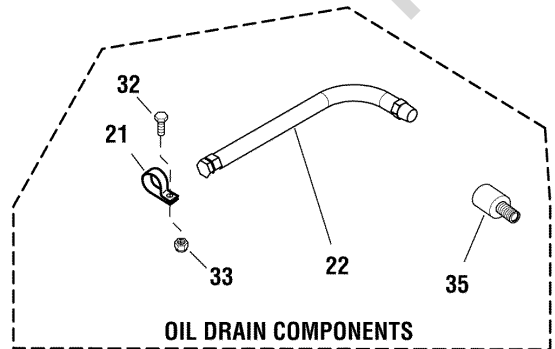
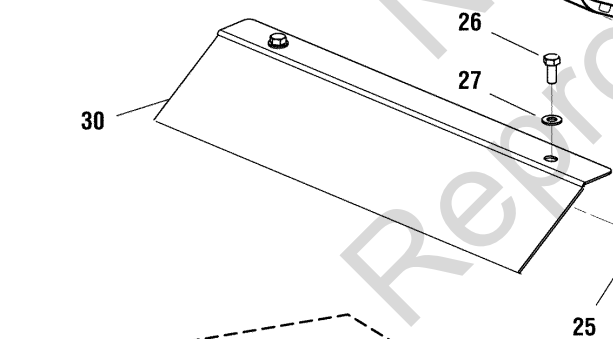
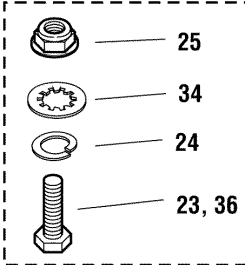
# Engine & PTO Group - Briggs & Stratton 30HP (All) & 32HP (S/N: 2013556395 & Below)

NOTE: Unless noted otherwise, use the standard hardware torque specification chart.



**Engine Replacement Parts**  
**41 - Self Tapping Screw**  
**42 - Screen, Spark Arrester**

**Hardware for securing engine to frame. For front left mounting bolt refer to Ref. No. 36.**



**Torque crankshaft bolt to 65 Ft. Lbs. (88Nm)**

The above parts group applies to the following Mfg. Nos.:

- 5901183 (IS3100ZBV32)
- 5901186 (IS3100ZBV3061)
- 5900717 (IS3100ZBV32 AUS/NZ)
- 5900613 (IS3100ZBV3261)
- 5900716 (IS3100ZBV30/61 AUS/NZ)
- 5900736 (IS3100ZBV3261 CAL)

**Engine & PTO Group - Briggs & Stratton 30HP (All) & 32HP (S/N: 2013556395 & Below)**

REF NO	PART NO.	QTY.	DESCRIPTION
1	-	1	ENGINE, 32 HP BRIGGS & STRATTON (32HP Briggs & Stratton models only.)
2	5025011X8	3	BOLT, 5/16-18 X 3/4 GD5 YZ
3	5046416B	1	CLUTCH ANCHOR - RED
4	5025394	6	NUT, 3/8-16 HEX NYLOCK FLANGE
5	5043636	1	CLUTCH ANCHOR PAD
6	5025165	3	WASHER, 3/8" FENDER
7	5025392	5	NUT, 5/16-18 HEX NYLOCK FLANGE
8	5025155	2	WASHER, 5/16" SAE
9	5045938	1	BOLT, CRANKSHAFT, 7/16"X2-1/4
10	5045475	1	SPACER, .45 X 1.88 X .38 (32HP Briggs & Stratton models only.)
11	5023233	1	ELECTRIC CLUTCH (32HP Briggs & Stratton models only.)
12	5050407X16	1	KEY, 1/4 SQ. X 2 (32HP Briggs & Stratton models only.)
13	5042945	1	SPACER, 1.13 X 2.00 X .19 (32HP Briggs & Stratton models only.)
14	5047075	1	PULLEY, CRANKSHAFT (DOUBLE A) (32HP Briggs & Stratton models only.)
15	5050407X8	1	KEY, 1/4" SQ. X 1"
16	5101554	1	SPACER, 1.13 X 1.75 X 1.090, BLACK ZINC
17	5100875	1	CLUTCH, WARNER, # 5218-158 (30HP Briggs & Stratton models only.)
18	5044062	1	SPACER, 1.13 X 1.75 X .50 (30HP Briggs & Stratton models only.)
19	-	1	ENGINE, 30 HP BRIGGS & STRATTON (30HP Briggs & Stratton models only.)
20	5100874	1	PULLEY, 5.25 OD X 1.126 ID (30HP Briggs & Stratton models only.)
21	5021500	1	CLAMP, VINYL
22	5048681	1	HOSE, OIL DRAIN
23	5025011X12	3	BOLT, 5/16-18 X 1-1/2" GD5 YZ (For front left engine mounting bolt refer to Ref. No. 36)
24	5025170	4	WASHER, 5/16" LOCK
25	5025392	6	NUT, 5/16-18 HEX NYLOCK FLANGE
26	5025011X6	2	BOLT, 5/16-18 X 3/4" GD5
27	5025155	2	WASHER, 5/16" SAE
28	843906X1	1	MUFFLER
29	5025013X8	2	BOLT 3/8-16 X 1" GD5 YZ
30	5402351B	1	PLATE, HEAT SHIELD, FRAME
31	841238	1	ELEMENT, AIR CLEANER, SECONDARY (Not shown)
32	5025010X8	1	BOLT, 1/4-20 X 1", GD5
33	5025391	1	NUT, 1/4-20 HEX NYLOCK FLANGE
34	5025188	4	WASHER, 5/16" INT. TOOTH LOCK
35	5100366	1	METRIC ADAPTER, M14-1.5" TO 3/8 NPTF
36	5025011X16	1	BOLT, 5/16-18 X 2" GD5 YZ (Front left engine mounting bolt)
37	809268	1	RAIN CAP (Not shown)
38	809218	1	AIR CLEANER ASSEMBLY, COMPLETE (Not shown)
39	841237	1	ELEMENT, AIR CLEANER, PRIMARY (Not shown)
40	842921	1	FILTER, OIL, BRIGGS & STRATTON (Not shown)
41	5025470	1	SELF TAPPING SCREW (Not shown)

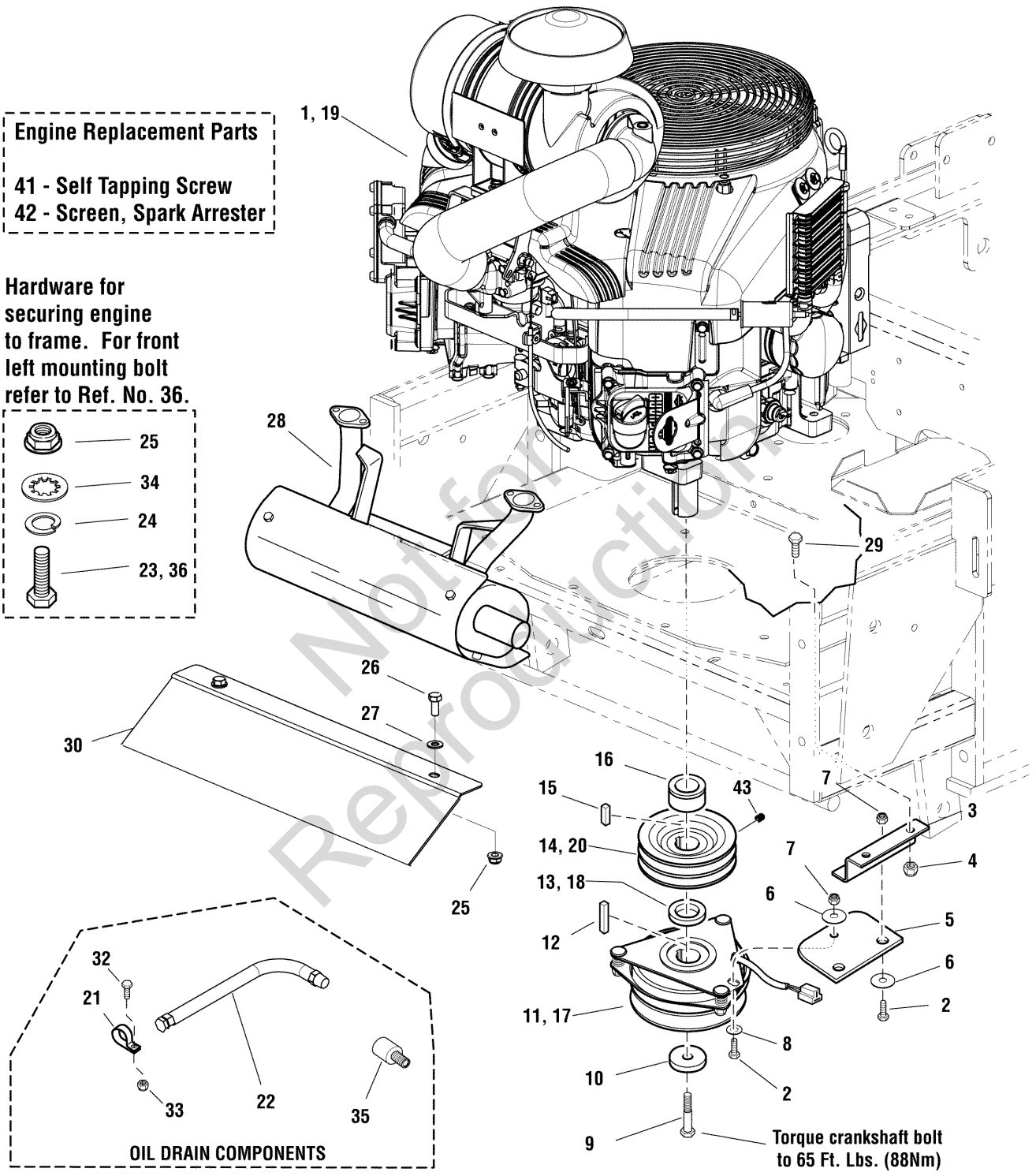
**Footnotes**

**The above parts group applies to the following Mfg. Nos.:**

- 5901183 (IS3100ZBV32)
- 5901186 (IS3100ZBV3061)
- 5900717 (IS3100ZBV32 AUS/NZ)
- 5900613 (IS3100ZBV3261)
- 5900716 (IS3100ZBV30/61 AUS/NZ)
- 5900736 (IS3100ZBV3261 CAL)

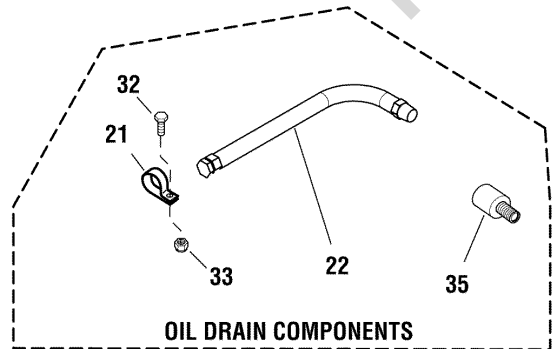
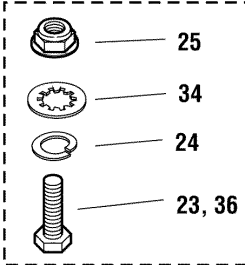
# Engine & PTO Group - Briggs & Stratton 30HP (All) & 32HP (S/N: 2013556395 & Below)

NOTE: Unless noted otherwise, use the standard hardware torque specification chart.



**Engine Replacement Parts**  
 41 - Self Tapping Screw  
 42 - Screen, Spark Arrester

**Hardware for securing engine to frame. For front left mounting bolt refer to Ref. No. 36.**



**Torque crankshaft bolt to 65 Ft. Lbs. (88Nm)**

The above parts group applies to the following Mfg. Nos.:

- 5901183 (IS3100ZBV32)
- 5901186 (IS3100ZBV3061)
- 5900717 (IS3100ZBV32 AUS/NZ)
- 5900613 (IS3100ZBV3261)
- 5900716 (IS3100ZBV30/61 AUS/NZ)
- 5900736 (IS3100ZBV3261 CAL)

**Engine & PTO Group - Briggs & Stratton 30HP (All) & 32HP (S/N: 2013556395 & Below)**

REF NO	PART NO.	QTY.	DESCRIPTION
42	842859	1	SCREEN, ARRESTER (Not shown)
43	5025531	1	SET SCREW, 5/16-18 X 3/8, KNUURL, W/PATCH
44	5101492	1	TIE WRAP, 24" LONG (Not shown.)

Not for  
Reproduction

**Footnotes**

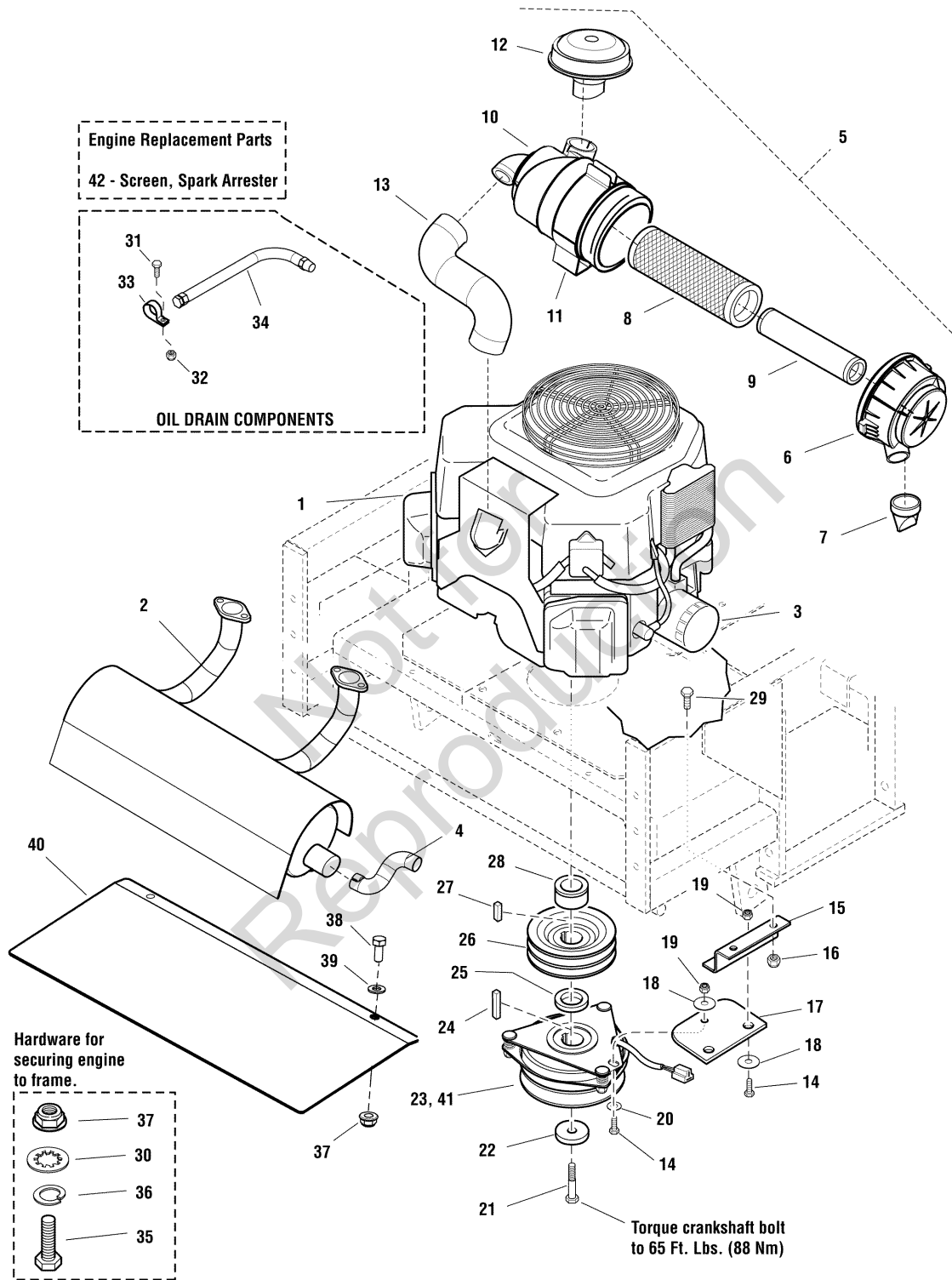
---

**The above parts group applies to the following Mfg. Nos.:**

- 5901183 (IS3100ZBV32)
- 5901186 (IS3100ZBV3061)
- 5900717 (IS3100ZBV32 AUS/NZ)
- 5900613 (IS3100ZBV3261)
- 5900716 (IS3100ZBV30/61 AUS/NZ)
- 5900736 (IS3100ZBV3261 CAL)

# Engine & PTO Group - Kohler 30 HP

NOTE: Unless noted otherwise, use the standard hardware torque specification chart.



The above parts group applies to the following Mfg. Nos.:  
5900612 (IS3100ZK3061)

## Engine & PTO Group - Kohler 30 HP

REF NO	PART NO.	QTY.	DESCRIPTION
1	-	1	ENGINE, 30 HP KOHLER
2	5100130X2	1	MUFFLER, 30 HP KOHLER
3	5021144X1	1	OIL FILTER
4	5100517	1	EXHAUST EXTENSION, 30 HP
4	5100518	1	CLAMP, EXHAUST EXTENSION (Not shown.)
5	5022892X4	1	KIT, 5.5 HD AIR CLEANER (Includes Ref. Nos 6 - 13)
6	5022892X5	1	END CAP
7	5022892X6	1	DUST VALVE
8	5022892X1	1	PRIMARY PAPER ELEMENT
9	5022892X2	1	SECONDARY ELEMENT
10	5022892X7	1	HOUSING
11	5022892X8	1	HOUSING MOUNT BRACKET
12	5022892X3	1	RAIN COVER
13	5100130X1	1	INLET HOSE
14	5025011X8	3	BOLT, 5/16-18 X 1" GD5 YZ
15	5046416B	1	CLUTCH ANCHOR - RED
16	5025394	6	NUT, 3/8-16 HEX NYLOCK FLANGE
17	5043636	1	CLUTCH ANCHOR PAD
18	5025165	3	WASHER, 3/8" FENDER
19	5025392	5	NUT, 5/16-18 HEX NYLOCK FLANGE
20	5025155	2	WASHER, 5/16" SAE
21	5045938	1	BOLT, CRANKSHAFT, 7/16"X2-1/4
22	5045475	1	SPACER, .45 X 1.88 X .38
23	5023233	1	ELECTRIC CLUTCH (S/N: 2000496995 & Below) (S/N: 2000497898 & Above)
24	5050407X16	1	KEY, 1/4 SQ. X 2
25	5042945	1	SPACER, 1.13 X 2.00 X .19
26	5047075	1	PULLEY, CRANKSHAFT
27	5050407X8	1	KEY, 1/4" SQ. X 1"
28	5047033	1	SPACER, 1.13 X 1.75 X 1.03
29	5025013X8	2	BOLT, 3X8-16 X 1" GD5 YZ
30	5025188	4	WASHER, 5/16" INT. TOOTH LOCK
31	5025010X8	1	BOLT, 1/4-20 X 1", GD5
32	5025391	1	NUT, 1/4-20 HEX NYLOCK FLANGE
33	5021500	1	CLAMP, VINYL
34	5048681	1	HOSE, OIL DRAIN
35	5025011X12	4	BOLT, 5/16-18 X 1-1/2" GD5 YZ
36	5025170	4	WASHER, 5/16" LOCK
37	5025392	6	NUT, 5/16-18 HEX NYLOCK FLANGE
38	5025011X6	2	BOLT, 5/16-18 X 3/4" GD5
39	5025155	2	WASHER, 5/16" SAE
40	5401511B	1	PLATE, HEAT SHIELD, 3100ZK - RED

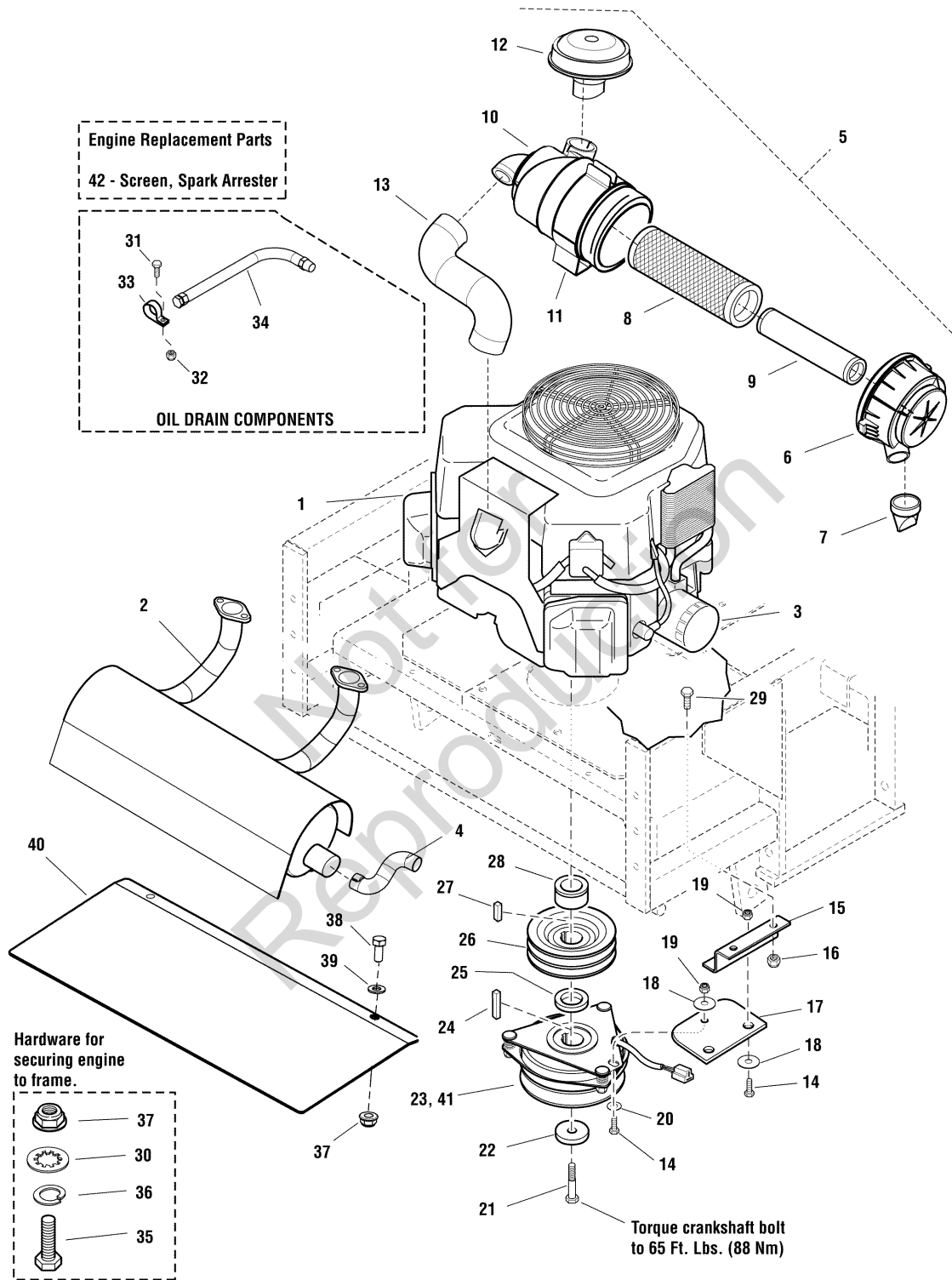
### Footnotes

The above parts group applies to the following Mfg. Nos.:

5900612 (IS3100ZK3061)

# Engine & PTO Group - Kohler 30 HP

NOTE: Unless noted otherwise, use the standard hardware torque specification chart.



The above parts group applies to the following Mfg. Nos.:  
5900612 (IS3100ZK3061)



## Engine & PTO Group - Kohler 30 HP

REF NO	PART NO.	QTY.	DESCRIPTION
41	5100875	1	CLUTCH, WARNER,# 5218-158 (S/N: 2000496996 - 2000497897) (When replacing 5100875 clutch order 5023233 clutch & 5045475 spacer)
42	5101641	1	SCREEN, SPARK ARRESTER (Not shown.)
43	5101492	1	TIE WRAP, 24" LONG (Not shown.)

Not for  
Reproduction

### Footnotes

---

The above parts group applies to the following Mfg. Nos.:  
5900612 (IS3100ZK3061)

# Engine & PTO Group - Kawasaki 26 HP Liquid Cooled

NOTE: Unless noted otherwise, use the standard hardware torque specification chart.

## ENGINE REPLACEMENT PARTS

40 - "Sender, Water Temperature"

41 - "Filter, Engine Oil"

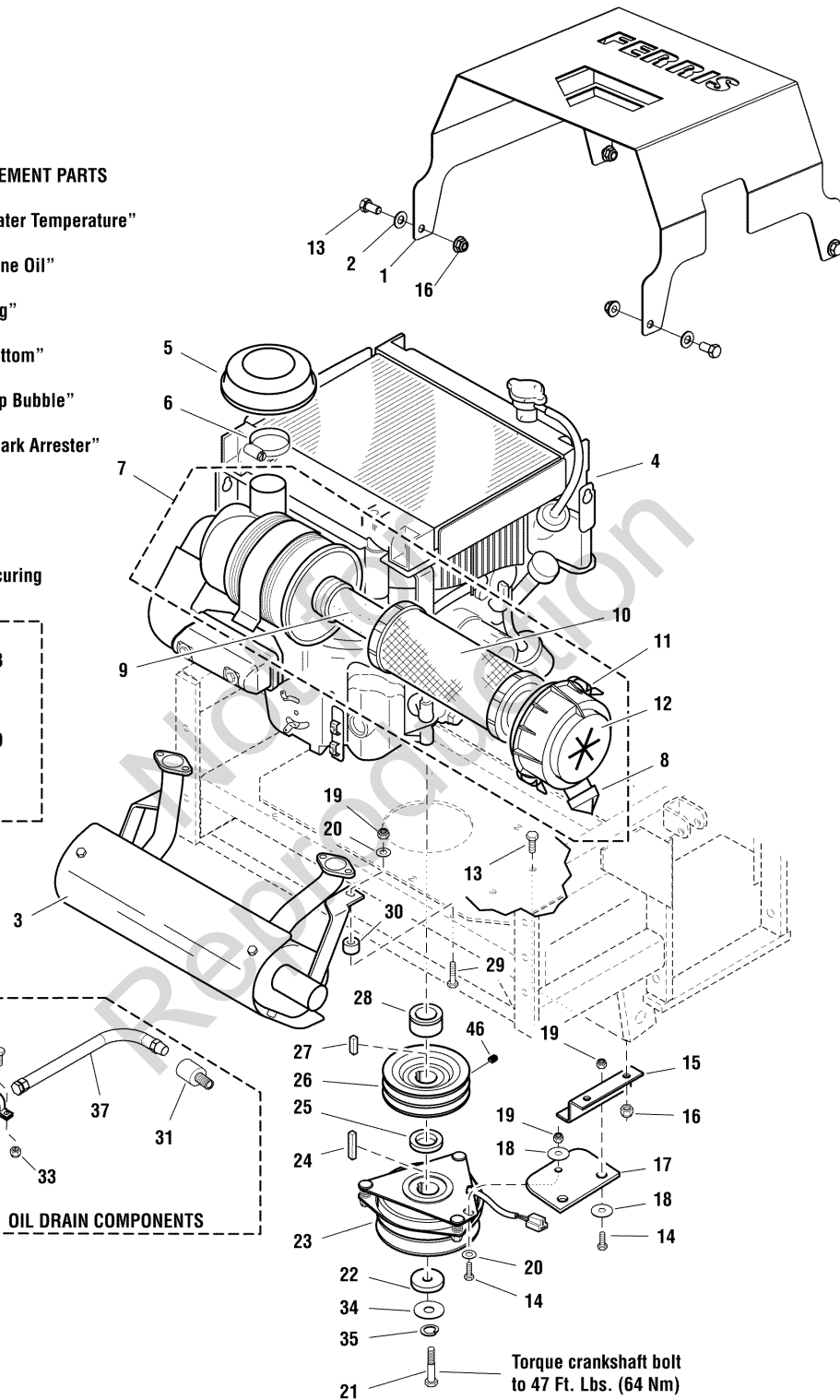
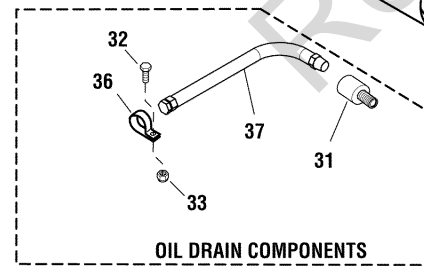
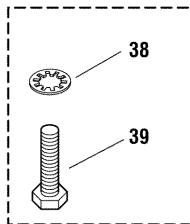
42 - "Clip, Spring"

43 - "Screen, Bottom"

44 - "Screen, Top Bubble"

45 - "Screen, Spark Arrester"

Hardware for securing engine to frame.



The above parts group applies to the following Mfg. Nos.:  
5900611 (IS3100ZLKAV2661)

## Engine & PTO Group - Kawasaki 26 HP Liquid Cooled

REF NO	PART NO.	QTY.	DESCRIPTION
1	5401138B	1	GUARD, RADIATOR SCREEN PROTECTOR - RED
2	5025156	4	WASHER 3/8" SAE
3	5061314	1	MUFFLER, 26HP KAWASAKI LC
4	-	1	ENGINE, 26HP KAWASAKI, LC
5	5023143	1	RAIN CAP
6	5023146	3	CLAMP
7	5023139	1	AIR FILTER ASSEMBLY, COMPLETE
8	5023144	1	RUBBER, Dust Valve
9	5023140	1	AIR FILTER, SECONDARY
10	5023141	1	AIR FILTER, PRIMARY
11	5023147	2	CLAMP, CAP
12	5023138	1	CAP, FILTER CASE
13	5025013X8	6	BOLT, 3/8-16 X 1" GD5
14	5025011X8	3	BOLT, 5/16-18 X 3/4
15	5046416B	1	CLUTCH ANCHOR - RED
16	5025394	6	NUT, 3/8-16 HEX NYLOCK FLANGE
17	5043636	1	CLUTCH ANCHOR PAD
18	5025165	3	WASHER, 3/8" FENDER
19	5025392	5	NUT, 5/16-18 HEX NYLOCK FLANGE
20	5025155	2	WASHER, 5/16" SAE
21	5061502	1	BOLT, CRANKSHAFT, M10 X 65MM
22	5101332	1	SPACER, .406 X 1.88 X .38
23	5023233	1	ELECTRIC CLUTCH
24	5050407X16	1	KEY, 1/4 SQ. X 2
25	5042945	1	SPACER, 1.13 X 2.00 X .19
26	5047075	1	PULLEY, CRANKSHAFT (DOUBLE A)
27	5050407X8	1	KEY, 1/4" SQ. X 1"
28	5047033	1	SPACER, 1.13 X 1.75 X 1.03
29	5025011X14	2	BOLT, 5/16-18 X 1-3/4" GD5
30	5046446	2	SPACER, .39 X 1.00 X .80
31	5022234	1	ADAPTER, OIL DRAIN
32	5025010X8	1	BOLT, 1/4-20 X 1" GD5
33	5025391	1	NUT, 1/4-20 HEX NYLOCK FLANGE
34	5025157	1	WASHER, 7/16" SAE
35	5025336	1	WASHER, LOCK, 10MM
36	5021500	1	CLAMP, VINYL
37	5048681	1	HOSE, OIL DRAIN
38	5025188	4	WASHER, 5/16" INT. TOOTH LOCK
39	5025237X25	4	BOLT, M8-1.25 X 25MM GD8.8
40	5023394	1	SENDER, WATER TEMPERATURE (Not illustrated)
41	5023396X1	1	OIL FILTER, KAWI # 49065-2086 (Not illustrated)

### Footnotes

The above parts group applies to the following Mfg. Nos.:

5900611 (IS3100ZLKAV2661)

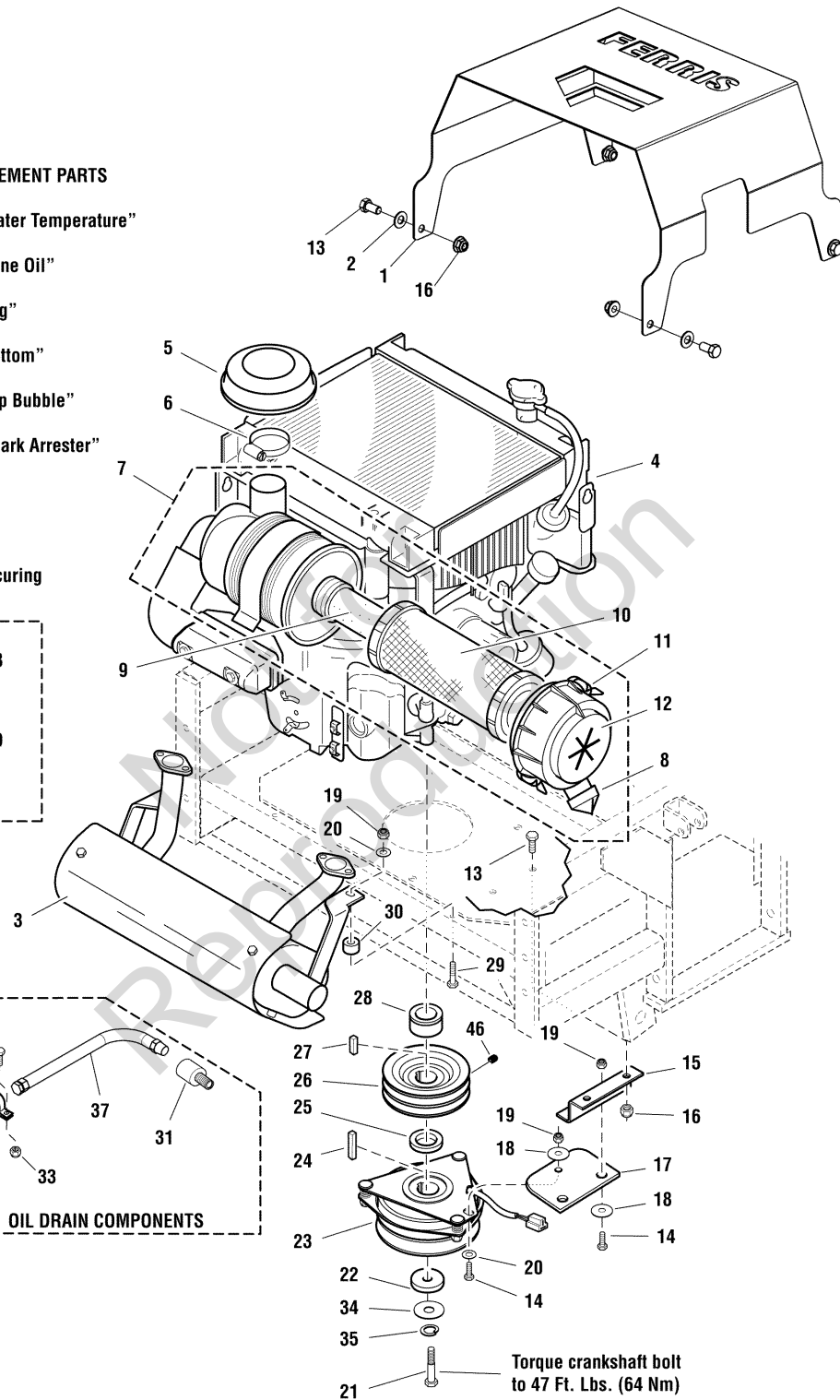
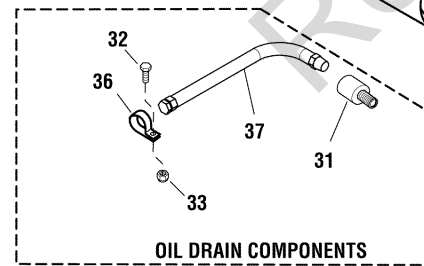
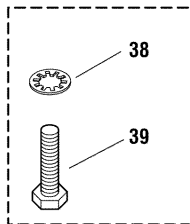
# Engine & PTO Group - Kawasaki 26 HP Liquid Cooled

NOTE: Unless noted otherwise, use the standard hardware torque specification chart.

## ENGINE REPLACEMENT PARTS

- 40 - "Sender, Water Temperature"
- 41 - "Filter, Engine Oil"
- 42 - "Clip, Spring"
- 43 - "Screen, Bottom"
- 44 - "Screen, Top Bubble"
- 45 - "Screen, Spark Arrester"

Hardware for securing engine to frame.



The above parts group applies to the following Mfg. Nos.:  
5900611 (IS3100ZLKAV2661)

### **Engine & PTO Group - Kawasaki 26 HP Liquid Cooled**

<b>REF NO</b>	<b>PART NO.</b>	<b>QTY.</b>	<b>DESCRIPTION</b>
42	-	1	SPRING CLIP, KAWI # 92144-2346 (Not illustrated)
43	-	1	SCREEN, BOTTOM, KAWI # 11053-2104-9H (Not illustrated)
44	-	1	SCREEN, TOP, BUBBLE, KAWI # 14037-2146-9H (Not illustrated)
45	5101492	1	TIE WRAP, 24" LONG (Not illustrated)
45	5101641	1	SCREEN, SPARK ARRESTER (Not illustrated)
46	5025531	1	SET SCREW, 5/16-18 X 3/8, KNURL, W/PATCH

Not for  
Reproduction

#### **Footnotes**

---

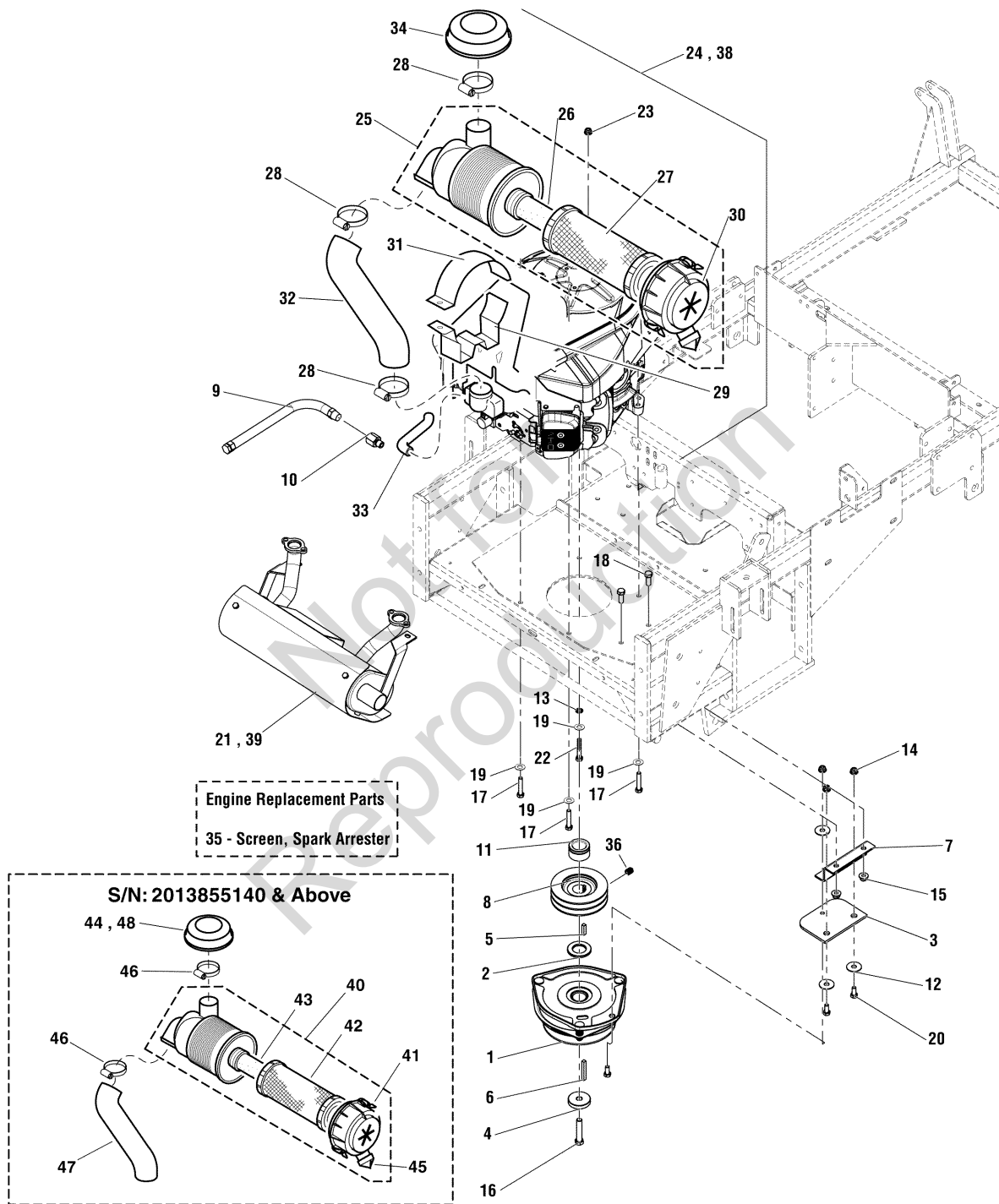
**The above parts group applies to the following Mfg. Nos.:**

5900611 (IS3100ZLKAV2661)

# Engine & PTO Group - Kawasaki 37 HP

NOTE: Unless noted otherwise,  
use the standard hardware torque  
specification chart.

5302164



The above parts group applies to the following Mfg. Nos.:

- 5900753 (IS3100ZKAV37SS)
- 5900752 (IS3100ZKAV3761SS)

## Engine & PTO Group - Kawasaki 37 HP

REF NO	PART NO.	QTY.	DESCRIPTION
1	5023233	1	CLUTCH,#526105,ELECTRIC, GT3.5-FE05
2	5042945	1	SPACER, 1.13 X 2.00 X .19
3	5043636	1	CLUTCH ANCHOR PAD
4	5045475	1	SPACER, .45 X 1.88 X .38
5	5050407X8	1	KEY, 1/4" SQ. X 1.00"
6	5050407X16	1	KEY, 1/4" SQ. X 2.00"
7	5046416	1	ANCHOR, CLUTCH
8	5047075	1	PULLEY, CRANKSHAFT (DOUBLE A)
9	5048681	1	HOSE, OIL DRAIN
10	5022234	1	ADAPTER, OIL DRAIN
11	5047033	1	SPACER, 1.13 X 1.75 X 1.03
12	5025165	3	WASHER, 3/8" FENDER
13	5025480	1	WASHER, 3/8" INT. TOOTH LOCK
14	5025392	3	NUT, 5/16-18 HEX NYLOCK FLANGE
15	5025394	2	NUT, 3/8-16 HEX NYLOCK FLANGE
16	5045289	1	BOLT, CRANKSHAFT, 7/16" X 2-1/2"
17	5025532	3	BOLT, HEX FLG, SER GD5 3/8-16 X 1-1/4, PATCH
18	5025013X8	2	BOLT, 3/8-16 X 1" GD5
19	5025156	1	WASHER, 3/8 SAE
20	5025011X6	3	BOLT, 5/16-18 X 3/4" GRD5
21	5101336	1	MUFFLER, 37HP KAWASAKI
22	5025058X18	1	BOLT, 3/8-16 X 2-1/4 GD5 TFL
23	5025100	3	NUT, 3/8-16 HEX SIDE LOCK
24	-	1	ENGINE, KAWASAKI 37 HP
25	5101540	1	AIR FILTER ASSEMBLY, 27, 34, 37 (37HP Models: S/N: 2013855139 & Below)
26	5101542	1	AIR FILTER, SECONDARY, 27, 34, 37 (37HP Models: S/N: 2013855139 & Below)
27	5101543	1	AIR FILTER, PRIMARY, 27, 34, 37 (37HP Models: S/N: 2013855139 & Below)
28	5101539	3	CLAMP, CAP, 27, 34, 37 (37HP Models: S/N: 2013855139 & Below)
29	5101550	1	BRACKET PLATE, LOWER, 34, 37
30	5101544	1	CAP END, FILTER CASE, 27, 34, 37 (37HP Models: S/N: 2013855139 & Below)
31	5101545	1	BRACKET PLATE, UPPER 27, 34, 37
32	5101551	1	AIR INLET TUBE, 34, 37 (37HP Models: S/N: 2013855139 & Below)
33	5101552	1	BREATHER TUBE, 34, 37
34	5101538	1	RAIN CAP, 27, 34, 37 (37HP Models: S/N: 2013855139 & Below)
35	5101641	1	SCREEN, SPARK ARRESTER (Not Shown)
36	5025531	1	SET SCREW, 5/16-18 X 3/8, KNURL, W/PATCH
37	5101492	1	TIE WRAP, 24" LONG (Not Shown)
38	-	1	ENGINE, KAWASAKI 37HP DFI (37HP Kawasaki DFI Models Only)
39	5101336	1	MUFFLER, 37HP KAWASAKI DFI MODEL (37HP Kawasaki DFI Models Only)
40	5102126X1	1	AIR, FILTER ASSEMBLY (S/N: 2013855140 & Above)
41	5102126X2	1	CASE, AIR FILTER (S/N: 2013855140 & Above)

### Footnotes

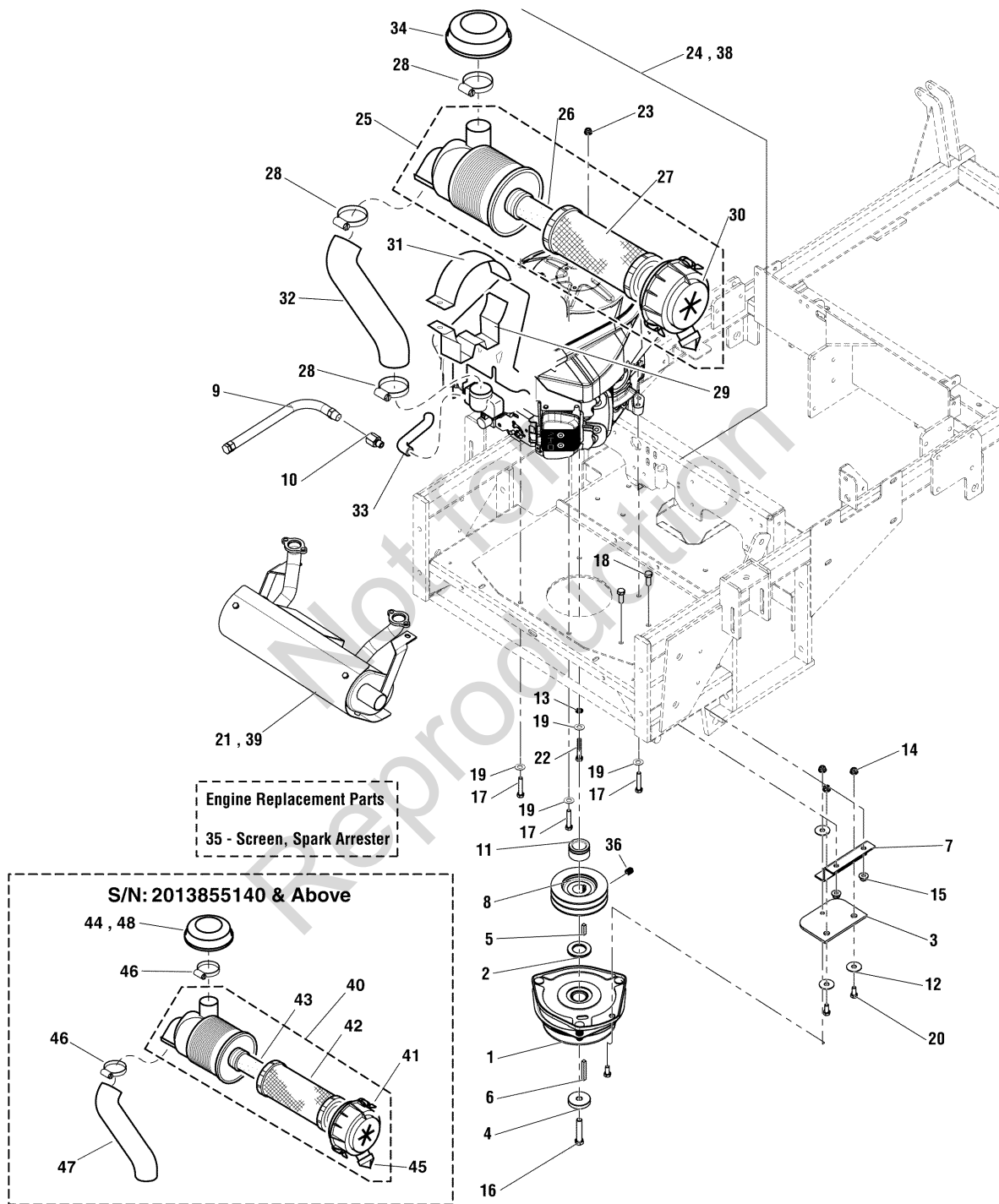
The above parts group applies to the following Mfg. Nos.:

5900753 (IS3100ZKAV37SS)  
5900752 (IS3100ZKAV3761SS)

# Engine & PTO Group - Kawasaki 37 HP

NOTE: Unless noted otherwise,  
use the standard hardware torque  
specification chart.

5302164



The above parts group applies to the following Mfg. Nos.:

- 5900753 (IS3100ZKAV37SS)
- 5900752 (IS3100ZKAV3761SS)



## Engine & PTO Group - Kawasaki 37 HP

REF NO	PART NO.	QTY.	DESCRIPTION
42	5102126X3	1	AIR FILTER, PRIMARY (S/N: 2013855140 & Above)
43	5102126X4	1	AIR FILTER, SECONDARY (S/N: 2013855140 & Above)
44	5102126X7	1	RAIN CAP, AIR FILTER (S/N: 2013855140 & Above)
45	5102126X8	1	DUST VALVE, AIR FILTER (S/N: 2013855140 & Above)
46	5023146	3	CLAMP (S/N: 2013855140 & Above)
47	5102573	1	TUBE, AIR INLET (S/N: 2013855140 & Above)
48	5102206X1	1	RAIN CAP, 37HP KAWA, DFI (DFI Models Only)

Not for  
Reproduction

### Footnotes

---

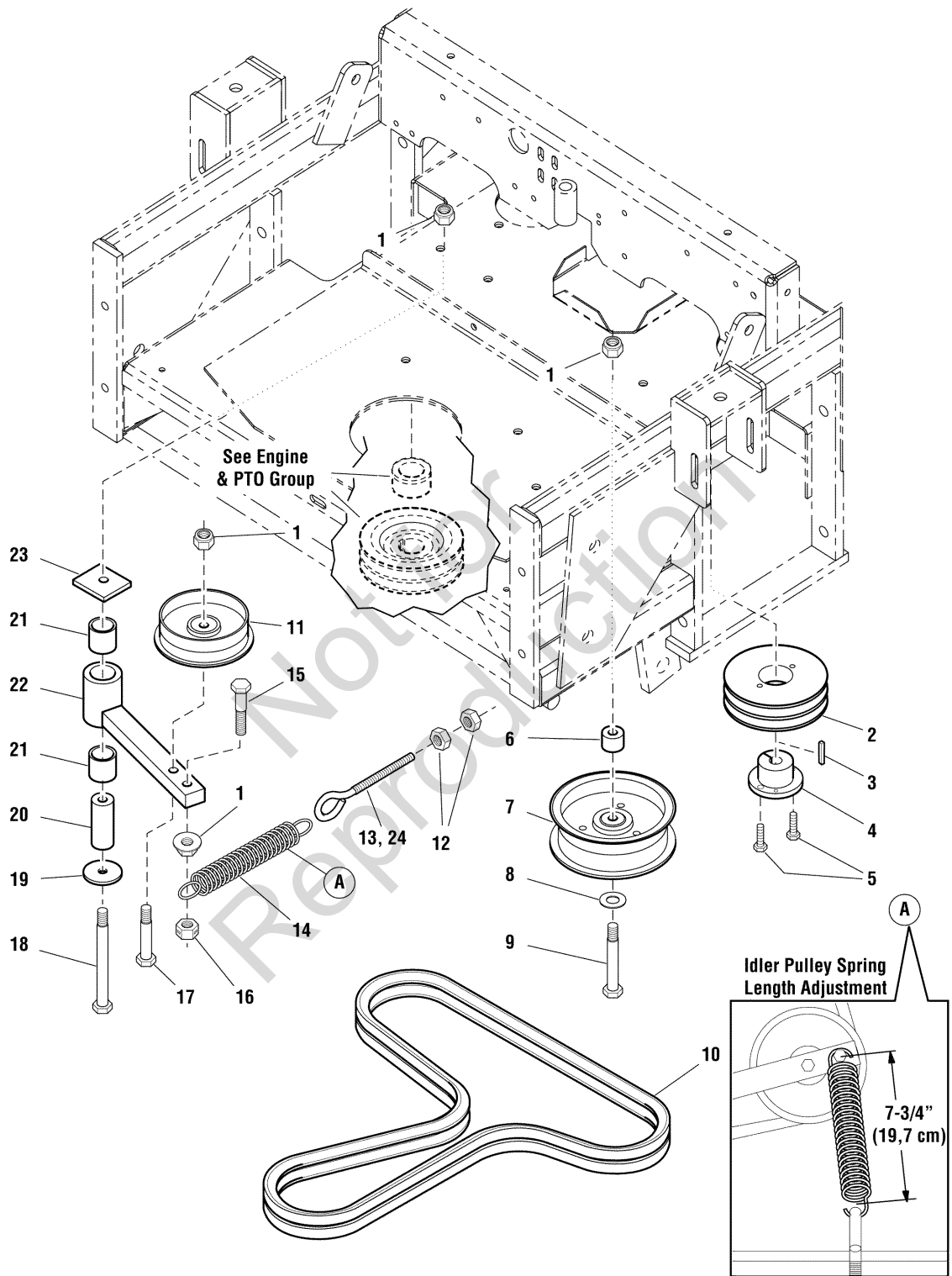
The above parts group applies to the following Mfg. Nos.:

5900753 (IS3100ZKAV37SS)

5900752 (IS3100ZKAV3761SS)

## Pump Drive Group (S/N: 2014192366 & Below)

NOTE: Unless noted otherwise,  
use the standard hardware torque  
specification chart.



**The above parts group applies to the following Mfg. Nos.:**

- |                             |                                 |
|-----------------------------|---------------------------------|
| 5900736 (IS3100ZBV3261 CAL) | 5900717 (IS3100ZBV32 AUS/NZ)    |
| 5900612 (IS3100ZK3061)      | 5900613 (IS3100ZBV3261)         |
| 5901183 (IS3100ZBV32)       | 5900716 (IS3100ZBV30/61 AUS/NZ) |
| 5900753 (IS3100ZKAV37SS)    | 5900611 (IS3100ZLKAV2661)       |
| 5901186 (IS3100ZBV3061)     |                                 |
| 5900752 (IS3100ZKAV3761SS)  |                                 |

**Pump Drive Group (S/N: 2014192366 & Below)**

REF NO	PART NO.	QTY.	DESCRIPTION
1	5025394	4	NUT, 3/8 - 16 HEX NYLOCK FLANGE
2	5022586	2	PULLEY, PUMP DRIVE
3	5023254	2	KEY, 5MM SQ. W/ RADIUS
4	5022587	2	PULLEY, TAPERED HUB
5	5025010X8	4	BOLT, 1/4-20 X 1", GD5
6	5046446	1	SPACER, .39 X 1.00 X .80
7	5022620	1	PULLEY, IDLER 5"
8	5025156	1	WASHER 3/8" SAE
9	5025013X18	1	BOLT, 3/8-16 X 2-1/4" GD YZ
10	5100614	1	BELT, #41-1305, BANDED, 69.5"
11	5022621	1	PULLEY, IDLER, SINGLE FLANGE
12	5025034	2	NUT, 3/8-16 HEX
13	5021812	1	EYE BOLT, 3/8-16 X6", 1" EYE (Shank length: 2-1/2")
14	5022847	1	SPRING, EXTENSION, SWIVEL END
15	5025013X14	1	BOLT, 3/8-16 X 1-3/4" GD5
16	5025100	1	NUT, 3/8-16 HEX SIDE LOCK
17	5025013X18	1	BOLT, 3/8-16 X 2-1/4" GD5
18	5025013X32	1	BOLT, 3/8-16 X 4" GD5
19	5025305	1	WASHER, .41 X 1.75 X .14
20	5102004	1	SPACER, .39 X 1.00 X 2.55, SS
21	5022157	2	BUSHING, BRASS, 1.25X1.0X1.25
22	5046430B	1	WELD, ARM, PUMP DRIVE IDLER - RED
23	5045090	1	SPACER, IDLER PIVOT
24	5102118	1	EYE BOLT, 3/8-16 X 6-7/8, 1" EYE ZP (30HP Briggs & Stratton model only.)

Not for  
Reproduction

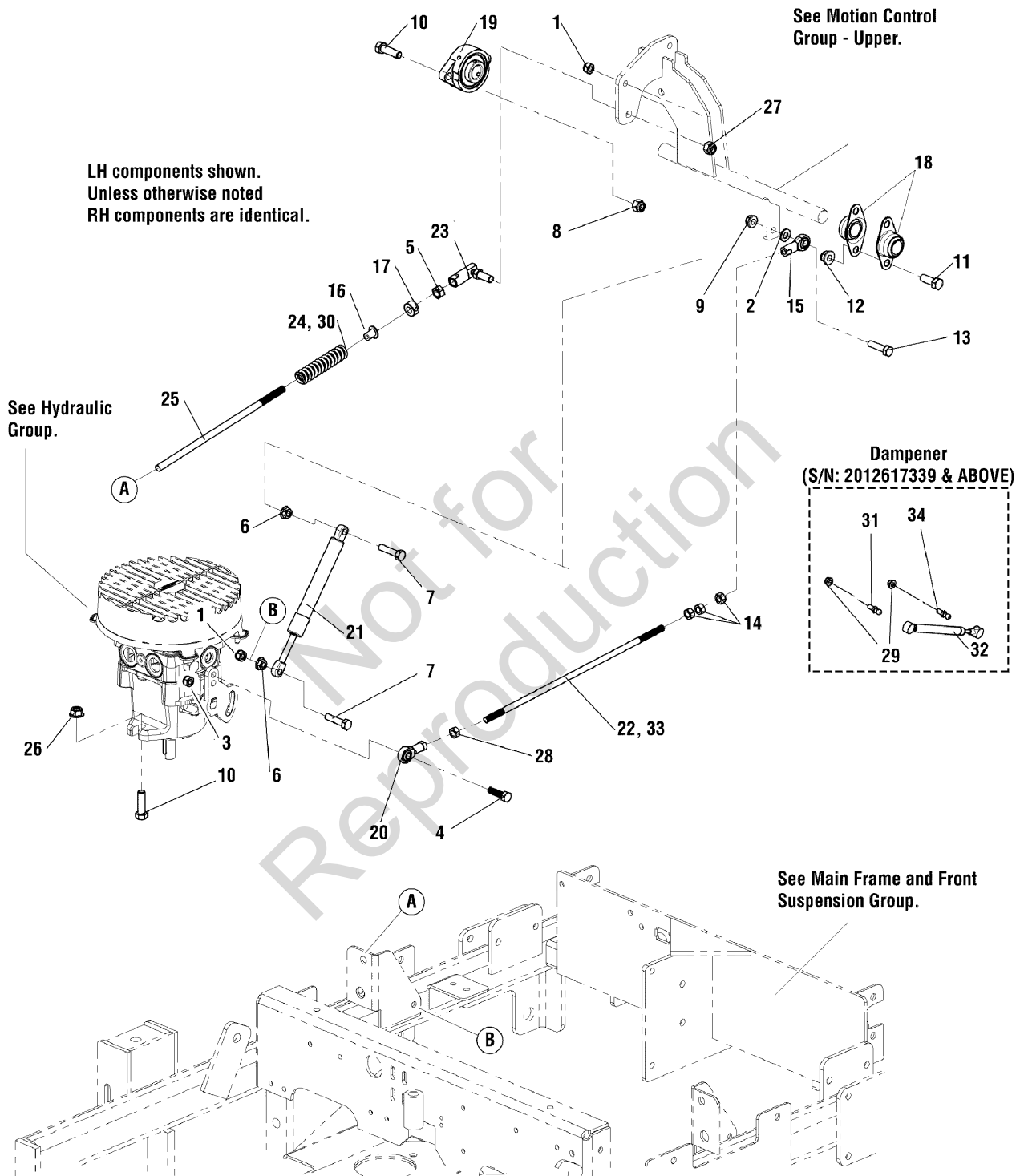
**Footnotes**

**The above parts group applies to the following Mfg. Nos.:**

5900736 (IS3100ZBV3261 CAL)	5900717 (IS3100ZBV32 AUS/NZ)
5900612 (IS3100ZK3061)	5900613 (IS3100ZBV3261)
5901183 (IS3100ZBV32)	5900716 (IS3100ZBV30/61 AUS/NZ)
5900753 (IS3100ZKAV37SS)	5900611 (IS3100ZLKAV2661)
5901186 (IS3100ZBV3061)	
5900752 (IS3100ZKAV3761SS)	

# Motion Control Group - Lower

NOTE: Unless noted otherwise, use the standard hardware torque specification chart.



**The above parts group applies to the following Mfg. Nos.:**

- |                                 |                             |
|---------------------------------|-----------------------------|
| 5900612 (IS3100ZK3061)          | 5900736 (IS3100ZBV3261 CAL) |
| 5901183 (IS3100ZBV32)           | 5900753 (IS3100ZKAV37SS)    |
| 5900716 (IS3100ZBV30/61 AUS/NZ) | 5900611 (IS3100ZLKAV2661)   |
| 5900717 (IS3100ZBV32 AUS/NZ)    | 5900752 (IS3100ZKAV3761SS)  |
| 5900613 (IS3100ZBV3261)         |                             |
| 5901186 (IS3100ZBV3061)         |                             |

## Motion Control Group - Lower

REF NO	PART NO.	QTY.	DESCRIPTION
1	5025354	4	NUT, M8-1.25 Hex Nylon Lock (S/N: 2012617338 & BELOW)
2	5025155	2	WASHER, 5/16" SAE
3	5025057	2	NUT 5/16-18 HEX NYLON LOCK
4	5025011X9	2	BOLT, 5/16-18 X 1-1/8" GD5
5	5025035	2	NUT, HEX 3/8-24
6	5025355	4	NUT, M8-1.25 Hex Serrated Flange (S/N: 2012617338 & BELOW)
7	5025335	4	BOLT, M8-1.25 x 35MM (S/N: 2012617338 & BELOW)
8	5025096	4	NUT, 3/8-16 HEX NYLON LOCK
9	5025057	2	NUT, 5/16-18 HEX NYLON LOCK
10	5025013X10	8	BOLT, 3/8-16 X 1-1/4" GD5
11	5025013X8	2	BOLT, 3/8-16 X 1" GD5
12	5025394	2	NUT, 3/8-16 HEX NYLOCK FLANGE
13	5025011X10	2	BOLT, 5/16-18 X 1-1/4" GD5
14	5025033	6	NUT, HEX 5/16-24
15	5021146	2	BALL JOINT, 5/16-24 Female
16	5101834	2	BUSHING, FLANGE, .375 X .469 X 1.500
17	5010546	2	COLLAR, 3/8" SET
18	5021098	2	BEARING, BRONZE FLANGE, 3/4"
19	5021499	2	BEARING, FLANGE
20	5022628	2	BALL JOINT, 5/16-24 Female LH
21	5600137	2	KIT, DAMPENER CONVERSION IS3100Z (S/N: 2012617338 & BELOW)
22	5100281	2	ROD, HYDRO LINKAGE 3000 (S/N: 2012617338 & BELOW)
23	5020805	2	BALL JOINT, 3/8-24 FEM. STUD.
24	5100385	2	SPRING, COMP. 1/2 ID X .140 WIRE X 3.25 (S/N: 2012617338 & BELOW)
25	5100363	2	ROD, NEUTRAL CONTROL
26	5025128	4	NUT, 3/8-16 HEX LG. SERR FLG
27	5025097	2	NUT, 3/8-24 HEX NYLON LOCK
28	5023212	2	NUT, 5/16-24 HEX, LH
29	5025392	4	NUT, 5/16-18 HEX NYLOCK FLANGE (S/N: 2012617339 & ABOVE)
30	5022645	2	SPRING, REVERSE RETURN (S/N: 2012617339 & ABOVE)
31	5101307	2	BALL STUD, 5/16 X .75 (S/N: 2012617339 & ABOVE)
32	5100940	2	DAMPENER, CONTROL (S/N: 2012617339 & ABOVE)
33	5101057	2	ROD, HYDRO LINKAGE 3000 (S/N: 2012617339 & ABOVE)
34	5100941	2	BALL STUD, 5/16 X .50 (S/N: 2012617339 & ABOVE)

## Footnotes

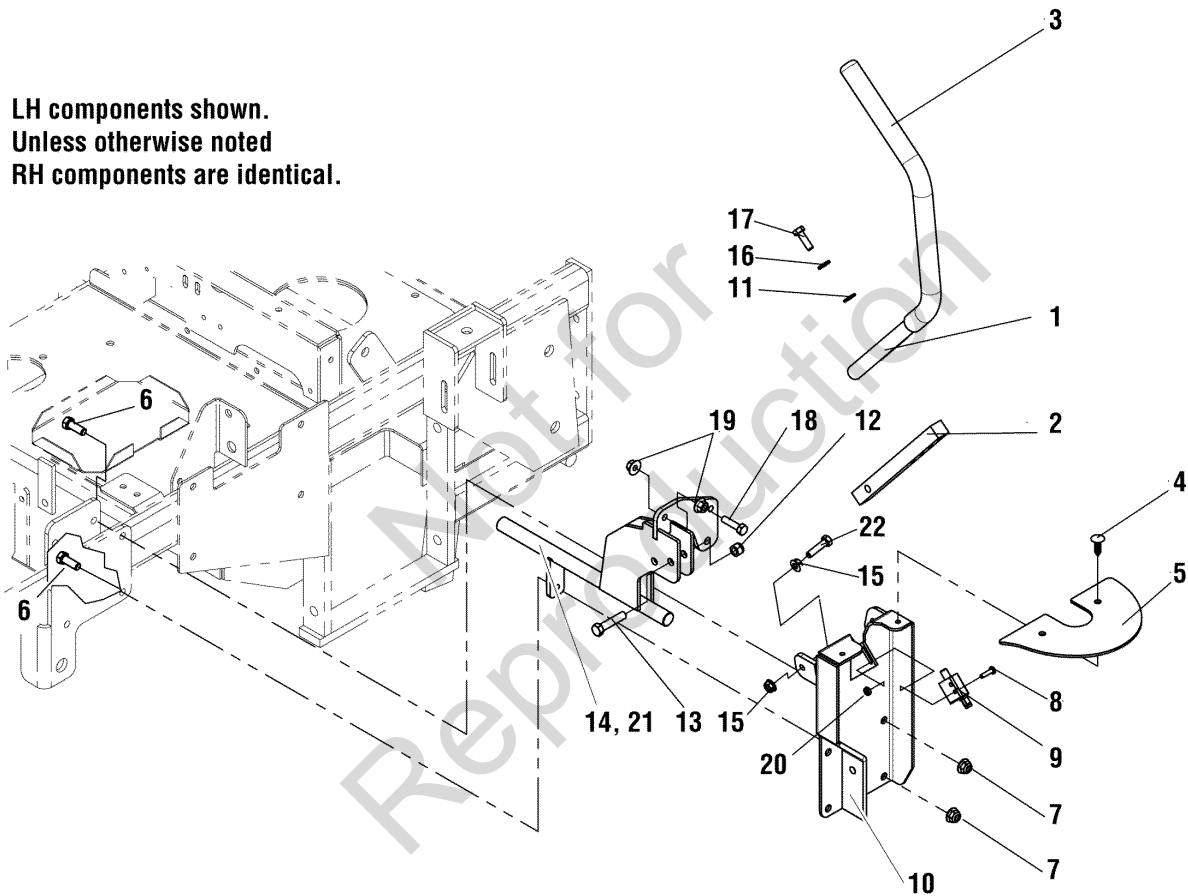
### The above parts group applies to the following Mfg. Nos.:

5900612 (IS3100ZK3061)	5900736 (IS3100ZBV3261 CAL)
5901183 (IS3100ZBV32)	5900753 (IS3100ZKAV37SS)
5900716 (IS3100ZBV30/61 AUS/NZ)	5900611 (IS3100ZLKAV2661)
5900717 (IS3100ZBV32 AUS/NZ)	5900752 (IS3100ZKAV3761SS)
5900613 (IS3100ZBV3261)	
5901186 (IS3100ZBV3061)	

## Motion Control Group - Upper

NOTE: Unless noted otherwise,  
use the standard hardware torque  
specification chart.

LH components shown.  
Unless otherwise noted  
RH components are identical.



### The above parts group applies to the following Mfg. Nos.:

5900716 (IS3100ZBV30/61 AUS/NZ)	5901183 (IS3100ZBV32)
5901186 (IS3100ZBV3061)	5900736 (IS3100ZBV3261 CAL)
5900753 (IS3100ZKAV37SS)	5900717 (IS3100ZBV32 AUS/NZ)
5900611 (IS3100ZLKAV2661)	5900612 (IS3100ZK3061)
5900752 (IS3100ZKAV3761SS)	
5900613 (IS3100ZBV3261)	

## Motion Control Group - Upper

REF NO	PART NO.	QTY.	DESCRIPTION
1	5400984B	1	WELD, MOTION CONT. HANDLE-LH-3000 - RED (Includes Ref. No 3.)
1	5400985B	1	WELD, MOTION CONT. HANDLE-RH-3000 - RED (Includes Ref. No 3.)
2	5047004	2	MOUNT, CONTROL ARM
3	5022068	2	GRIP, FOAM, 3/4" ID, 16" LONG
4	5025431	4	PUSH RIVET (TREE TYPE) BLACK
5	5100371	2	RUBBER FLAP, CONTROLS
6	5025013X8	4	BOLT, 3/8-16 X 1" GD5
7	5025394	8	NUT, 3/8-16 HEX NYLOCK FLANGE
8	5025179X4	4	SCREW, #10-24 X 1/2"
9	5021451	2	SWITCH PLUNGER N.O.
10	5400520B	1	WELD, NEUTRAL LOCK, LH - RED
10	5401231B	1	WELD, NEUTRAL LOCK, RH - RED
11	5025155	4	WASHER, 5/16" SAE
12	5025394	4	NUT, 3/8-16 HEX NYLOCK FLANGE
13	5025013X14	4	BOLT, 3/8-16 X 1-3/4" GD5
14	5400502B	1	WELD, CONTROL SHAFT, LH 3000 - RED (S/N: 2012617338 & BELOW)
14	5400503B	1	WELD, CONTROL SHAFT, RH 3000 - RED (S/N: 2012617338 & BELOW)
15	5025127	8	NUT, 5/16-18 HEX SM. SERR. FLG.
16	5025170	4	WASHER, 5/16" LOCK
17	5025011X8	4	BOLT, 5/16-18 X 1" GD5
18	5025011X10	2	BOLT, 5/16-18 X 1-1/4" GD5
19	5025139	4	NUT, 5/16-18 HEX LG SERR FLG.
20	5025029	4	10-24 HEX NUT
21	5403549B	1	WELD, CONTROL SHAFT, LH 3000 - RED (S/N: 2012617339 & ABOVE)
21	5403550B	1	WELD, CONTROL SHAFT, RH 3000 - RED (S/N: 2012617339 & ABOVE)
22	5025055X14	4	5/16-18 X 1-3/4, TFL

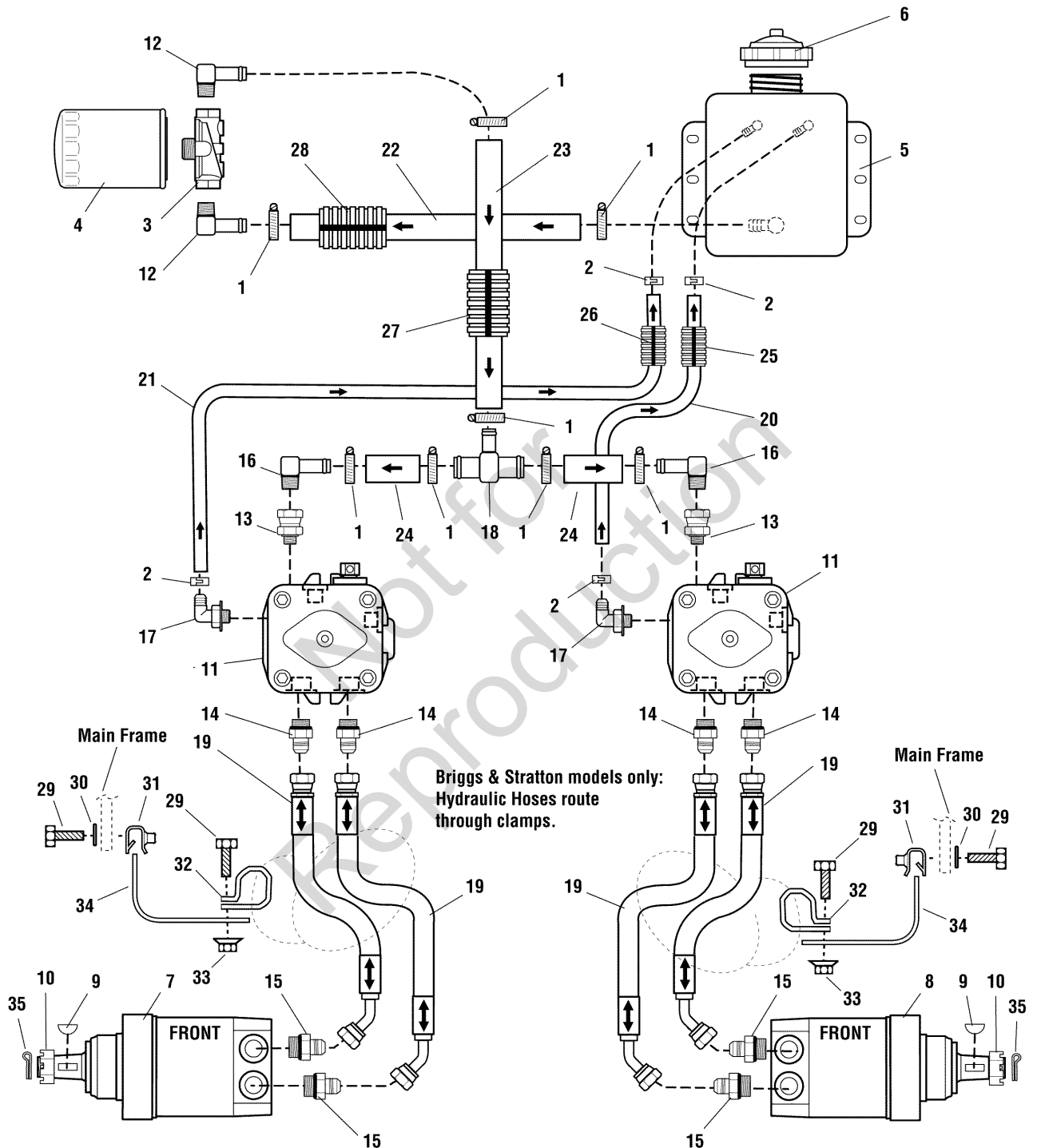
## Footnotes

### The above parts group applies to the following Mfg. Nos.:

5900716 (IS3100ZBV30/61 AUS/NZ)	5901183 (IS3100ZBV32)
5901186 (IS3100ZBV3061)	5900736 (IS3100ZBV3261 CAL)
5900753 (IS3100ZKAV37SS)	5900717 (IS3100ZBV32 AUS/NZ)
5900611 (IS3100ZLKAV2661)	5900612 (IS3100ZK3061)
5900752 (IS3100ZKAV3761SS)	
5900613 (IS3100ZBV3261)	

# Hydraulic Group (S/N: 2013257171 & Below)

NOTE: Unless noted otherwise, use the standard hardware torque specification chart.



**The above parts group applies to the following Mfg. Nos.:**

- |                              |                                 |
|------------------------------|---------------------------------|
| 5900736 (IS3100ZBV3261 CAL)  | 5900753 (IS3100ZKAV37SS)        |
| 5900752 (IS3100ZKAV3761SS)   | 5900613 (IS3100ZBV3261)         |
| 5900611 (IS3100ZLKAV2661)    | 5900612 (IS3100ZK3061)          |
| 5901186 (IS3100ZBV3061)      | 5900716 (IS3100ZBV30/61 AUS/NZ) |
| 5901183 (IS3100ZBV32)        |                                 |
| 5900717 (IS3100ZBV32 AUS/NZ) |                                 |



## Hydraulic Group (S/N: 2013257171 & Below)

REF NO	PART NO.	QTY.	DESCRIPTION
1	5021164	8	CLAMP, #10 HOSE STAINLESS
2	5023268	4	CLAMP, HOSE
3	5021356	1	FILTER HEAD
4	5021357X1	1	FILTER, HYDRAULIC
5	5600290	1	KIT, HYDRO TANK W/ DECAL (Includes Max Oil Level Decal)
6	5023191	1	CAP, HYDRAULIC RESERVOIR
7	5022660L	1	MOTOR, WHEEL REAR PORT LH 15CI (Includes Ref. Nos 9 and 10.)
8	5022660R	1	MOTOR, WHEEL REAR PORT RH 15CI (Includes Ref. Nos 9 and 10.)
8	5022660	1	WHEEL MOTOR GASKET/SEAL KIT (Not shown.)
9	5022042X2	2	KEY
10	5022042X3	2	CASTLE NUT (Includes Ref. No 35.)
11	5100161	2	HYDRAULIC PUMP W/ FAN BRACKET AND LEVER
11	5100162	2	FAN SHROUD (Not shown.)
11	5022571X1	1	7" FAN HUB ASSEMBLY (One per hydraulic pump.)
11	5022571X6	1	OVERHAUL SEAL KIT (One per hydraulic pump.)
11	5100161X3	1	SEAL, OUTPUT SHAFT, 17 X 40 X 7 (One per hydraulic pump.)
12	5022707	2	FITTING, 1/2NPT-5/8" HOSE, 90 DEG
13	5022365	2	FITTING, UNION ADAPTER
14	5022633	4	ADAPTER, HYDRAULIC
15	5022634	4	ADAPTER, HYDRAULIC
16	5021233	2	FITTING, 1/2NPT-5/8" HOSE, 90D
17	5023267	2	ADAPTER, 90 DEG, 9/16-3/8 BARB
18	5100335	1	TEE, HYDRAULIC, BEADED HOSE, 5/8 X 5/8 X 5/8
19	5102096	4	HOSE ASSEMBLY (33")
20	5050860X12	1	HOSE, 3/8" PUSH-LOCK, 12.00"
21	5050860X17P5	1	HOSE, 3/8" PUSH-LOCK, 17.50"
22	5050933X10	1	HOSE, 5/8" PUSH-LOCK, 10.00"
23	5050933X13P5	1	HOSE, 5/8" PUSH-LOCK, 13.50"
24	5050933X6P25	2	HOSE, 5/8" PUSH-LOCK, 6.25"
25	5050861X10	1	WIRE LOOM, 5/8" ID. 10" LONG
26	5050861X15	1	WIRE LOOM, 5/8" ID. 15" LONG
27	5100384X12	1	LOOM, CONVULTED SPLIT, 1" ID X 12 LONG
28	5100384X5	1	LOOM, CONVULTED SPLIT, 1" ID X 5 LONG
29	5025011X8	4	BOLT, 5/16-18 X 1" GD5 YZ (Briggs & Stratton model only.)
30	5025155	2	WASHER, 5/16" SAE (Briggs & Stratton model only.)
31	5022308	2	BODY CLIP, 5/16-18 X 1/2" DEEP (Briggs & Stratton model only.)
32	5023263	2	VINYL CLAMP (Briggs & Stratton model only.)
33	5025127	2	NUT, 5/16-18 HEX SERRATED FLANGE (SMALL) (Briggs & Stratton model only.)
34	5401689B	2	PLATE, HOSE ANCHOR (Briggs & Stratton model only.)
35	5025203X16	2	COTTER PIN (Briggs & Stratton model only.)

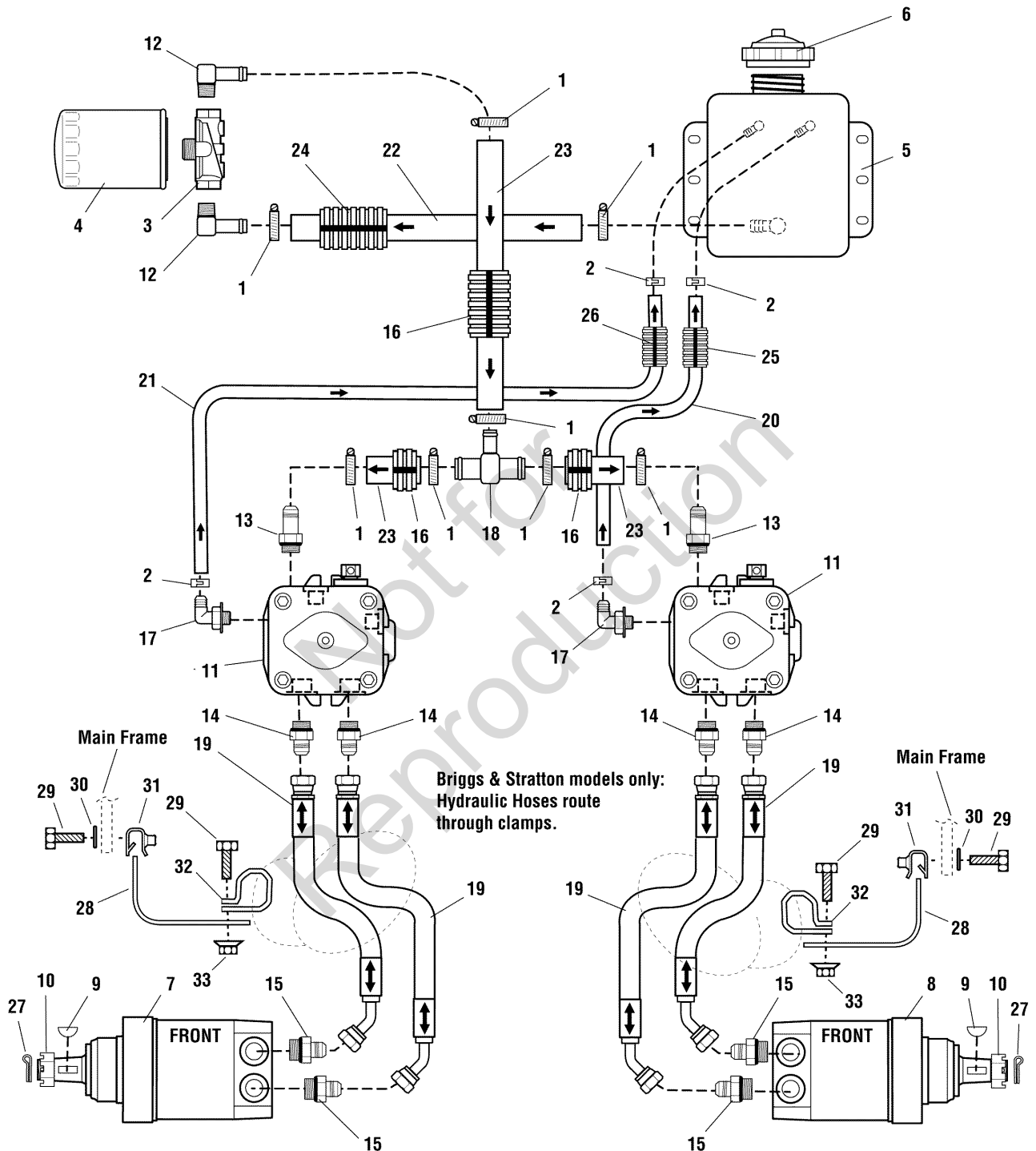
### Footnotes

#### The above parts group applies to the following Mfg. Nos.:

5900736 (IS3100ZBV3261 CAL)	5900753 (IS3100ZKAV37SS)
5900752 (IS3100ZKAV3761SS)	5900613 (IS3100ZBV3261)
5900611 (IS3100ZLKAV2661)	5900612 (IS3100ZK3061)
5901186 (IS3100ZBV3061)	5900716 (IS3100ZBV30/61 AUS/NZ)
5901183 (IS3100ZBV32)	
5900717 (IS3100ZBV32 AUS/NZ)	

# Hydraulic Group (S/N: 2013257172 & Above)

NOTE: Unless noted otherwise, use the standard hardware torque specification chart.



**The above parts group applies to the following Mfg. Nos.:**

- |                              |                                 |
|------------------------------|---------------------------------|
| 5900752 (IS3100ZKAV3761SS)   | 5900736 (IS3100ZBV3261 CAL)     |
| 5900753 (IS3100ZKAV37SS)     | 5900612 (IS3100ZK3061)          |
| 5900611 (IS3100ZLKAV2661)    | 5901183 (IS3100ZBV32)           |
| 5900613 (IS3100ZBV3261)      | 5900716 (IS3100ZBV30/61 AUS/NZ) |
| 5901186 (IS3100ZBV3061)      |                                 |
| 5900717 (IS3100ZBV32 AUS/NZ) |                                 |

## Hydraulic Group (S/N: 2013257172 & Above)

REF NO	PART NO.	QTY.	DESCRIPTION
1	5021164	8	CLAMP, #10 HOSE STAINLESS
2	5023268	4	CLAMP, HOSE
3	5021356	1	FILTER HEAD
4	5021357X1	1	FILTER, HYDRAULIC
5	5600290	1	KIT, HYDRO TANK W/ DECAL (Includes Max Oil Level Decal)
6	5023191	1	CAP, HYDRAULIC RESERVOIR
7	5022660L	1	MOTOR, WHEEL REAR PORT LH 15CI (Includes Ref. Nos 9 and 10.)
8	5022660R	1	MOTOR, WHEEL REAR PORT RH 15CI (Includes Ref. Nos 9 and 10.)
8	5022660	1	WHEEL MOTOR GASKET/SEAL KIT (Not shown.)
9	5022042X2	2	KEY
10	5022042X3	2	CASTLE NUT (Includes Ref. No 35.)
11	5100161	2	HYDRAULIC PUMP W/ FAN BRACKET AND LEVER
11	5100162	2	FAN SHROUD (Not shown.)
11	5022571X1	1	7" FAN HUB ASSEMBLY (One per hydraulic pump.)
11	5022571X6	1	OVERHAUL SEAL KIT (One per hydraulic pump.)
11	5100161X3	1	SEAL, OUTPUT SHAFT, 17 X 40 X 7 (One per hydraulic pump.)
12	5022707	2	FITTING, 1/2NPT-5/8" HOSE, 90 DEG
13	5100678	2	FITTING, STRAIGHT, HYD #12618
14	5022633	4	ADAPTER, HYDRAULIC
15	5022634	4	ADAPTER, HYDRAULIC
16	5100384X8	3	LOOM, CONVOLUTED SPLIT, 1 ID - 8 LONG
17	5023267	2	ADAPTER, 90 DEG, 9/16-3/8 BARB
18	5100335	1	TEE, HYDRAULIC, BEADED HOSE, 5/8 X 5/8 X 5/8
19	5102096	4	HOSE ASSEMBLY (33")
20	5050860X12	1	HOSE, 3/8" PUSH-LOCK, 12.00"
21	5050860X17P5	1	HOSE, 3/8" PUSH-LOCK, 17.50"
22	5050933X11P5	1	HOSE, 5/8" PUSH-LOCK, 11.50"
23	5050933X10	3	HOSE, 5/8" PUSH-LOCK, 10.00"
24	5100384X9P5	1	LOOM, CONVOLUTED SPLIT, 1 ID - 9.5 LONG
25	5050861X10	1	WIRE LOOM, 5/8" ID. 10" LONG
26	5050861X15	1	WIRE LOOM, 5/8" ID. 15" LONG
27	5025203X16	2	COTTER PIN
28	5401689B	2	PLATE, HOSE ANCHOR (Briggs & Stratton model only.)
29	5025011X8	4	BOLT, 5/16-18 X 1" GD5 YZ (Briggs & Stratton model only.)
30	5025155	2	WASHER, 5/16" SAE (Briggs & Stratton model only.)
31	5022308	2	BODY CLIP, 5/16-18 X 1/2" DEEP (Briggs & Stratton model only.)
32	5023263	2	VINYL CLAMP (Briggs & Stratton model only.)
33	5025127	2	NUT, 5/16-18 HEX SERRATED FLANGE (SMALL) (Briggs & Stratton model only.)

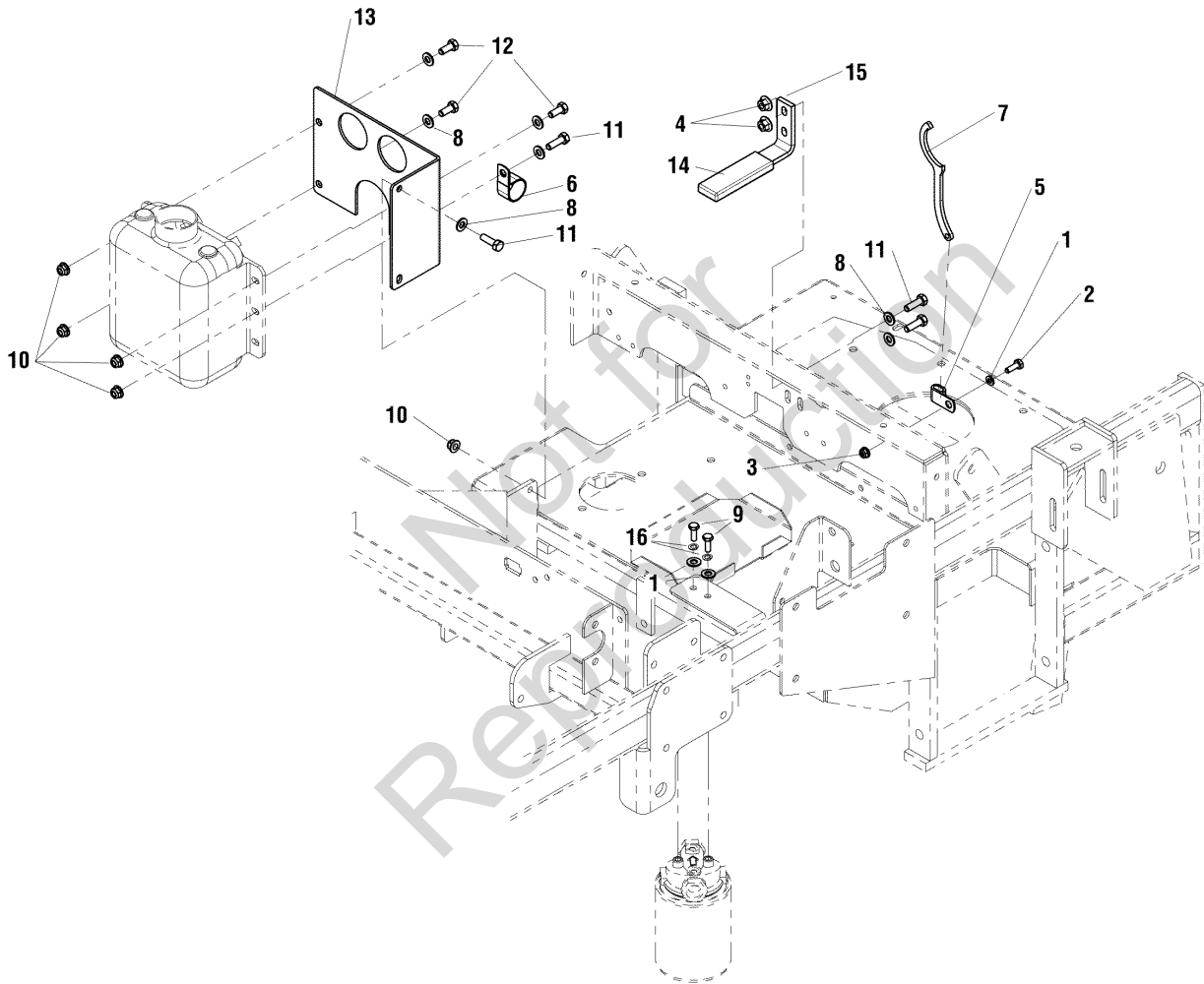
### Footnotes

#### The above parts group applies to the following Mfg. Nos.:

5900752 (IS3100ZKAV3761SS)	5900736 (IS3100ZBV3261 CAL)
5900753 (IS3100ZKAV37SS)	5900612 (IS3100ZK3061)
5900611 (IS3100ZLKAV2661)	5901183 (IS3100ZBV32)
5900613 (IS3100ZBV3261)	5900716 (IS3100ZBV30/61 AUS/NZ)
5901186 (IS3100ZBV3061)	
5900717 (IS3100ZBV32 AUS/NZ)	

## Reservoir Mount & Battery Group

NOTE: Unless noted otherwise,  
use the standard hardware torque  
specification chart.



**The above parts group applies to the following Mfg. Nos.:**

- |                                 |                            |
|---------------------------------|----------------------------|
| 5900736 (IS3100ZBV3261 CAL)     | 5900752 (IS3100ZKAV3761SS) |
| 5900611 (IS3100ZLKAV2661)       | 5900612 (IS3100ZK3061)     |
| 5901186 (IS3100ZBV3061)         | 5901183 (IS3100ZBV32)      |
| 5900613 (IS3100ZBV3261)         | 5900753 (IS3100ZKAV37SS)   |
| 5900717 (IS3100ZBV32 AUS/NZ)    |                            |
| 5900716 (IS3100ZBV30/61 AUS/NZ) |                            |

## Reservoir Mount & Battery Group

REF NO	PART NO.	QTY.	DESCRIPTION
1	5025154	3	WASHER, 1/4" SAE
2	5025010X6	1	BOLT, 1/4-20 X 3/4" GD5 YZ
3	5025391	1	NUT, 1/4-20 HEX NYLOCK FLANGE
4	5025139	2	NUT, 5/16-18 HEX SERRATED FLANGE (LARGE)
5	5025430	1	CLAMP, 5/16", DOUBLE, WIRE & TUBE
6	5023173	1	CLAMP, HOSE, 1.000 DIA.
7	5022853	1	SPANNER WRENCH
8	5025155	8	WASHER, 5/16" SAE
9	5025010X6	2	BOLT, 1/4-20 X 3/4" GD5 YZ
10	5025392	6	NUT, 5/16-18 HEX NYLOCK FLANGE
11	5025011X8	5	BOLT, 5/16-18 X 1" GD5 YZ
12	5025011X6	3	BOLT, 5/16-18 X 3/4" GD5
13	5400504B	1	MOUNT, HYDRO TANK - RED
14	5025510	1	GRIP, FOAM 1/4" X 1
15	5401409B	1	RETAINER, BATTERY - RED (Includes Ref. No. 14)
16	5025169	1	WASHER, 1/4" LOCK

Not for  
Reproduction

### Footnotes

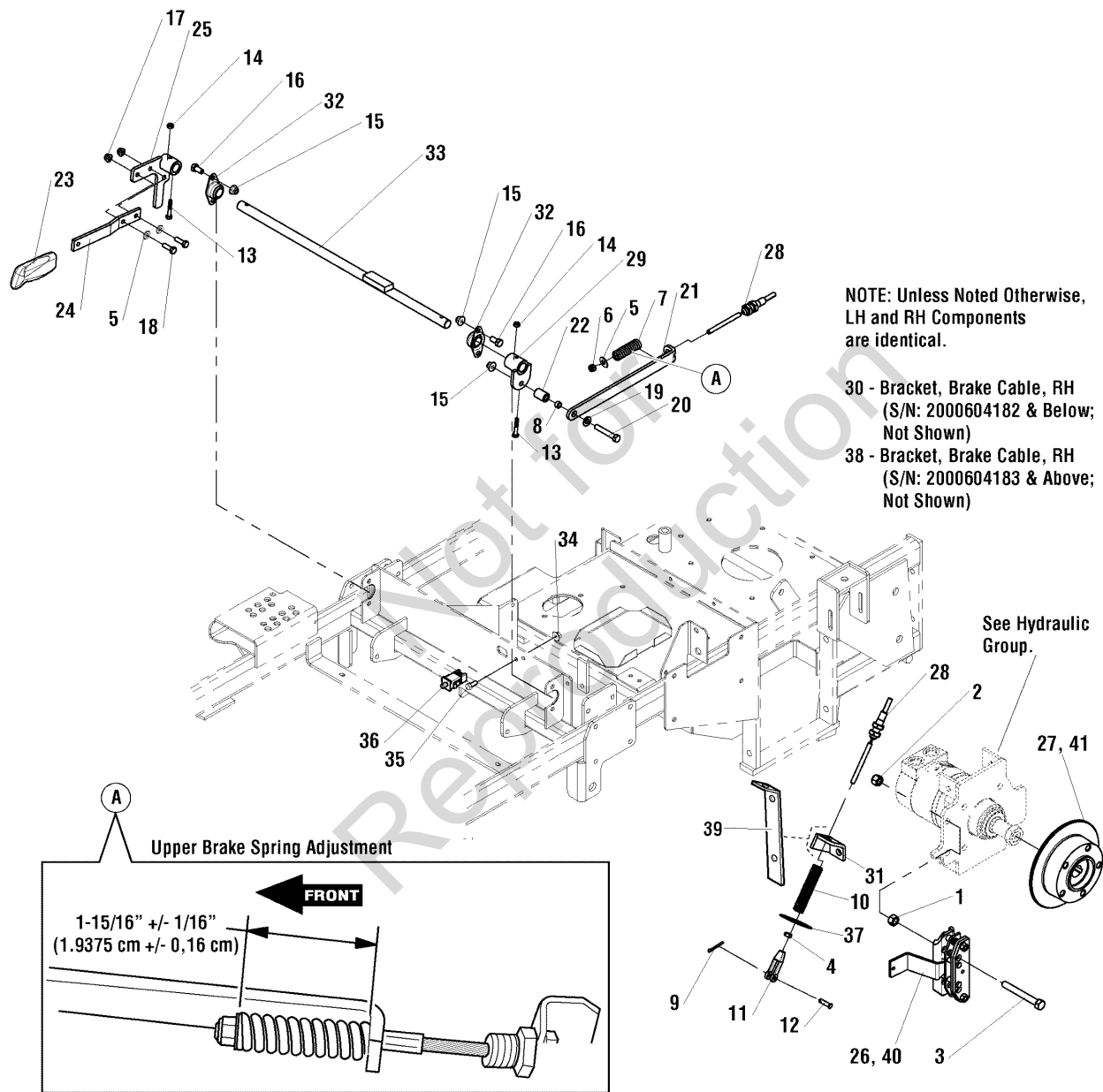
---

**The above parts group applies to the following Mfg. Nos.:**

5900736 (IS3100ZBV3261 CAL)	5900752 (IS3100ZKAV3761SS)
5900611 (IS3100ZLKAV2661)	5900612 (IS3100ZK3061)
5901186 (IS3100ZBV3061)	5901183 (IS3100ZBV32)
5900613 (IS3100ZBV3261)	5900753 (IS3100ZKAV37SS)
5900717 (IS3100ZBV32 AUS/NZ)	
5900716 (IS3100ZBV30/61 AUS/NZ)	

# Parking Brake Group

NOTE: Unless noted otherwise, use the standard hardware torque specification chart.



The above parts group applies to the following Mfg. Nos.:

- |                                 |                              |
|---------------------------------|------------------------------|
| 5901186 (IS3100ZBV3061)         | 5900612 (IS3100ZK3061)       |
| 5900611 (IS3100ZLKAV2661)       | 5900753 (IS3100ZKAV37SS)     |
| 5900752 (IS3100ZKAV3761SS)      | 5900717 (IS3100ZBV32 AUS/NZ) |
| 5901183 (IS3100ZBV32)           | 5900736 (IS3100ZBV3261 CAL)  |
| 5900613 (IS3100ZBV3261)         |                              |
| 5900716 (IS3100ZBV30/61 AUS/NZ) |                              |

## Parking Brake Group

REF NO	PART NO.	QTY.	DESCRIPTION
1	5025301	4	NUT, 1/2-13 HEX JAM
2	5025056	4	NUT, 1/2-13 HEX NYLON LOCK
3	5025017X32	4	BOLT, 1/2-13 X 4" GD5 YZ
4	5025033	2	NUT, 5/16-24 HEX
5	5025155	4	WASHER, 5/16" SAE
6	5025045	2	NUT, 5/16-24 HEX NYLON LOCK
7	5022361	2	SPRING, BRAKE
8	5041930	2	SPACER, .38 X .50 X .27
9	5025203X10	2	PIN, COTTER, 1/8" X 1-1/4
10	5023320	2	SPRING, COMPRESSION
11	5023323	2	CLEVIS, 5/16-24, STEEL
12	5025213X8	2	PIN, CLEVIS, 5/16" X 1
13	5025010X12	2	BOLT, 1/4-20 X 1-1/2", GD5
14	5025287	2	NUT, 1/4-20 HEX SIDE LOCK
15	5025394	6	NUT, 3/8-16 HEX NYLOCK FLANGE
16	5025013X6	4	BOLT, 3/8-16 X 3/4" GD5 YZ
17	5025392	2	NUT, 5/16-18 HEX NYLOCK FLANGE
18	5025011X8	2	BOLT, 5/16-18 X 1" GD5 YZ
19	5025156	4	WASHER, 3/8" SAE
20	5025013X18	2	BOLT, 3/8-16 X 2-1/4" GD5 YZ
21	5400505B	2	BRAKE LINKAGE - RED
22	5042658	2	SPACER, .39 X .75 X 1.06
23	5100171	1	GRIP, BLACK FLEXIBLE
24	5401182B	1	HANDLE, BRAKE LEVER - RED
25	5400948B	1	WELD, BRAKE HANDLE MOUNT - RED
26	5023299	2	CALIPER, MECHANICAL (S/N: 2000604183 & Below)
27	5100775	2	HUB, BRAKE (S/N: 2000604183 & Below)
28	5023324	4	CABLE, PARKING BRAKE
29	5045618B	1	PIVOT, LINKAGE MOUNT WELDMENT
30	5061405B	1	WELD, BRACKET, BRAKE CABLE, LH (Not shown)(S/N: 2000604182 & Below)
31	5061404B	1	WELD, BRACKET, BRAKE CABLE, RH (S/N: 2000604182 & Below)
32	5021098	2	BEARING, BRONZE FLANGE, 3/4
33	5400496B	1	WELD, SHAFT BRAKE LEVER - RED
34	5025139	1	NUT, 5/16-18 HEX SERRATED FLANGE (LARGE)
35	5025011X6	1	BOLT, 5/16-18 X 3/4" GD5
36	5022182	1	SWITCH, PLUNGER, NO/NC SNAP-IN
37	5025164	2	WASHER, 5/16" FENDER
38	5400802B	1	WELD, BRACKET, BRAKE CABLE, RH (S/N: 2000604183 & Above)
39	5400803B	1	WELD, BRACKET, BRAKE CABLE, LH (Not shown)(S/N: 2000604183 & Above)
40	5100774	2	COMPACT CALIPER, AUSCO (S/N: 2000604183 & Above)
41	5100775	2	WHEEL HUB, COMPACT CALIBER (S/N: 2000604183 & Above)

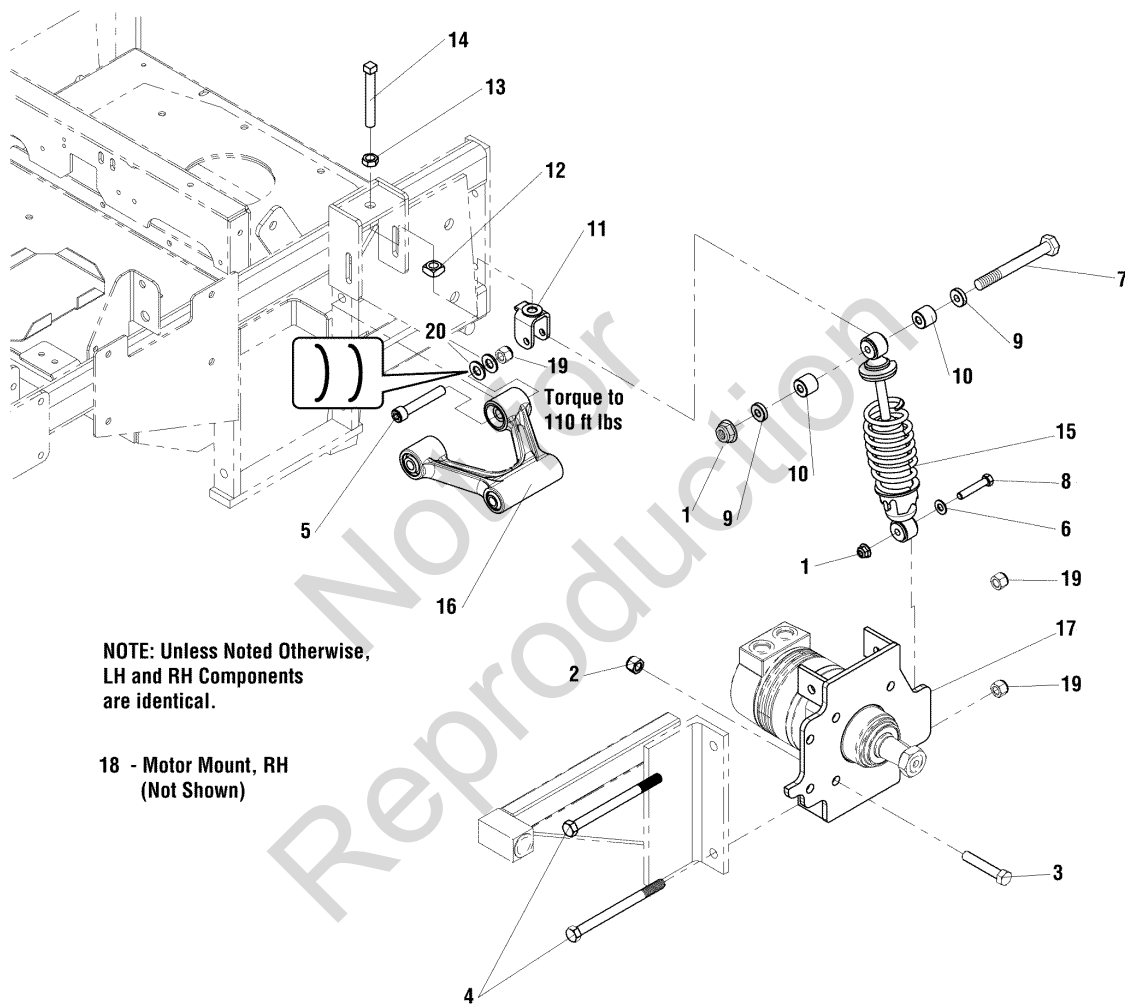
### Footnotes

**The above parts group applies to the following Mfg. Nos.:**

5901186 (IS3100ZBV3061)	5900612 (IS3100ZK3061)
5900611 (IS3100ZLKAV2661)	5900753 (IS3100ZKAV37SS)
5900752 (IS3100ZKAV3761SS)	5900717 (IS3100ZBV32 AUS/NZ)
5901183 (IS3100ZBV32)	5900736 (IS3100ZBV3261 CAL)
5900613 (IS3100ZBV3261)	
5900716 (IS3100ZBV30/61 AUS/NZ)	

## Rear Suspension Group - (S/N: 2012803266 & Below)

NOTE: Unless noted otherwise,  
use the standard hardware torque  
specification chart.



**The above parts group applies to the following Mfg. Nos.:**

5900612 (IS3100ZK3061)	5900717 (IS3100ZBV32 AUS/NZ)
5901183 (IS3100ZBV32)	5900611 (IS3100ZLKAV2661)
5900753 (IS3100ZKAV37SS)	5900716 (IS3100ZBV30/61 AUS/NZ)
5900736 (IS3100ZBV3261 CAL)	5901186 (IS3100ZBV3061)
5900613 (IS3100ZBV3261)	
5900752 (IS3100ZKAV3761SS)	



**Rear Suspension Group - (S/N: 2012803266 & Below)**

REF NO	PART NO.	QTY.	DESCRIPTION
1	5025394	4	NUT, 3/8-16 HEX NYLOCK FLANGE
2	5025056	8	NUT, 1/2-13 HEX NYLON LOCK
3	5025017X22	8	BOLT, 1/2-13 X 2-3/4" GD5
4	5025488X52	4	BOLT, 1/2-13 X 6-1/2" GD8
5	5025294X26	8	BOLT, 1/2-13 X 3-1/4" ALLEN HEAD
6	5025156	2	WASHER, 3/8" SAE
7	5025013X40	2	BOLT, 3/8-16 X 5" GD5
8	5025013X16	2	BOLT, 3/8-16 X 2" GD5
9	5101502	4	SPACER, .39 X 1.00 X .25
10	5047125	4	SPACER, .39 X 1.00 X .88
11	5401374B	2	WELD, JACK BOLT PLATFORM - RED
12	5025330	2	NUT, 1/2-13 SQUARE
13	5025301	2	NUT, 1/2-13 HEX JAM
14	5025298	2	SET SCREW, 1/2-13X3-1/2" SQ.H
15	5100270	2	SHOCK/SPRING ASSEMBLY, IS3000
16	5101617	4	ASSM, A-ARM WITH BEARINGS
17	5061558B	1	WELD, MOTOR MOUNT, LH
18	5061856B	1	WELD, MOTOR MOUNT, RH (Not shown)
19	5025396	12	NUT, 1/2-13 HEX NYLOCK FLANGE
20	5025523	16	BELLEVILLE WASHER, 1.259 X .512 X .138 YZ

Not for  
Reproduction

**Footnotes**

**The above parts group applies to the following Mfg. Nos.:**

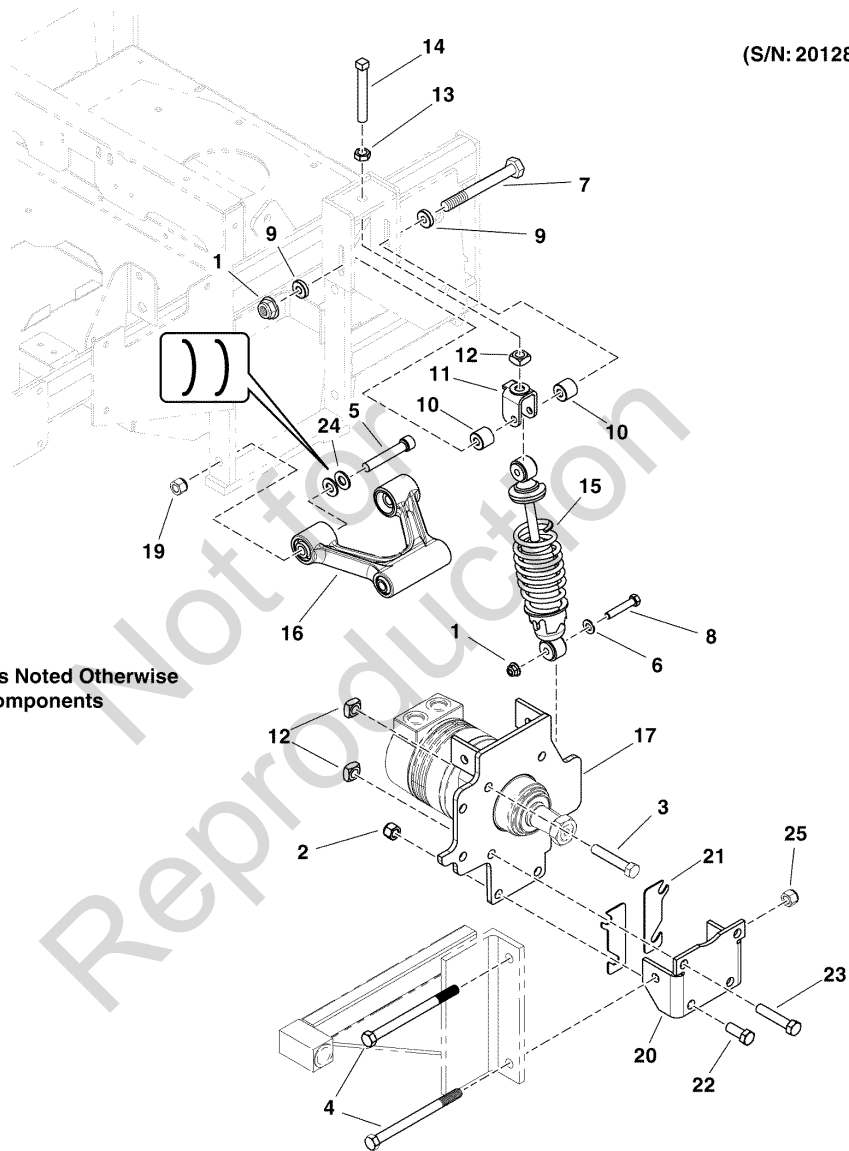
5900612 (IS3100ZK3061)	5900717 (IS3100ZBV32 AUS/NZ)
5901183 (IS3100ZBV32)	5900611 (IS3100ZLKAV2661)
5900753 (IS3100ZKAV37SS)	5900716 (IS3100ZBV30/61 AUS/NZ)
5900736 (IS3100ZBV3261 CAL)	5901186 (IS3100ZBV3061)
5900613 (IS3100ZBV3261)	
5900752 (IS3100ZKAV3761SS)	

## Rear Suspension Group - (S/N: 2012803267 & Above)

NOTE: Unless noted otherwise,  
use the standard hardware torque  
specification chart.

5300175  
(S/N: 2012803267 & Above)

NOTE: Unless Noted Otherwise  
LH and RH Components  
are Identical.



**The above parts group applies to the following Mfg. Nos.:**

- |                                 |                             |
|---------------------------------|-----------------------------|
| 5901186 (IS3100ZBV3061)         | 5900612 (IS3100ZK3061)      |
| 5900717 (IS3100ZBV32 AUS/NZ)    | 5901183 (IS3100ZBV32)       |
| 5900716 (IS3100ZBV30/61 AUS/NZ) | 5900753 (IS3100ZKAV37SS)    |
| 5900613 (IS3100ZBV3261)         | 5900736 (IS3100ZBV3261 CAL) |
| 5900752 (IS3100ZKAV3761SS)      |                             |
| 5900611 (IS3100ZLKAV2661)       |                             |

## Rear Suspension Group - (S/N: 2012803267 & Above)

REF NO	PART NO.	QTY.	DESCRIPTION
1	5025394	4	NUT, 3/8-16 HEX NYLOCK FLANGE
2	5025098	4	NUT, 1/2-20 HEX NYLON LOCK
3	5025017X22	4	BOLT, 1/2-13 X 2-3/4 GD5 YZ
4	5025488X52	4	BOLT, 1/2-13 X 6-1/2" GD8
5	5025294X26	8	BOLT, 1/2-13 X 3-1/4" ALLEN HEAD (Torque to 110 ft lbs)
6	5025156	2	WASHER, 3/8" SAE
7	5025013X40	2	BOLT, 3/8-16 X 5" GD5
8	5025013X16	2	BOLT, 3/8-16 X 2" GD5
9	5101502	4	SPACER, .39 X 1.00 X .25
10	5047125	4	SPACER, .39 X 1.00 X .88
11	5401374B	2	WELD, JACK BOLT PLATFORM - RED
12	5025330	10	NUT, 1/2-13 SQUARE
13	5025301	2	NUT, 1/2-13 HEX JAM
14	5025298	2	SET SCREW, 1/2-13X3-1/2" SQ.H
15	5100270	2	SHOCK/SPRING ASSEMBLY, IS3000
16	5101617	4	ASSM, A-ARM WITH BEARINGS
17	5404052B	1	WELD, MOTOR MOUNT, LH - 3100
18	5404053B	1	WELD, MOTOR MOUNT, RH - 3100 (Not Shown)
19	5101927	8	NUT, 1/2-13 HEX NYLOCK FLANGE GR8, YZ
20	5400880B	2	MOUNT, A-ARM ADJUSTABLE - RED
21	5100332	4	SHIM, CAMBER - PLATED
22	5025018X14	4	BOLT, 1/2-20 X 1-3/4 GD5 YZ
23	5025017X24	4	BOLT, 1/2-13 X 3 GD5 YZ
24	5025523	16	BELLEVILLE WASHER, 1.259 X .512 X .138 YZ
25	5025396	4	NUT, 1/2-13 HEX NYLON FLANGE

### Footnotes

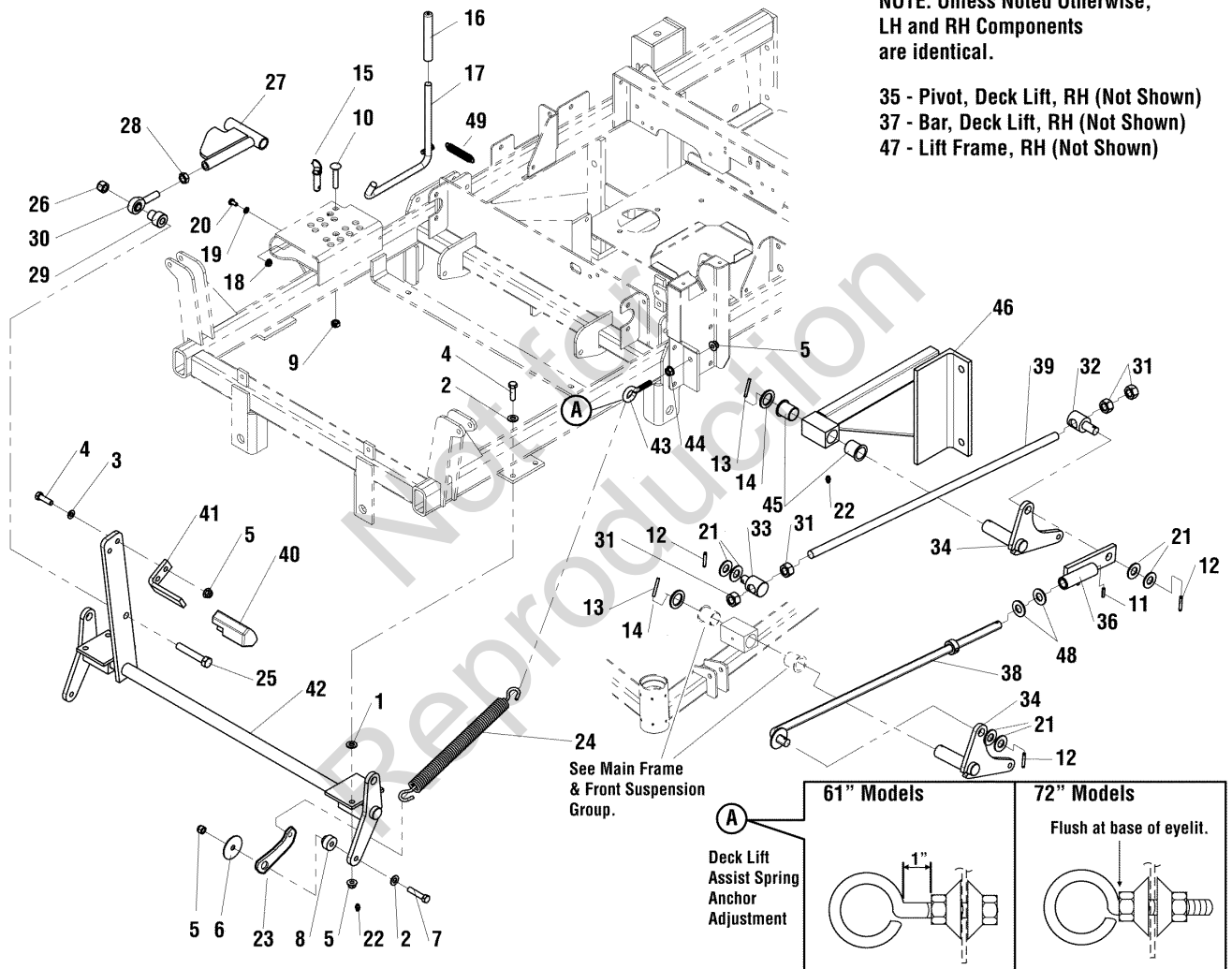
---

**The above parts group applies to the following Mfg. Nos.:**

5901186 (IS3100ZBV3061)	5900612 (IS3100ZK3061)
5900717 (IS3100ZBV32 AUS/NZ)	5901183 (IS3100ZBV32)
5900716 (IS3100ZBV30/61 AUS/NZ)	5900753 (IS3100ZKAV37SS)
5900613 (IS3100ZBV3261)	5900736 (IS3100ZBV3261 CAL)
5900752 (IS3100ZKAV3761SS)	
5900611 (IS3100ZLKAV2661)	

## Deck Lift Group (S/N: 2000729893 & Below)

NOTE: Unless noted otherwise, use the standard hardware torque specification chart.



The above parts group applies to the following Mfg. Nos.:

- 5901183 (IS3100ZBV32)                      5901186 (IS3100ZBV3061)
- 5900753 (IS3100ZKAV37SS)
- 5900752 (IS3100ZKAV3761SS)
- 5900612 (IS3100ZK3061)
- 5900611 (IS3100ZLKAV2661)
- 5900613 (IS3100ZBV3261)

## Deck Lift Group (S/N: 2000729893 & Below)

REF NO	PART NO.	QTY.	DESCRIPTION
1	5025293	4	WASHER, 3/8" GD.9 FLAT
2	5025156	6	WASHER, 3/8" SAE
3	5025155	2	WASHER, 5/16" SAE
4	5025013X10	6	BOLT, 3/8-16 X 1-1/4" GD5
5	5025394	9	NUT, 3/8-16 HEX NYLOCK FLANGE
6	5025326	2	WASHER, 2.00 X .390 X .135
7	5025013X16	2	BOLT, 3/8-16 X 2" GD5
8	5061227	2	BUSHING, DECK PIVOT
9	5025100	1	NUT, 3/8-16 HEX SIDE LOCK
10	5025146X16	1	BOLT, 3/8-16 X 2", CARRIAGE
11	5025316	2	COILED PIN, 3/16 X 3/4
12	5022366	4	PIN, 3/16" X 1-1/4" SPRING
13	5025516	4	PIN, ROLL, 3/16" X 1-1/2" PLN.
14	5020929	4	SHIM, 1.0 X 1.5 X 0.125
15	5023498	1	PIN, HITCH, 1/2 X 2.00 OAL, YP
16	5021880	1	GRIP, FOAM
17	5400982B	1	WELD, DECK LIFT CONTROL, IS3000 - RED
18	5025126	2	NUT, 1/4-20 HEX SERR. FLANGE
19	5025154	2	WASHER, 1/4" SAE
20	5025010X6	2	BOLT, 1/4-20 X 3/4" GD5 YZ
21	5025450	12	WASHER, SHIM, 5/8" X 18GA. YZ
22	5020095	2	GREASE FITTING, 1/4-28 STRAIGHT
23	5401655B	2	LINK, SPRING
24	5023355	2	SPRING, DECK LIFT ASSIST
25	5025017X28	1	BOLT, 1/2-13 X 3-1/2" GD5
26	5025056	1	NUT, 1/2-13 HEX NYLON LOCK
27	5400992B	1	WELD, DECK ADJUST LINK - RED
28	5025089	1	NUT, 1/2-20 HEX JAM
29	5047103	1	ADAPTER, CASTER AXLE
30	5022434	1	BALL JOINT, 1/2-20, MALE
31	5025040	8	NUT, 5/8-11 HEX
32	5047446	2	PIVOT, SPRING ROD
33	5045447	2	PIVOT, SPRING ROD
34	5045449B	2	PIVOT, DECK LIFT WELD.-LEFT
35	5045450B	2	PIVOT, DECK LIFT WELD.-RIGHT (Not shown)
36	5047522B	1	BAR, DECK LIFT WELD. - LH
37	5047523B	1	BAR, DECK LIFT WELD. - RH (Not shown)
38	5047761	2	ROD, DECK LIFT ASSEMBLY (61" model only.)
38	5100505	2	ROD, DECK LIFT ASSEMBLY (72" model only.)
39	5061304	2	ROD, DECK ADJUSTMENT
40	1715834	1	RUBBER, FOOT PEDAL

### Footnotes

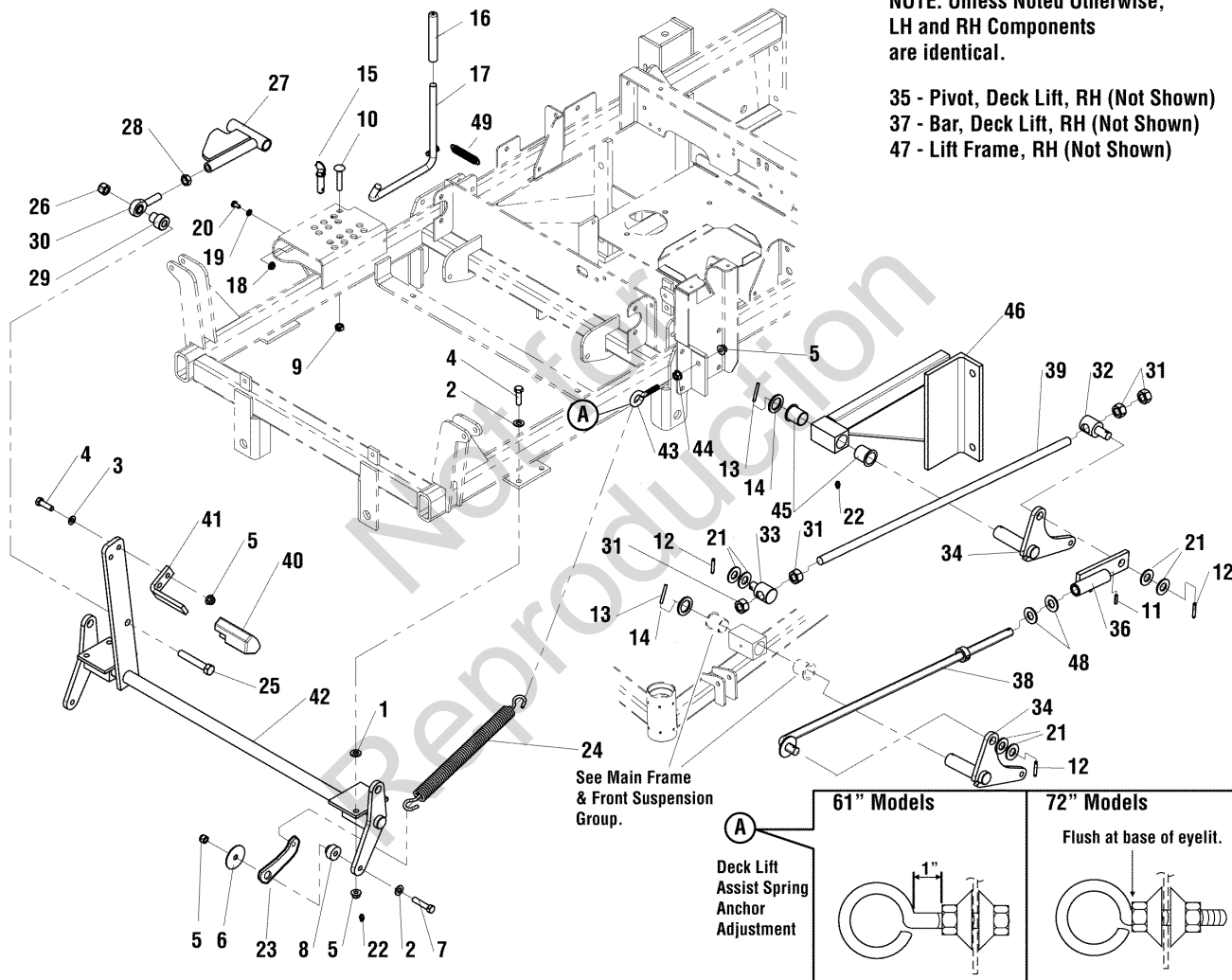
---

#### The above parts group applies to the following Mfg. Nos.:

5901183 (IS3100ZBV32)                      5901186 (IS3100ZBV3061)  
5900753 (IS3100ZKAV37SS)  
5900752 (IS3100ZKAV3761SS)  
5900612 (IS3100ZK3061)  
5900611 (IS3100ZLKAV2661)  
5900613 (IS3100ZBV3261)

## Deck Lift Group (S/N: 2000729893 & Below)

NOTE: Unless noted otherwise, use the standard hardware torque specification chart.



The above parts group applies to the following Mfg. Nos.:

- 5901183 (IS3100ZBV32)                      5901186 (IS3100ZBV3061)
- 5900753 (IS3100ZKAV37SS)
- 5900752 (IS3100ZKAV3761SS)
- 5900612 (IS3100ZK3061)
- 5900611 (IS3100ZLKAV2661)
- 5900613 (IS3100ZBV3261)

**Deck Lift Group (S/N: 2000729893 & Below)**

REF NO	PART NO.	QTY.	DESCRIPTION
41	5061569B	1	PEDAL, FOOT
42	5400479B	1	WELD, DECK LIFT SHAFT 3000 - RED
43	5025441	1	EYEBOLT, 3/8-16 X 2 1/2"
44	5025128	1	NUT, 3/8-16 HEX SERRATED FLANGE
45	5023343	4	BUSHING, 1.00 X 1.13 X 1.38, PLASTIC
46	5061312B	1	WELD, LIFT FRAME, LH
47	5061311B	1	WELD, LIFT FRAME, RH (Not shown)
48	5025281	4	WASHER, 5/8" SAE (61" model only.)
49	5020639	1	SPRING, EXTENSION

Not for  
Reproduction

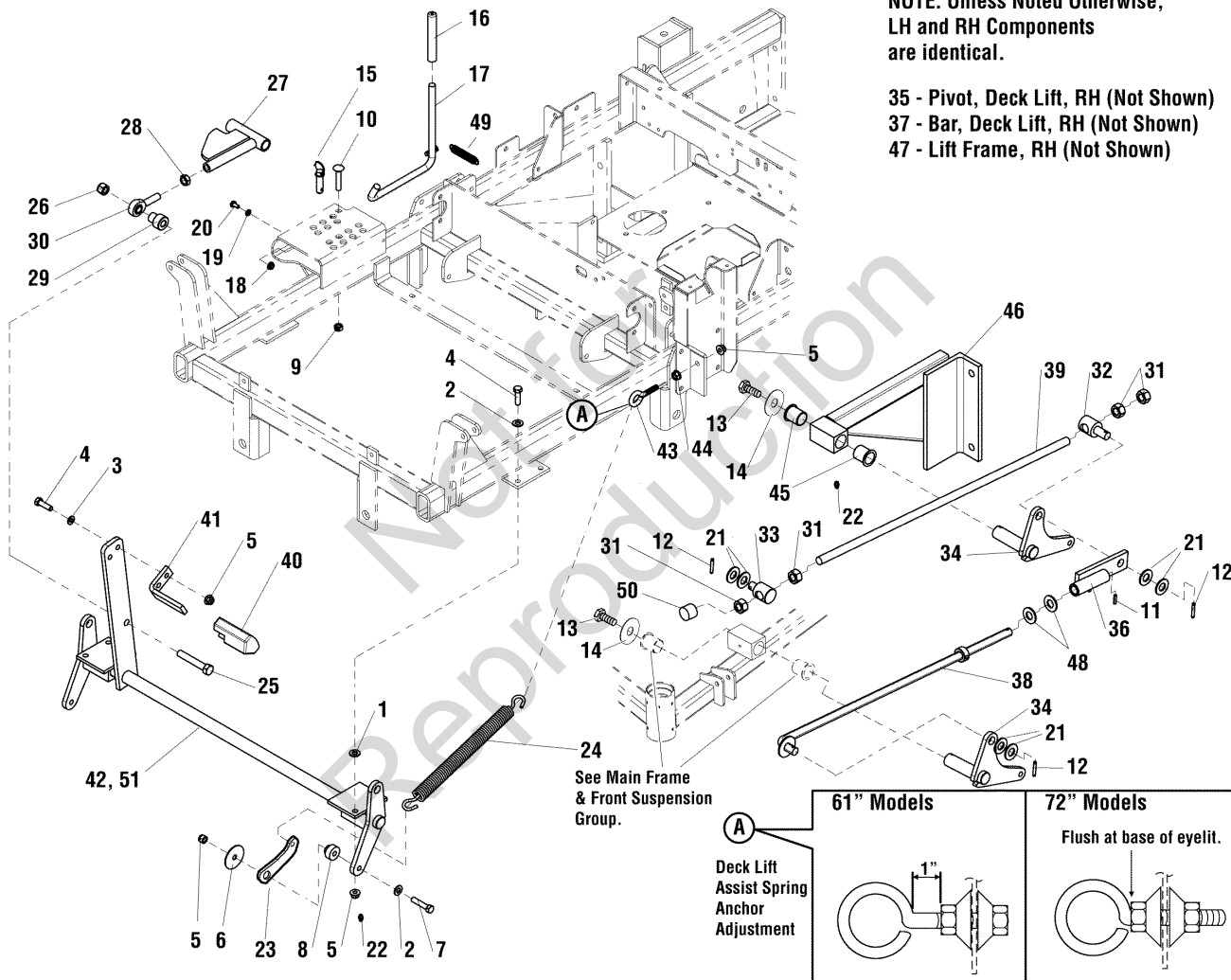
**Footnotes**

**The above parts group applies to the following Mfg. Nos.:**

- 5901183 (IS3100ZBV32)
- 5901186 (IS3100ZBV3061)
- 5900753 (IS3100ZKAV37SS)
- 5900752 (IS3100ZKAV3761SS)
- 5900612 (IS3100ZK3061)
- 5900611 (IS3100ZLKAV2661)
- 5900613 (IS3100ZBV3261)

## Deck Lift Group (S/N: 2000729894 & Above)

NOTE: Unless noted otherwise, use the standard hardware torque specification chart.



**The above parts group applies to the following Mfg. Nos.:**

- |                                 |                             |
|---------------------------------|-----------------------------|
| 5900612 (IS3100ZK3061)          | 5900736 (IS3100ZBV3261 CAL) |
| 5900716 (IS3100ZBV30/61 AUS/NZ) | 5900753 (IS3100ZKAV37SS)    |
| 5900717 (IS3100ZBV32 AUS/NZ)    | 5900752 (IS3100ZKAV3761SS)  |
| 5900613 (IS3100ZBV3261)         | 5901186 (IS3100ZBV3061)     |
| 5900611 (IS3100ZLKAV2661)       |                             |
| 5901183 (IS3100ZBV32)           |                             |



## Deck Lift Group (S/N: 2000729894 & Above)

REF NO	PART NO.	QTY.	DESCRIPTION
1	5025293	4	WASHER, 3/8" GD.9 FLAT
2	5025156	6	WASHER, 3/8" SAE
3	5025155	2	WASHER, 5/16" SAE
4	5025013X10	6	BOLT, 3/8-16 X 1-1/4" GD5
5	5025394	9	NUT, 3/8-16 HEX NYLOCK FLANGE
6	5025326	2	WASHER, 2.00 X .390 X .135
7	5025013X16	2	BOLT, 3/8-16 X 2" GD5
8	5061227	2	BUSHING, DECK PIVOT
9	5025100	1	NUT, 3/8-16 HEX SIDE LOCK
10	5025146X16	1	BOLT, 3/8-16 X 2", CARRIAGE
11	5025515	2	PIN, ROLL, 3/16 X 1" PLAIN
12	5022366	4	PIN, 3/16" X 1-1/4" SPRING
13	5025443	4	BOLT, 3/8-16 X 3/4, GD5. YZ WITH PATCH
14	5100548	4	WASHER, .390 X 1.50 X.109 YZ
15	5023498	1	PIN, HITCH, 1/2 X 2.00 OAL, YP
16	5021880	1	GRIP, FOAM
17	5400982B	1	WELD, DECK LIFT CONTROL, IS3000 - RED
18	5025126	2	NUT, 1/4-20 HEX SERR. FLANGE
19	5025154	2	WASHER, 1/4" SAE
20	5025010X6	2	BOLT, 1/4-20 X 3/4" GD5 YZ
21	5025450	12	WASHER, SHIM, 5/8" X 18GA. YZ
22	5020095	2	GREASE FITTING, 1/4-28 STRAIGHT
23	5401655B	2	LINK, SPRING
24	5023355	2	SPRING, DECK LIFT ASSIST
25	5025017X28	1	BOLT, 1/2-13 X 3-1/2" GD5
26	5025056	1	NUT, 1/2-13 HEX NYLON LOCK
27	5400992B	1	WELD, DECK ADJUST LINK - RED
28	5025089	1	NUT, 1/2-20 HEX JAM
29	5047103	1	ADAPTER, CASTER AXLE
30	5022434	1	BALL JOINT, 1/2-20, MALE
31	5025040	8	NUT, 5/8-11 HEX
32	5047446	2	PIVOT, SPRING ROD
33	5045447	2	PIVOT, SPRING ROD
34	5402814B	2	PIVOT, DECK LIFT WELD.-LEFT
35	5402815B	2	PIVOT, DECK LIFT WELD.-RIGHT (Not shown)
36	5047522B	1	BAR, DECK LIFT WELD. - LH
37	5047523B	1	BAR, DECK LIFT WELD. - RH (Not shown)
38	5047761	2	ROD, DECK LIFT ASSEMBLY (61" model only.)
38	5100505	2	ROD, DECK LIFT ASSEMBLY (72" model only.)
39	5061304	2	ROD, DECK ADJUSTMENT
40	1715834	1	RUBBER, FOOT PEDAL

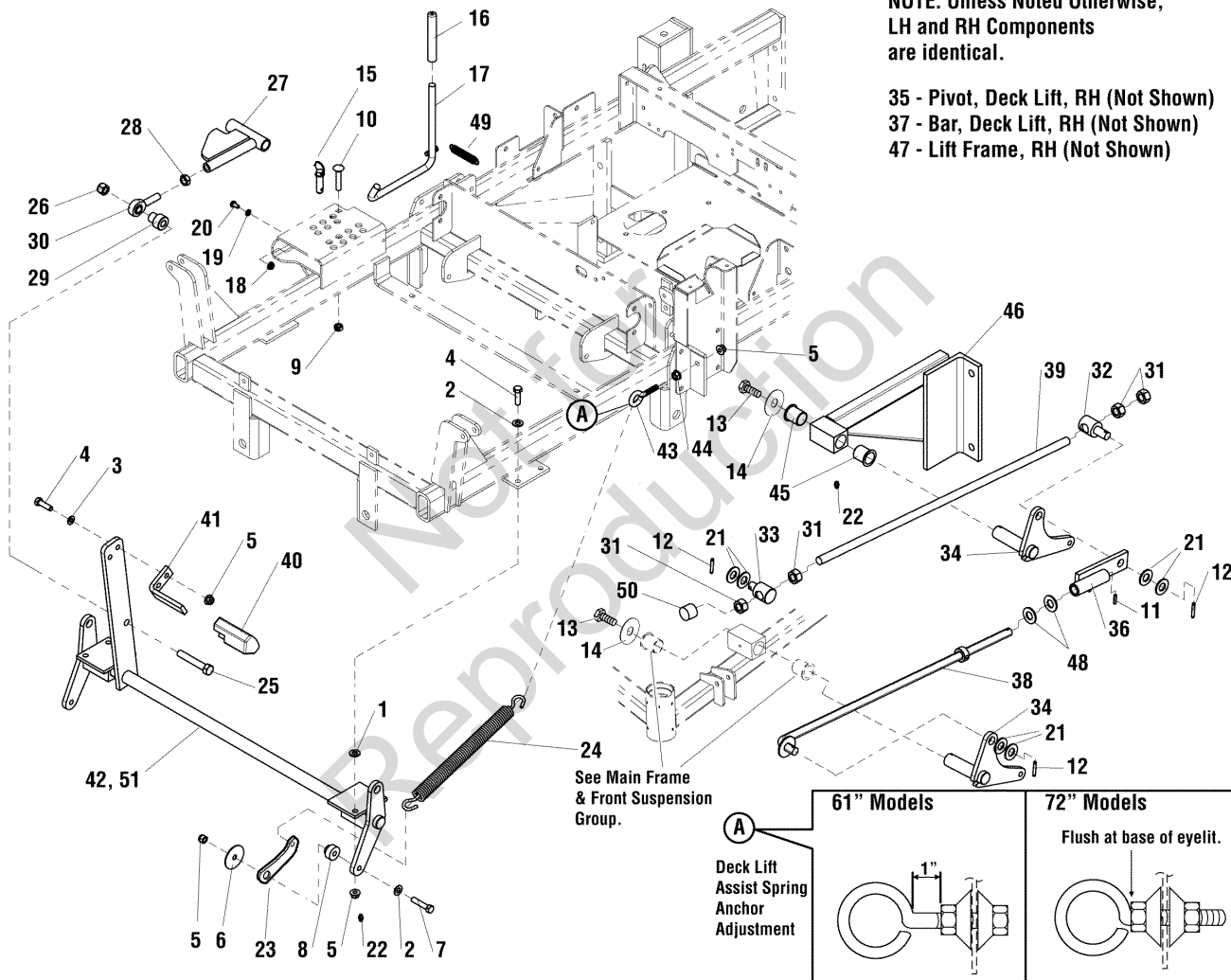
### Footnotes

#### The above parts group applies to the following Mfg. Nos.:

5900612 (IS3100ZK3061)	5900736 (IS3100ZBV3261 CAL)
5900716 (IS3100ZBV30/61 AUS/NZ)	5900753 (IS3100ZKAV37SS)
5900717 (IS3100ZBV32 AUS/NZ)	5900752 (IS3100ZKAV3761SS)
5900613 (IS3100ZBV3261)	5901186 (IS3100ZBV3061)
5900611 (IS3100ZLKAV2661)	
5901183 (IS3100ZBV32)	

## Deck Lift Group (S/N: 2000729894 & Above)

NOTE: Unless noted otherwise, use the standard hardware torque specification chart.



**The above parts group applies to the following Mfg. Nos.:**

- |                                 |                             |
|---------------------------------|-----------------------------|
| 5900612 (IS3100ZK3061)          | 5900736 (IS3100ZBV3261 CAL) |
| 5900716 (IS3100ZBV30/61 AUS/NZ) | 5900753 (IS3100ZKAV37SS)    |
| 5900717 (IS3100ZBV32 AUS/NZ)    | 5900752 (IS3100ZKAV3761SS)  |
| 5900613 (IS3100ZBV3261)         | 5901186 (IS3100ZBV3061)     |
| 5900611 (IS3100ZLKAV2661)       |                             |
| 5901183 (IS3100ZBV32)           |                             |

### Deck Lift Group (S/N: 2000729894 & Above)

REF NO	PART NO.	QTY.	DESCRIPTION
41	5061569B	1	PEDAL, FOOT
42	5400479B	1	WELD, DECK LIFT SHAFT 3000 - RED (S/N: 2000729894 - 2013102109)
43	5025441	1	EYEBOLT, 3/8-16 X 2 1/2"
44	5025128	1	NUT, 3/8-16 HEX SERRATED FLANGE
45	5023343	4	BUSHING, 1.00 X 1.13 X 1.38, PLASTIC
46	5061312B	1	WELD, LIFT FRAME, LH
47	5061311B	1	WELD, LIFT FRAME, RH (Not shown)
48	5025281	4	WASHER, 5/8" SAE (61" model only.)
49	5020639	1	SPRING, EXTENSION
50	5101028	2	CAP, VINYL - .562 X .750 - BLK
51	5404135B	1	WELD, DECK LIFT SHAFT 3100 - RED (S/N: 2013102110 & Above)

Not for  
Reproduction

### Footnotes

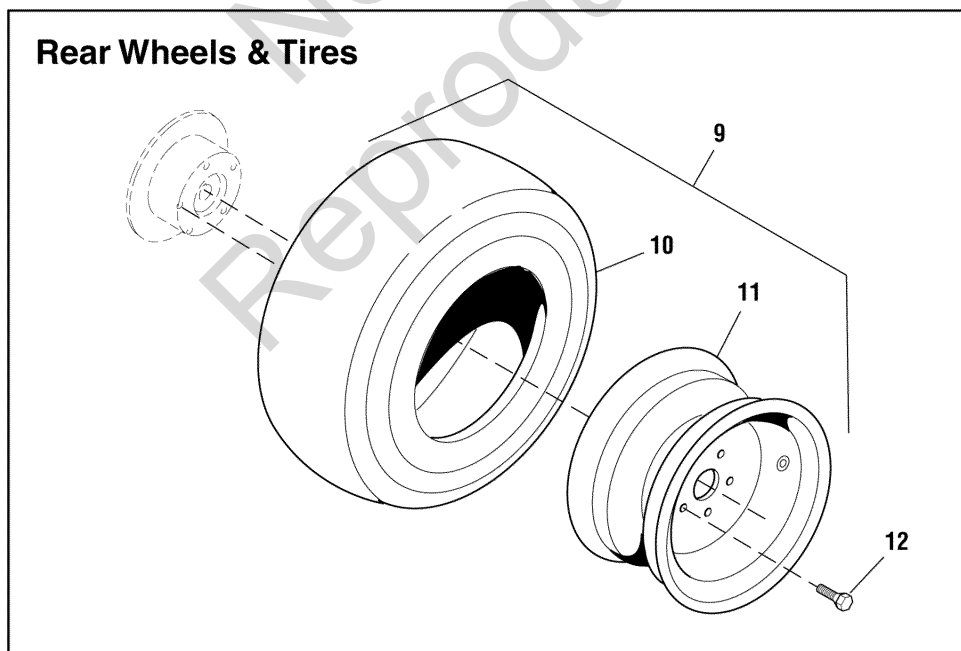
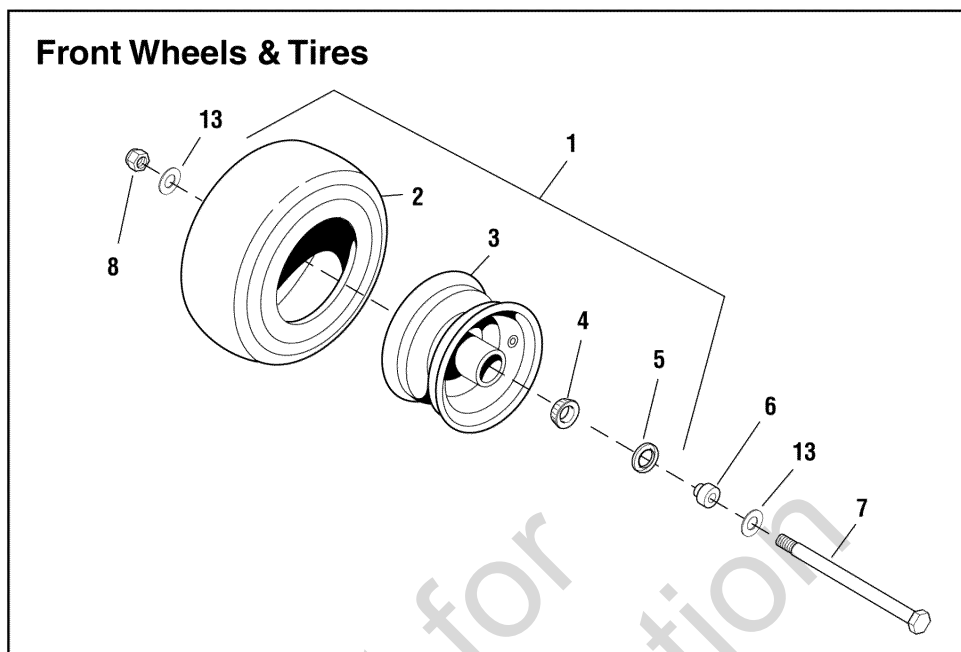
---

**The above parts group applies to the following Mfg. Nos.:**

5900612 (IS3100ZK3061)	5900736 (IS3100ZBV3261 CAL)
5900716 (IS3100ZBV30/61 AUS/NZ)	5900753 (IS3100ZKAV37SS)
5900717 (IS3100ZBV32 AUS/NZ)	5900752 (IS3100ZKAV3761SS)
5900613 (IS3100ZBV3261)	5901186 (IS3100ZBV3061)
5900611 (IS3100ZLKAV2661)	
5901183 (IS3100ZBV32)	

## Wheel & Tire Group

NOTE: Unless noted otherwise,  
use the standard hardware torque  
specification chart.



**The above parts group applies to the following Mfg. Nos.:**

5900613 (IS3100ZBV3261)	5900736 (IS3100ZBV3261 CAL)
5900716 (IS3100ZBV30/61 AUS/NZ)	5900753 (IS3100ZKAV37SS)
5900611 (IS3100ZLKAV2661)	5901183 (IS3100ZBV32)
5900612 (IS3100ZK3061)	5901186 (IS3100ZBV3061)
5900717 (IS3100ZBV32 AUS/NZ)	
5900752 (IS3100ZKAV3761SS)	

## Wheel & Tire Group

REF NO	PART NO.	QTY.	DESCRIPTION
1	5023136	2	TIRE ASSY, 13 X 6.5 SILVER (Includes Ref No. 2 - 5 & 14)
2	5022577	2	TIRE, FRONT, 13 x 6.5 x 6
3	5023136X1	2	WHEEL ASSEMBLY, for 13 x 6.5 x 6 Tires, Complete (Includes Ref No. 4 & 5)
4	5022631SX2	4	BEARING, TAPER ROLLER (2 per tire)
5	5022631SX3	4	GREASE SEAL (2 per tire)
6	5047103	4	ADAPTER, CASTER AXLE (2 per tire)
7	5025017X72	2	BOLT, 1/2-13 X 9" GD5 YZ
8	5025056	2	NUT, 1/2-13 HEX NYLON LOCK
9	5023365	2	TIRE ASSM, 24X12.00-12, SOLID (Includes Ref No. 10 & 11)
10	5023240X1	2	TIRE, REAR, 24 x 12 x 12
11	5023364	2	WHEEL ASSEMBLY, 12 x 8.5
12	5022215	10	BOLT, WHEEL LUG, 1/2" X 1-5/8
13	5025158	2	WASHER, 1/2" SAE
14	5022631SX4	2	BEARING, RACE (Not shown)

Not for  
Reproduction

### Footnotes

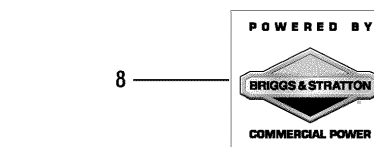
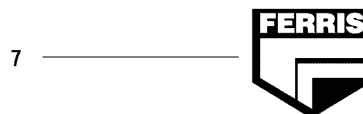
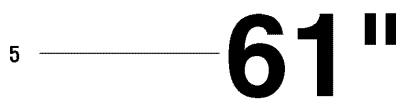
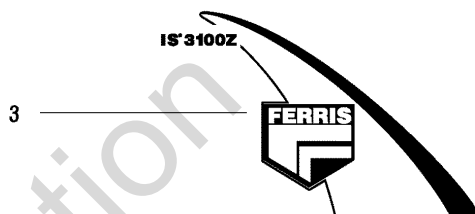
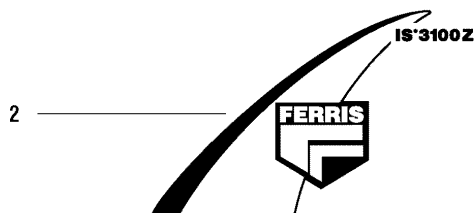
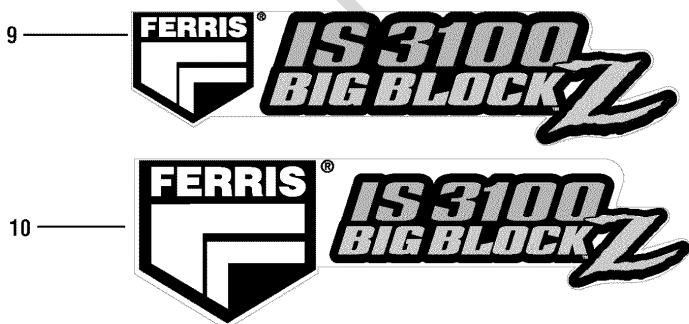
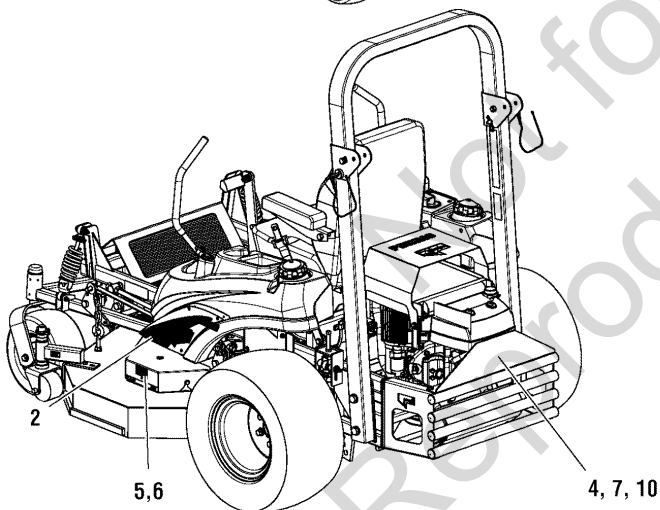
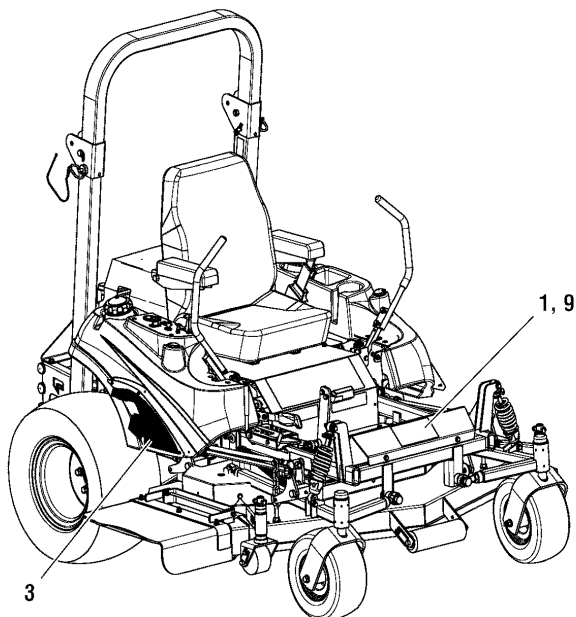
---

**The above parts group applies to the following Mfg. Nos.:**

5900613 (IS3100ZBV3261)	5900736 (IS3100ZBV3261 CAL)
5900716 (IS3100ZBV30/61 AUS/NZ)	5900753 (IS3100ZKAV37SS)
5900611 (IS3100ZLKAV2661)	5901183 (IS3100ZBV32)
5900612 (IS3100ZK3061)	5901186 (IS3100ZBV3061)
5900717 (IS3100ZBV32 AUS/NZ)	
5900752 (IS3100ZKAV3761SS)	

## Decal Group - Brand & Model

NOTE: Unless noted otherwise, use the standard hardware torque specification chart.



The above parts group applies to the following Mfg. Nos.:

5900717 (IS3100ZBV32 AUS/NZ)	5900612 (IS3100ZK3061)
5901186 (IS3100ZBV3061)	5900736 (IS3100ZBV3261 CAL)
5900716 (IS3100ZBV30/61 AUS/NZ)	5900752 (IS3100ZKAV3761SS)
5900611 (IS3100ZLKAV2661)	5900613 (IS3100ZBV3261)
5901183 (IS3100ZBV32)	
5900753 (IS3100ZKAV37SS)	

## Decal Group - Brand & Model

REF NO	PART NO.	QTY.	DESCRIPTION
1	5100345	1	DECAL, FERRIS, FRONT, 7.25 X 3.50
2	5100498	1	DECAL, BADGE, IS3100Z, LH
3	5100499	1	DECAL, BADGE, IS3100Z, RH
4	5400009	1	DECAL, FERRIS TEXT (2006 Kawasaki and Briggs & Stratton models only.)
5	5022813	1	DECAL, 61 (61" models only.)
6	5022814	1	DECAL, 72 (72" model only.)
7	5100369	1	DECAL, FERRIS LOGO, 5-3/8" (2007 Kawasaki models only.)
7	5100894	1	DECAL, FERRIS LOGO, 4" (2007 Kohler models only.)
8	276636	1	LABEL, BRIGGS & STRATTON LOGO (Briggs & Stratton models only.)
9	5101129	1	DECAL, 3100, BIG BLOCK, FRONT (Briggs & Stratton models only.)
10	5101130	1	DECAL, 3100, BIG BLOCK, REAR (Briggs & Stratton models only.)

Not for  
Reproduction

## Footnotes

---

### The above parts group applies to the following Mfg. Nos.:

5900717 (IS3100ZBV32 AUS/NZ)	5900612 (IS3100ZK3061)
5901186 (IS3100ZBV3061)	5900736 (IS3100ZBV3261 CAL)
5900716 (IS3100ZBV30/61 AUS/NZ)	5900752 (IS3100ZKAV3761SS)
5900611 (IS3100ZLKAV2661)	5900613 (IS3100ZBV3261)
5901183 (IS3100ZBV32)	
5900753 (IS3100ZKAV37SS)	

# Decal Group - Safety & Operation

**NOTE:** Unless noted otherwise, use the standard hardware torque specification chart.

**1** — [Decal: WARNING / ADVERTENCIA, DANGER / PELIGRO, AMPUTATION AND FLYING OBJECTS / PELIGRO DE AMPUTACION Y OBJETOS VOLANTES]

**2** — [Decal: DANGER / PELIGRO, AMPUTATION AND FLYING OBJECTS / PELIGRO DE AMPUTACION Y OBJETOS VOLANTES]

**3** — [Decal: DANGER / PELIGRO, AMPUTATION / PELIGRO DE AMPUTACION]

**4** — [Decal: DANGER / PELIGRO, PINCH POINT / PUNTO PUNZANTE]

**5** — [Decal: DANGER / PELIGRO, FOR HAZARD / PELIGRO DE AMPUTACION]

**6** — [Decal: WARNING / ADVERTENCIA, PINCH POINT / PUNTO PUNZANTE]

**7** — [Decal: Belts & Blades]

**8** — [Decal: Belts & Blades]

**9** — [Decal: Belts & Blades]

**10** — [Decal: HYDRAULIC OIL RESERVOIR]

**11** — [Decal: HYDRAULIC OIL RESERVOIR]

**12** — [Decal: HYDRAULIC OIL RESERVOIR]

**13** — [Decal: HYDRAULIC OIL RESERVOIR]

**14** — [Decal: MAXIMUM OIL LEVEL HOT]

**15** — [Decal: Key Switch]

**16** — [Decal: GREASE DAILY]

**17** — [Decal: Warning symbol]

**18** — [Decal: Warning symbol]

**Belts & Blades**

Tractor	5061501
Pump Drive Belt	5061501
61" Mower Deck Drive Belt	5022051
Mower Blade	5009462
72" Mower Deck Drive Belt	5100423
Mower Blade	5022476

**HYDRAULIC OIL RESERVOIR**

Use either Mobil 1™ 15W-50 Oil  
OR Castrol Syntec™ 5W-50 Oil  
DO NOT USE CONVENTIONAL OILS!

**MAXIMUM OIL LEVEL HOT**

Key Switch

Key Switch	20A
Charge Circuit	20A
PTO Clutch	20A
Auxiliary	20A

**GREASE DAILY**

The above parts group applies to the following Mfg. Nos.:

- |                                 |                             |
|---------------------------------|-----------------------------|
| 5900612 (IS3100ZK3061)          | 5900611 (IS3100ZLKA2661)    |
| 5900752 (IS3100ZKAV3761SS)      | 5901186 (IS3100ZBV3061)     |
| 5900717 (IS3100ZBV32 AUS/NZ)    | 5900753 (IS3100ZKAV37SS)    |
| 5900716 (IS3100ZBV30/61 AUS/NZ) | 5900736 (IS3100ZBV3261 CAL) |
| 5900613 (IS3100ZBV3261)         |                             |
| 5901183 (IS3100ZBV32)           |                             |



## Decal Group - Safety & Operation

REF NO	PART NO.	QTY.	DESCRIPTION
1	5100097	1	DECAL, MAIN SAFETY
2	5101292	1	DECAL, DANGER, MOWER DISCHARGE, 8.75X2.13
3	5100088	1	DECAL, DANGER, MOWER DISCHARGE
4	5100708	1	DECAL, DANGER, FIRE
5	5100709	1	DECAL, DANGER, FIRE (SP)
6	5100134	2	DECAL, WARNING PINCH POINT
7	1725941	1	DECAL, CZT HYDRO RELEASE (Located under seat plate.)
8	5100426	1	DECAL, BELTS AND BLADES, IS3100Z (Located under seat plate.)
9	5100342	1	DECAL, FUEL VALVE
10	5061724	1	DECAL, HEIGHT OF CUT
11	5100280	1	DECAL, THROTTLE CONTROL
12	5048970	1	DECAL, IGNITION CONTROL
13	5045923	1	DECAL, OIL RESERVOIR (Located on Hydraulic tank mounting bracket under seat plate.)
14	5045911	1	DECAL, MAX. OIL LEVEL (Located on Hydraulic tank under seat plate.)
15	5046503	1	DECAL, FUSE LOCATION
16	5021036	2	DECAL, GREASE DAILY
17	5102235	1	DECAL, INDICATOR LAMP (37HP Kawasaki DFI Models Only)
18	5100624	1	DECAL, FUEL VALVE, DFI (37HP Kawasaki DFI Models Only)

Not for  
Reproduction

### Footnotes

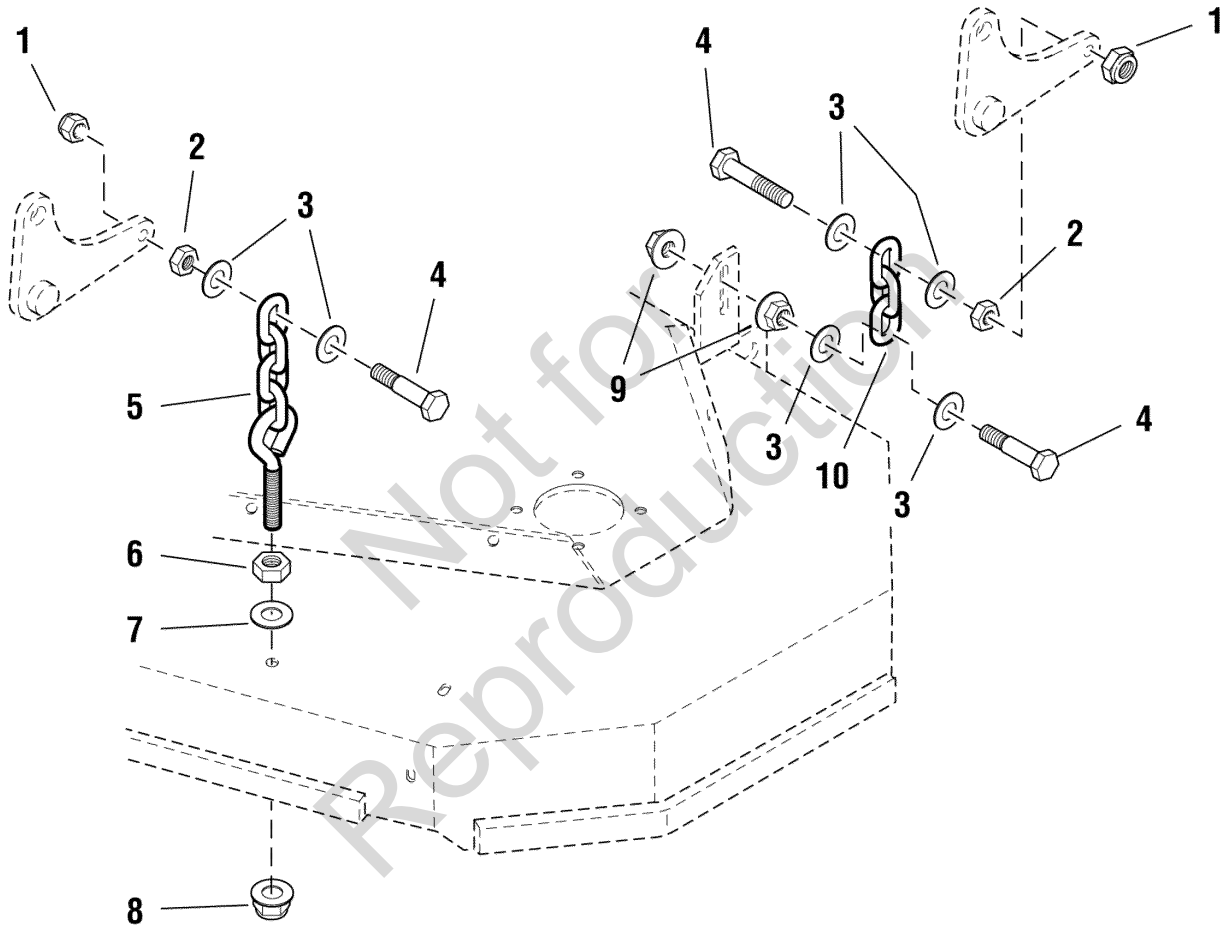
---

**The above parts group applies to the following Mfg. Nos.:**

5900612 (IS3100ZK3061)	5900611 (IS3100ZLKAV2661)
5900752 (IS3100ZKAV3761SS)	5901186 (IS3100ZBV3061)
5900717 (IS3100ZBV32 AUS/NZ)	5900753 (IS3100ZKAV37SS)
5900716 (IS3100ZBV30/61 AUS/NZ)	5900736 (IS3100ZBV3261 CAL)
5900613 (IS3100ZBV3261)	
5901183 (IS3100ZBV32)	

## 61" & 72" Mower Deck - Hanger Chains

NOTE: Unless noted otherwise,  
use the standard hardware torque  
specification chart.



The above parts group applies to the following Mfg. Nos.:

5900612 (IS3100ZK3061) 5900736 (IS3100ZBV3261 CAL)

5900716 (IS3100ZBV30/61 AUS/NZ)

5900752 (IS3100ZKAV3761SS)

5900611 (IS3100ZLKAV2661)

5900613 (IS3100ZBV3261)

5901186 (IS3100ZBV3061)

## 61" & 72" Mower Deck - Hanger Chains

REF NO	PART NO.	QTY.	DESCRIPTION
1	5025096	12	NUT, 3/8-16 HEX NYLON LOCK
2	5025084	4	NUT, 3/8-16 HEX JAM
3	5025156	12	WASHER, 3/8" SAE
4	5025013X16	6	BOLT, 3/8-16 X 2" GD5
5	5045026	2	HANGER, FRONT DECK - 4 LINK
6	5025038	2	NUT, 1/2-13 HEX
7	5025158	2	WASHER, 1/2" SAE
8	5025056	2	NUT, 1/2-13 HEX NYLON LOCK
9	5025128	4	NUT, 3/8-16 HEX SERRATED FLANGE
10	5050878X3	2	CHAIN, 5/16" GD30, 3 LINKS

Not for  
Reproduction

### Footnotes

---

**The above parts group applies to the following Mfg. Nos.:**

5900612 (IS3100ZK3061)                      5900736 (IS3100ZBV3261 CAL)

5900716 (IS3100ZBV30/61 AUS/NZ)

5900752 (IS3100ZKAV3761SS)

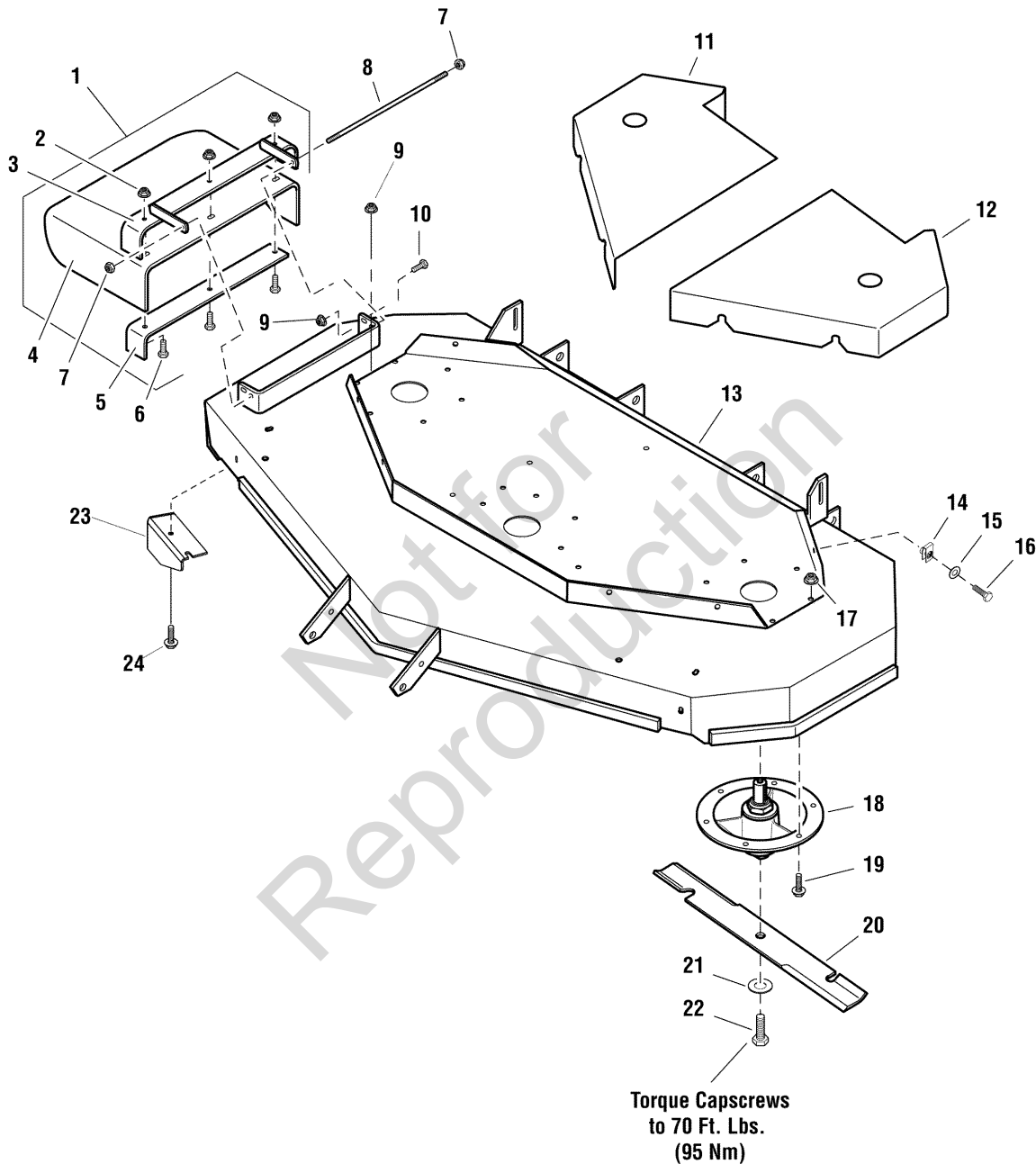
5900611 (IS3100ZLKAV2661)

5900613 (IS3100ZBV3261)

5901186 (IS3100ZBV3061)

# 61" Mower Deck - Housing, Covers, Spindles & Blades

NOTE: Unless noted otherwise, use the standard hardware torque specification chart.



The above parts group applies to the following Mfg. Nos.:

- 5901186 (IS3100ZBV3061)                      5900613 (IS3100ZBV3261)
- 5900752 (IS3100ZKAV3761SS)
- 5900716 (IS3100ZBV30/61 AUS/NZ)
- 5900736 (IS3100ZBV3261 CAL)
- 5900611 (IS3100ZLKAV2661)
- 5900612 (IS3100ZK3061)

## 61" Mower Deck - Housing, Covers, Spindles & Blades

REF NO	PART NO.	QTY.	DESCRIPTION
1	5600086	1	61" RUBBER CHUTE ASSEMBLY, Complete (Includes Ref No. 2 - 6)
2	5025394	3	NUT, 3/8-16 HEX NYLOCK FLANGE
3	5061293B	1	WELD, FRAME, CHUTE, 61 - RED
4	5402403	1	CHUTE, DISCHARGE, RUBBER, 61/72
5	5402360B	1	SUPPORT, DISCHARGE CHUTE, 61 - RED
6	5025013X10	3	BOLT, 3/8-16 X 1-1/4" GD5
7	5025045	2	NUT, 5/16-24 HEX NYLON LOCK
8	5061300	1	ROD, MOUNT CHUTE, 61"
9	5025392	3	NUT, 5/16-18 HEX NYLOCK FLANGE
10	5025411	1	BOLT, 5/16-18 X 3/4" FLANGE
11	5061450B	1	GUARD 61" - RH
12	5061451B	1	GUARD 61" - LH
13	5600045	1	DECK SHELL W/DECALS, 61" SIDE DISCHARGE (Includes safety decals.)
14	5022308	6	BODY CLIP, 5/16-18 X 1/2" DEEP
15	5025155	6	WASHER, 5/16" SAE
16	5025011X6	6	BOLT, 5/16-18 X 3/4" GD5
17	5025394	18	NUT, 3/8-16 HEX NYLOCK FLANGE
18	5049438	3	ASSM, SPINDLE, BOTTOM MOUNT
19	5025390X10	18	BOLT, 3/8-16 X 1-1/4", FLANGE
20	5020842	3	BLADE, 21"
21	5025477	3	WASHER, 5/8" GRADE 8, YZ
22	5025320X14	3	BOLT, 5/8-11 X 1-3/4" GD8
23	5401344B	1	PLATE, DEFLECTOR - RED
24	5025145X6	2	BOLT, 5/16-18 X 3/4, CARRIAGE

Not for  
Reproduction

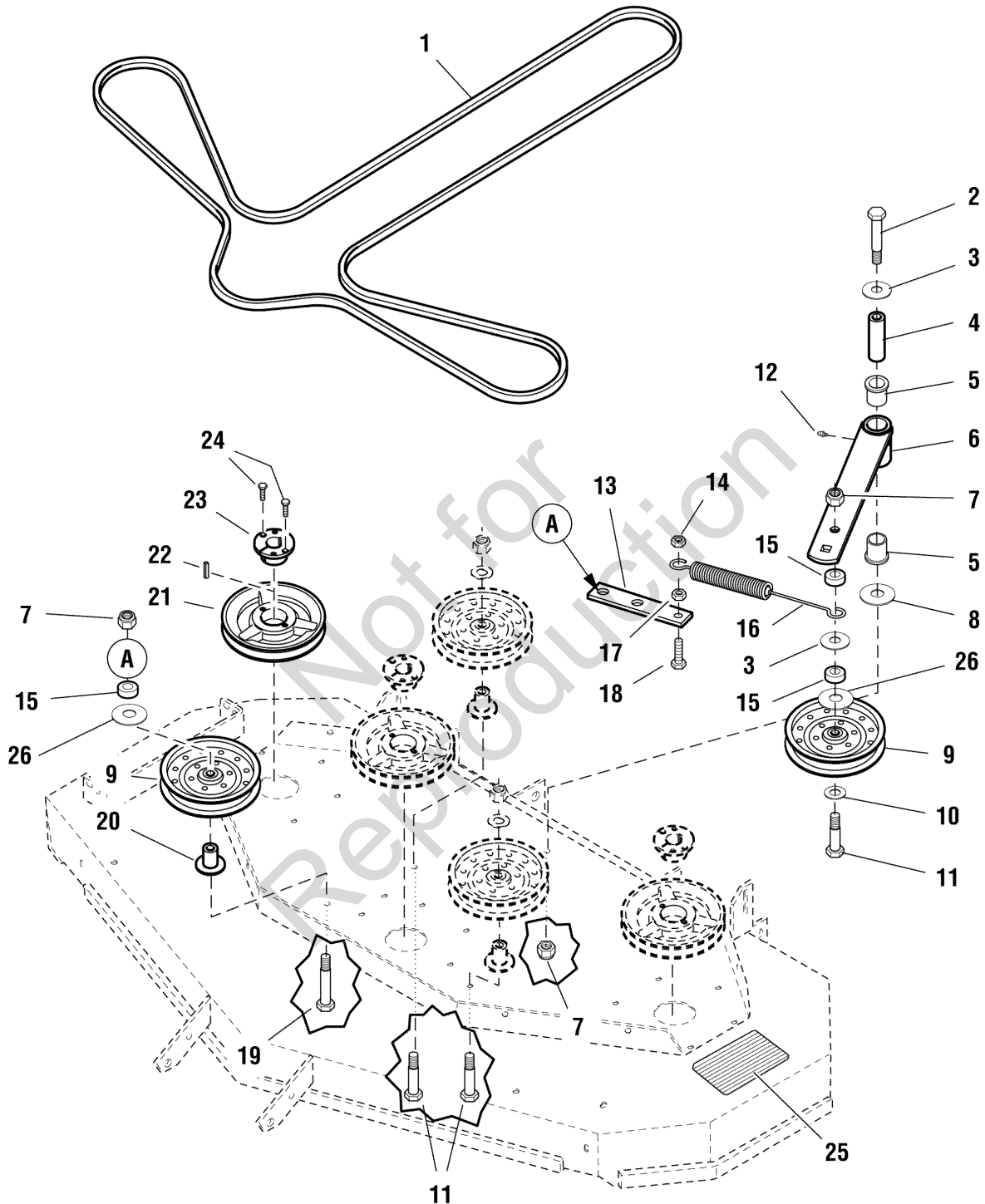
### Footnotes

**The above parts group applies to the following Mfg. Nos.:**

- 5901186 (IS3100ZBV3061)                      5900613 (IS3100ZBV3261)
- 5900752 (IS3100ZKAV3761SS)
- 5900716 (IS3100ZBV30/61 AUS/NZ)
- 5900736 (IS3100ZBV3261 CAL)
- 5900611 (IS3100ZLKAV2661)
- 5900612 (IS3100ZK3061)

# 61" Mower Deck - Pulleys, Belt & Idler Arm

NOTE: Unless noted otherwise,  
use the standard hardware torque  
specification chart.



The above parts group applies to the following Mfg. Nos.:

5900612 (IS3100ZK3061)	5900716 (IS3100ZBV30/61 AUS/NZ)
5900736 (IS3100ZBV3261 CAL)	
5900611 (IS3100ZLKAV2661)	
5900752 (IS3100ZKAV3761SS)	
5901186 (IS3100ZBV3061)	
5900613 (IS3100ZBV3261)	

## 61" Mower Deck - Pulleys, Belt & Idler Arm

REF NO	PART NO.	QTY.	DESCRIPTION
1	5022061	1	BELT, #7-4918
2	5025017X36	1	BOLT, 1/2-13 X 4-1/2" GD5
3	5025150	2	WASHER, 1/2" USS
4	5045022	1	SPACER, .52 X 1.00 X 3.50
5	5021541	2	BUSHING, FLANGE
6	5061305B	1	WELD, IDLER ARM
7	5025056	5	NUT, 1/2-13 HEX NYLON LOCK
8	5025158	1	WASHER, 1/2" SAE
9	5600184	4	KIT, PULLEY & SHIELD (Includes Part Nos 5021976 & 5101103)
10	5025158	4	WASHER, 1/2" SAE
11	5025017X24	3	BOLT, 1/2-13 X 3" GD5
12	5020095	1	GREASE FITTING, 1/4-28 STRAIGHT
13	5061226B	1	MOUNT, IDLER SPRING
14	5025394	1	NUT, 3/8-16 HEX NYLOCK FLANGE
15	5045023	3	SPACER, .52 X 1.00 X .44
16	5023340	1	SPRING, EXTENSION, SWIVEL END
17	5025034	1	NUT, 3/8-16 HEX
18	5025013X10	1	BOLT, 3/8-16 X 1-1/4" GD5
19	5025017X28	1	BOLT, 1/2-13 X 3-1/2" GD5
20	5046434B	3	WELD, MOUNT, IDLER
21	5020815	3	PULLEY, SPINDLE, BH66
22	5022726	3	KEY 1/4 SQ X 1 1/2 LONG
23	5020819	3	BUSHING, TAPERED HUB
24	5025010X8	6	BOLT, 1/4-20 X 1", GD5
25	5101004	1	SAFETY WALK, 4.00 X 7.50
26	5101103	4	SHIELD, PULLEY BEARING

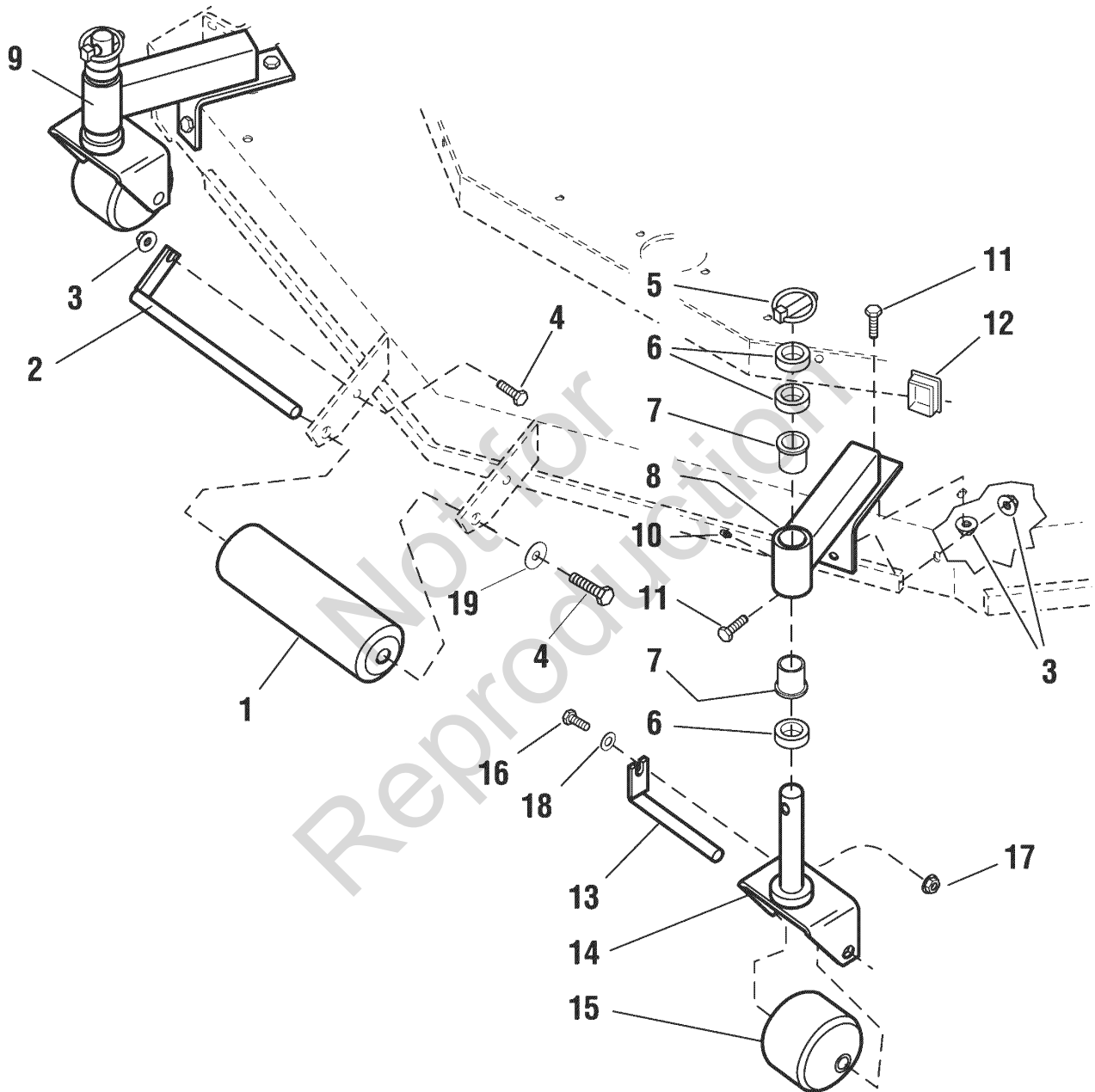
### Footnotes

**The above parts group applies to the following Mfg. Nos.:**

5900612 (IS3100ZK3061)                      5900716 (IS3100ZBV30/61 AUS/NZ)  
 5900736 (IS3100ZBV3261 CAL)  
 5900611 (IS3100ZLKAV2661)  
 5900752 (IS3100ZKAV3761SS)  
 5901186 (IS3100ZBV3061)  
 5900613 (IS3100ZBV3261)

## 61" Mower Deck - Rollers & Casters

NOTE: Unless noted otherwise,  
use the standard hardware torque  
specification chart.



The above parts group applies to the following Mfg. Nos.:

5900612 (IS3100ZK3061)                      5900613 (IS3100ZBV3261)

5900611 (IS3100ZLKAV2661)

5901186 (IS3100ZBV3061)

5900752 (IS3100ZKAV3761SS)

5900716 (IS3100ZBV30/61 AUS/NZ)

5900736 (IS3100ZBV3261 CAL)



## 61" Mower Deck - Rollers & Casters

REF NO	PART NO.	QTY.	DESCRIPTION
1	5020785	1	ROLLER, DECK
2	5041655B	1	WELD, BRACKET, ROLLER PIN
3	5025128	5	NUT, 3/8-16 HEX SERRATED FLANGE
4	5025013X8	2	BOLT, 3/8-16 X 1" GD5 YZ
5	5020655	2	PIN, LYNCH, 7/16
6	5041476	6	SPACER, 1.02 X 1.56 X .50
7	5021541	4	BUSHING, FLANGE
8	5600280	1	ASSM, ARM, DECK CASTER, LH (Includes bushings and grease fitting)
9	5600279	1	ASSM, ARM, DECK CASTER, RH (Includes bushings and grease fitting)
10	5020095	2	GREASE FITTING, 1/4-28 STRAIGHT
11	5025013X6	4	BOLT, 3/8-16 X 3/4" GD5 YZ
12	5022098	2	CAP, 1-1/2 X 2 X 11GA, PLASTIC
13	5045034B	2	WELD, CASTER ROLLER PIN
14	5045188B	2	WELD, CASTER YOKE
15	5022060	2	ROLLER, SMALL
16	5025011X6	2	BOLT, 5/16-18 X 3/4" GD5
17	5025127	2	NUT, 5/16-18 HEX SERRATED FLANGE (SMALL)
18	5025292	2	WASHER, 5/16" GD.9 FLAT
19	5100548	1	WASHER, .390 X 1.50 X .109 YZ

Not for  
Reproduction

### Footnotes

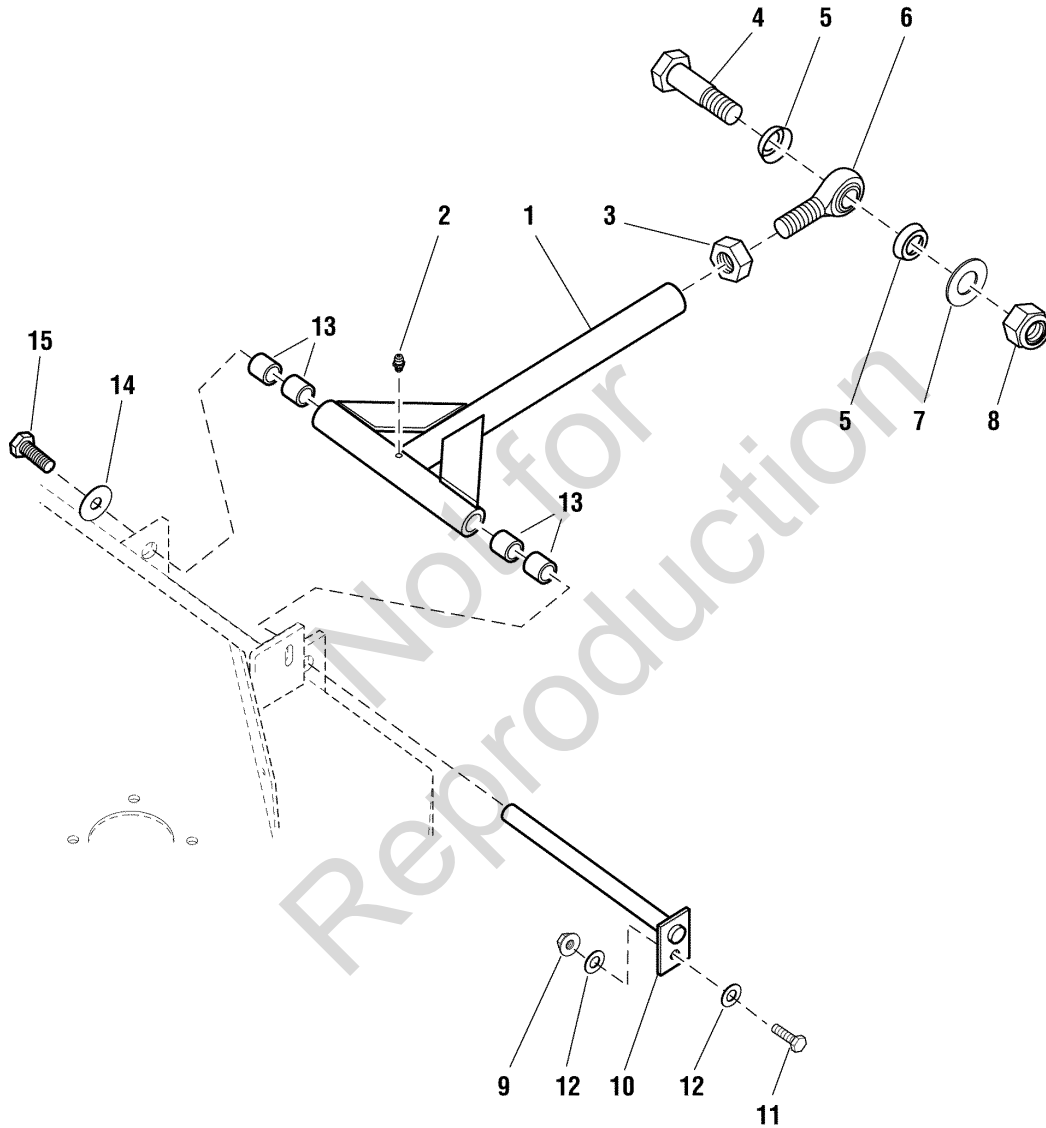
---

**The above parts group applies to the following Mfg. Nos.:**

5900612 (IS3100ZK3061)                      5900613 (IS3100ZBV3261)  
5900611 (IS3100ZLKAV2661)  
5901186 (IS3100ZBV3061)  
5900752 (IS3100ZKAV3761SS)  
5900716 (IS3100ZBV30/61 AUS/NZ)  
5900736 (IS3100ZBV3261 CAL)

## 61" Mower Deck - Rear Mount Bars

NOTE: Unless noted otherwise,  
use the standard hardware torque  
specification chart.



**The above parts group applies to the following Mfg. Nos.:**

5900611 (IS3100ZLKAV2661)      5900736 (IS3100ZBV3261 CAL)

5900716 (IS3100ZBV30/61 AUS/NZ)

5900752 (IS3100ZKAV3761SS)

5900612 (IS3100ZK3061)

5900613 (IS3100ZBV3261)

5901186 (IS3100ZBV3061)

## 61" Mower Deck - Rear Mount Bars

REF NO	PART NO.	QTY.	DESCRIPTION
1	5045009	2	DECK PUSHER BAR, Complete (Includes Ref No. 13)
2	5020095	2	GREASE FITTING, 1/4-28 STRAIGHT
3	5025093	2	NUT, 3/4-16 HEX JAM
4	5025265X24	2	BOLT, 3/4-16 X 3" YZ GD5
5	5022111	4	SEAL, 3/4" ROD END
6	5022039	2	BALL JOINT, 3/4-16 MALE
7	5025160	2	WASHER, 3/4" SAE
8	5025284	2	NUT, 3/4-16 HEX NYLON LOCK
9	5025096	2	NUT, 3/8-16 HEX NYLON LOCK
10	5045037B	2	WELD, DECK MOUNT SHAFT
11	5025013X8	2	BOLT, 3/8-16 X 1" GD5
12	5025156	4	WASHER, 3/8" SAE
13	5023344	8	BUSHING, .75 X 1.00 X 1.00, PLASTIC (Qty. (4) per pusher bar)
14	5100548	2	WASHER, .390 X 1.50 X .109 YZ
15	5025013X8	2	BOLT, 3/8-16 X 1 GD5 YZ

Not for  
Reproduction

### Footnotes

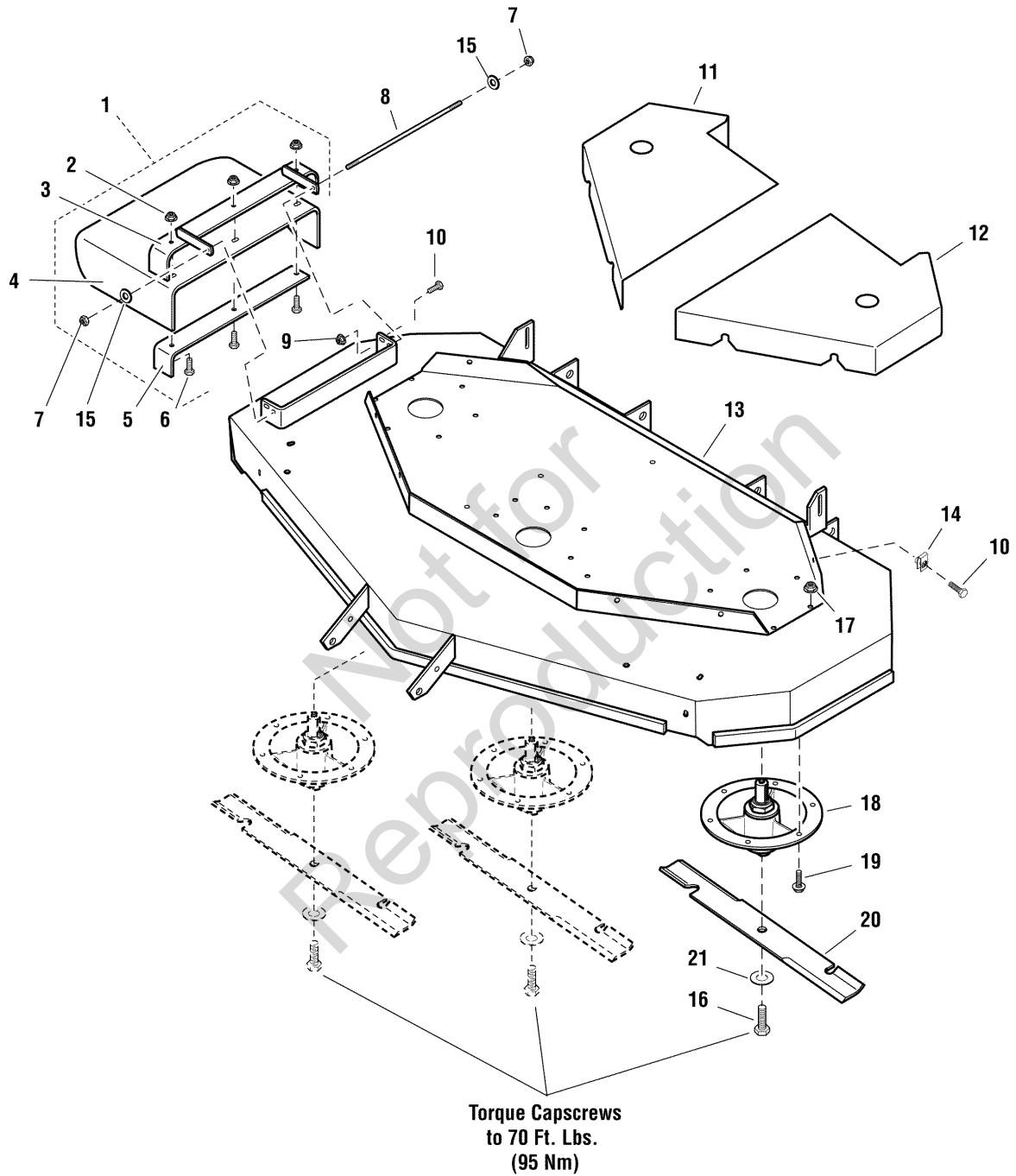
---

**The above parts group applies to the following Mfg. Nos.:**

5900611 (IS3100ZLKAV2661)      5900736 (IS3100ZBV3261 CAL)  
5900716 (IS3100ZBV30/61 AUS/NZ)  
5900752 (IS3100ZKAV3761SS)  
5900612 (IS3100ZK3061)  
5900613 (IS3100ZBV3261)  
5901186 (IS3100ZBV3061)

## 72" Mower Deck - Housing, Covers, Spindles & Blades

NOTE: Unless noted otherwise,  
use the standard hardware torque  
specification chart.



The above parts group applies to the following Mfg. Nos.:

5901184 (3100/72)

5900718 (3100/72 AUS/NZ)

## 72" Mower Deck - Housing, Covers, Spindles & Blades

REF NO	PART NO.	QTY.	DESCRIPTION
1	5600086	1	61" / 72" RUBBER CHUTE ASSEMBLY, Complete (Includes Ref No. 2 - 6)
2	5025394	3	NUT, 3/8-16 HEX NYLOCK FLANGE
3	5061293B	1	WELD, FRAME, CHUTE, 61 / 72 - RED
4	5402403	1	CHUTE, DISCHARGE, RUBBER, 61 / 72
5	5402360B	1	SUPPORT, DISCHARGE CHUTE, 61 / 72 - RED
6	5025013X10	3	BOLT, 3/8-16 X 1-1/4" GD5
7	5025045	2	NUT, 5/16-24 HEX NYLON LOCK
8	5061300	1	ROD MOUNT, CHUTE
9	5025392	1	NUT, 5/16-18 HEX NYLOCK FLANGE
10	5025411	7	BOLT, 5/16-18 X 3/4" FLANGE
11	5401136B	1	GUARD 72" - RH - RED
12	5401137B	1	GUARD 72" - LH - RED
13	5600075	1	DECK SHELL W/DECALS (Includes safety decals.)
14	5022308	6	BODY CLIP, 5/16-18 X 1/2" DEEP
15	5025292	2	WASHER, 5/16" GR.9 FLAT
16	5025320X14	3	BOLT, 5/8-11 X 1-3/4" GD8
17	5025394	18	NUT, 3/8-16 HEX NYLOCK FLANGE
18	5049438	3	ASSM, SPINDLE, BOTTOM MOUNT
19	5025390X10	18	BOLT, 3/8-16 X 1-1/4", FLANGE
20	5022476	3	BLADE, 25"
21	5025477	3	WASHER, 5/8" GRADE 8, YZ

### Footnotes

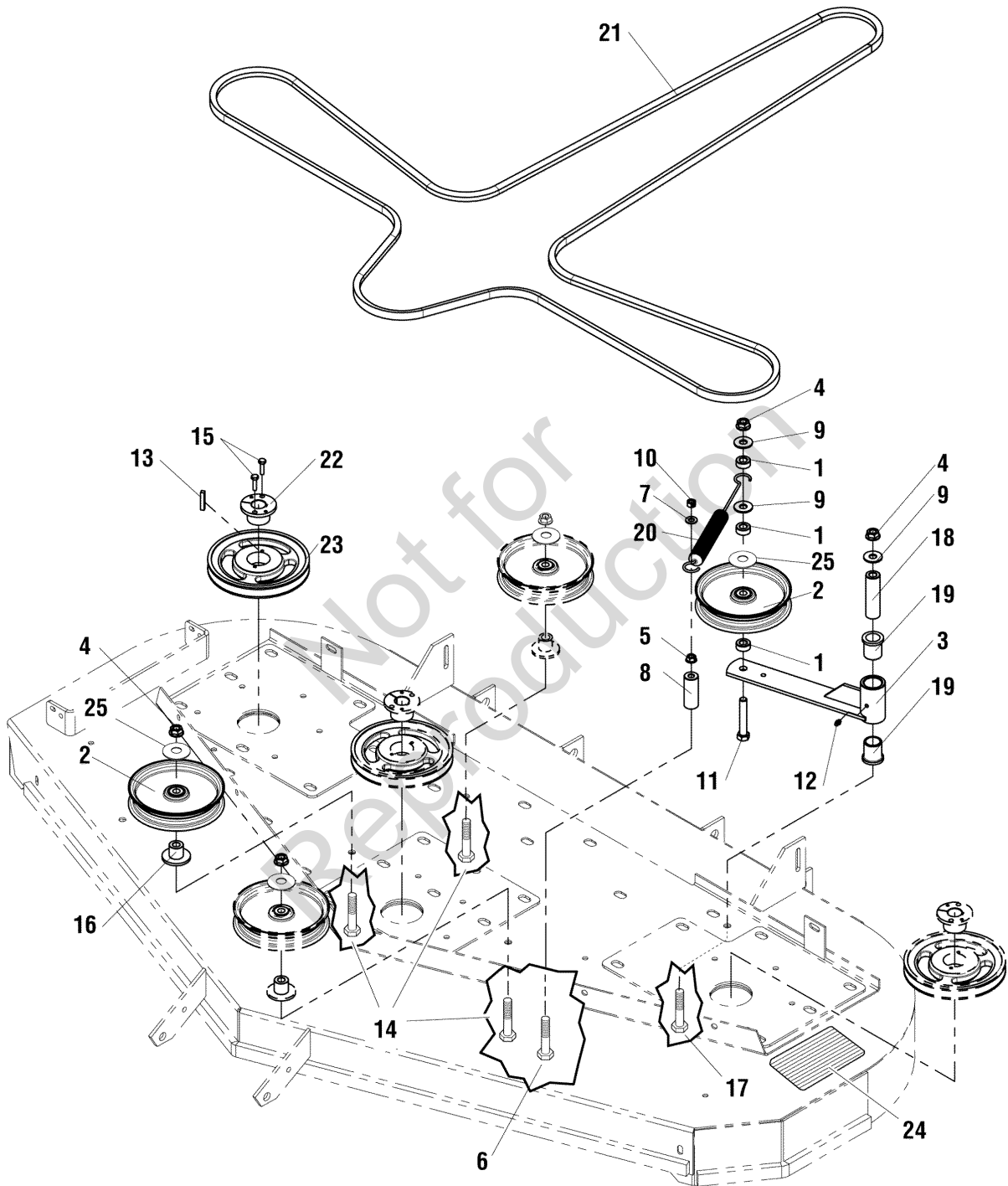
The above parts group applies to the following Mfg. Nos.:

5901184 (3100/72)

5900718 (3100/72 AUS/NZ)

## 72" Mower Deck - Pulleys, Belt & Idler Arm

NOTE: Unless noted otherwise,  
use the standard hardware torque  
specification chart.



The above parts group applies to the following Mfg. Nos.:

5900718 (3100/72 AUS/NZ)

5901184 (3100/72)

## 72" Mower Deck - Pulleys, Belt & Idler Arm

REF NO	PART NO.	QTY.	DESCRIPTION
1	5045023	3	SPACER, .52 X 1.00 X .44
2	5600184	4	KIT, PULLEY & SHIELD (Includes Part Nos 5021976 & 5101103)
3	5045019B	1	WELD, IDLER ARM - RED
4	5025396	5	NUT, 1/2-13 HEX NYLOCK FLANGE
5	5025128	1	NUT, 3/8-16 HEX LG. SERR FLG
6	5025013X32	1	BOLT, 3/8-16 X 4" GD5
7	5025156	1	WASHER 3/8" SAE
8	5100613	1	SPACER, .39 X 1.00 X 2.55 YZ
9	5025150	3	WASHER, 1/2" USS
10	5025100	1	NUT, 3/8-16 HEX SIDE LOCK
11	5025017X28	1	BOLT, 1/2-13 X 3-1/2" GD5
12	5020095	1	GREASE FITTING, 1/4-28 STR
13	5022726	3	KEY 1/4 SQ X 1-1/2 LONG
14	5025017X22	3	BOLT, 1/2-13 X 2-3/4" GD5
15	5025010X8	6	BOLT, 1/4-20 X 1" GD5
16	5046434B	3	WELD, MOUNT, IDLER - RED
17	5025017X36	1	BOLT, 1/2-13 X 4-1/2" GD5
18	5045022	1	SPACER, .52 X 1.00 X 3.50
19	5021541	2	BUSHING, FLANGE
20	5023340	1	SPRING, EXTENSION, SWIVEL END
21	5100423	1	BELT, HB-SEC, 193.90EL, ARAMID, WRPD
22	5020819	3	BUSHING, TAPERED HUB
23	5022794	3	PULLEY, SPINDLE, BH72
24	5101004	1	SAFETY WALK, 4.00 X 7.50
25	5101103	4	SHIELD, PULLEY BEARING

### Footnotes

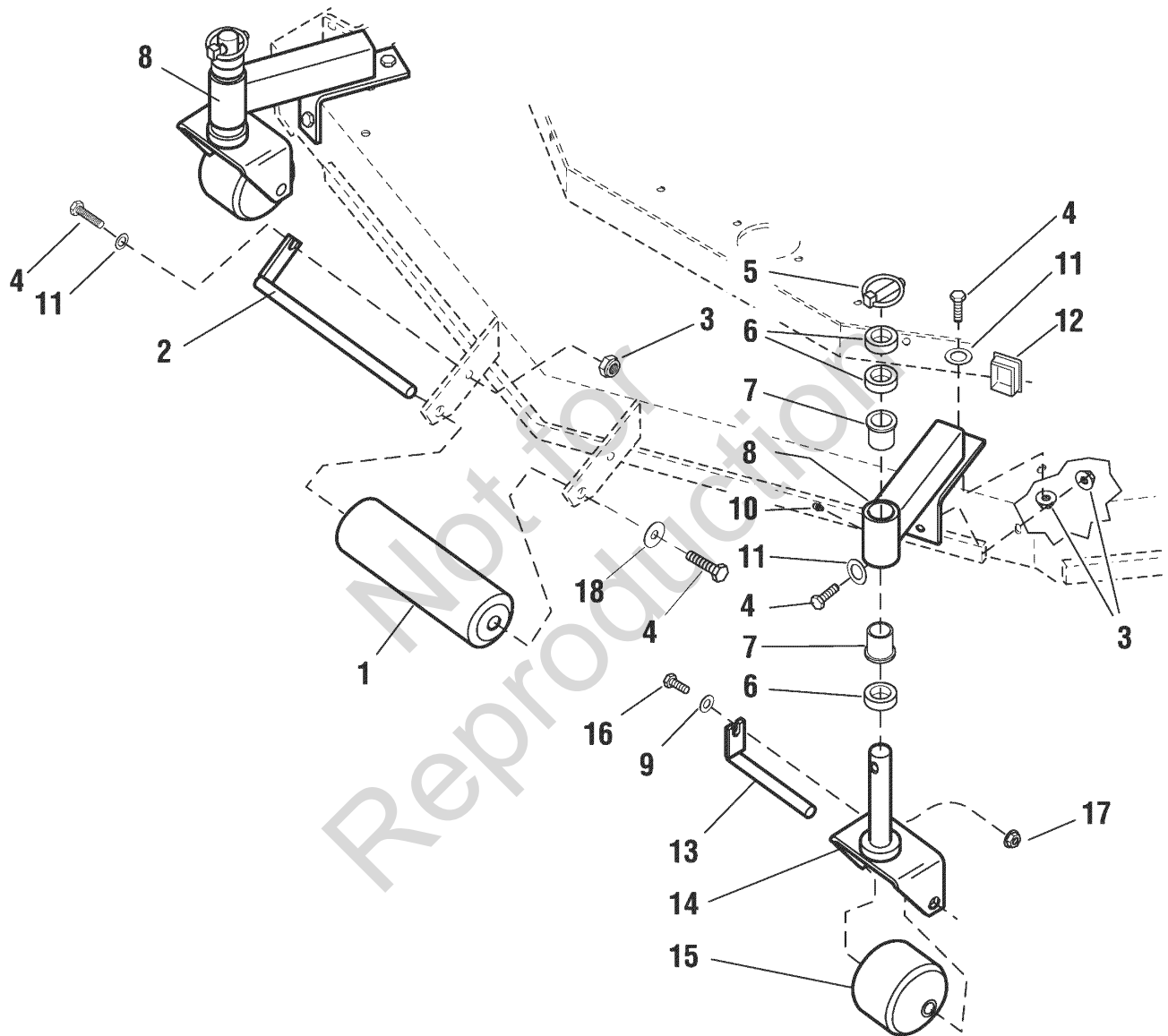
The above parts group applies to the following Mfg. Nos.:

5900718 (3100/72 AUS/NZ)

5901184 (3100/72)

## 72" Mower Deck - Rollers & Casters

NOTE: Unless noted otherwise,  
use the standard hardware torque  
specification chart.



The above parts group applies to the following Mfg. Nos.:

5900718 (3100/72 AUS/NZ)

5901184 (3100/72)



## 72" Mower Deck - Rollers & Casters

REF NO	PART NO.	QTY.	DESCRIPTION
1	5020785	1	ROLLER, DECK
2	5041655B	1	WELD, BRACKET, ROLLER PIN - RED
3	5025394	5	NUT, 3/8-16 HEX NYLOCK FLANGE
4	5025013X8	6	BOLT, 3/8-16 X 1" GD5 YZ
5	5020655	2	PIN, LYNCH, 7/16
6	5041476	6	SPACER, 1.02 X 1.56 X .50
7	5021541	4	BUSHING, FLANGE
8	5046965B	2	ARM, DECK CASTER WELDMENT - RED
9	5025155	2	WASHER, 5/16" SAE
10	5020095	2	GREASE FITTING, 1/4-28 STRAIGHT
11	5025156	5	WASHER, 3/8 SAE
12	5022098	2	CAP, 1-1/2 X 2 X 11GA, PLASTIC
13	5045034B	2	WELD, CASTER ROLLER PIN - RED
14	5045188B	2	WELD, CASTER YOKE - RED
15	5022060	2	ROLLER, SMALL
16	5025011X8	2	BOLT, 5/16-18 X 1" GD5 YZ
17	5025127	2	NUT, 5/16-18 HEX SERRATED FLANGE (SMALL)
18	5100548	1	WASHER, .390 X 1.50 X .109 YZ

Not for  
Reproduction

### Footnotes

---

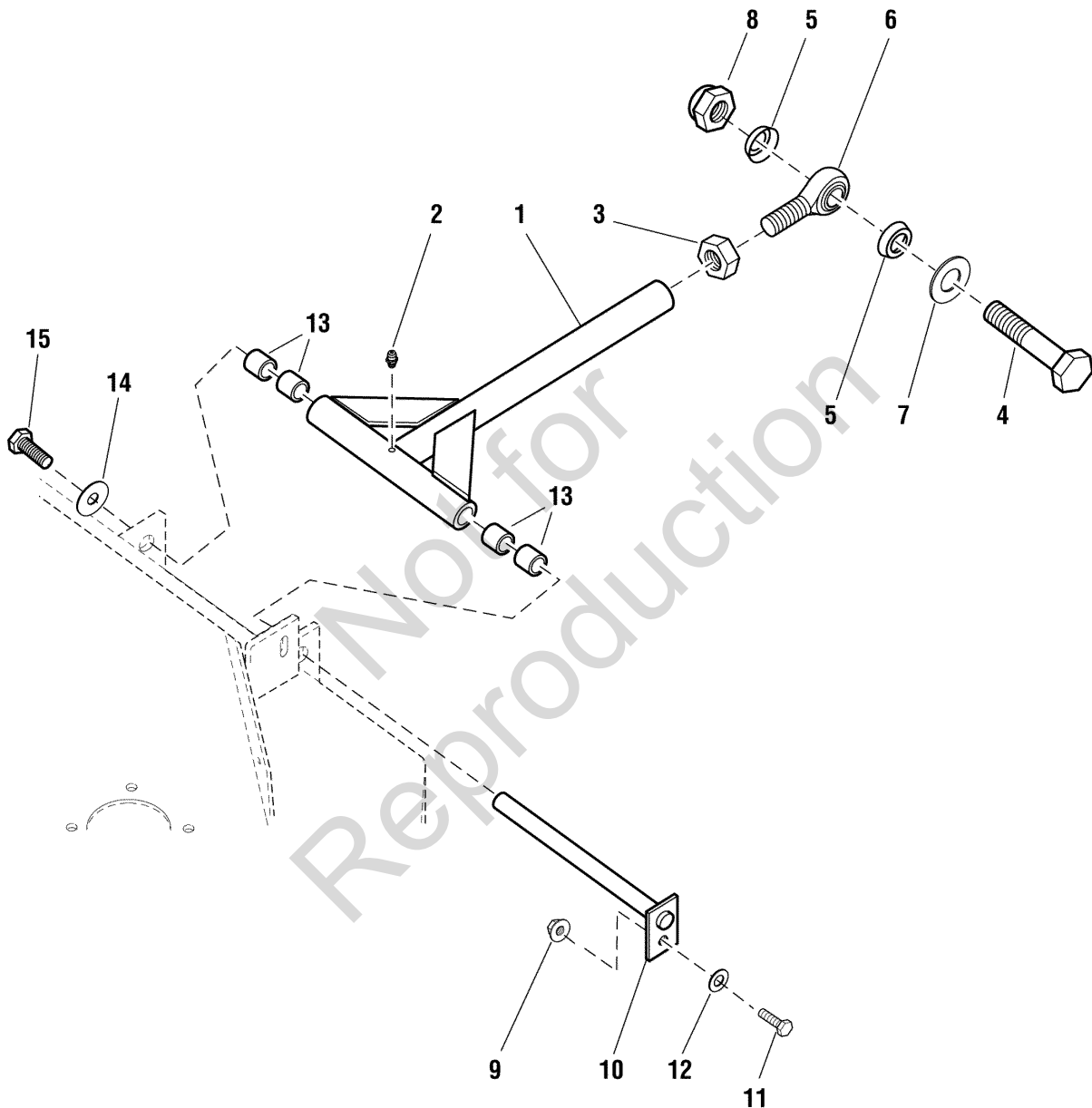
The above parts group applies to the following Mfg. Nos.:

5900718 (3100/72 AUS/NZ)

5901184 (3100/72)

## 72" Mower Deck - Rear Mount Bars

NOTE: Unless noted otherwise,  
use the standard hardware torque  
specification chart.



The above parts group applies to the following Mfg. Nos.:

5901184 (3100/72)

5900718 (3100/72 AUS/NZ)

## 72" Mower Deck - Rear Mount Bars

REF NO	PART NO.	QTY.	DESCRIPTION
1	5045009	2	DECK PUSHER BAR (Includes Qty. (4) of Ref. 13.)
2	5020095	2	GREASE FITTING, 1/4-28 STRAIGHT
3	5025093	2	NUT, 3/4-16 HEX JAM
4	5025265X24	2	BOLT, 3/4-16 X 3" YZ GD5
5	5022111	4	SEAL, 3/4" ROD END
6	5022039	2	BALL JOINT, 3/4-16 MALE
7	5025160	2	WASHER, 3/4" SAE
8	5025284	2	NUT, 3/4-16 HEX NYLON LOCK
9	5025096	2	NUT, 3/8-16 HEX NYLON LOCK
10	5045037B	2	WELD, DECK MOUNT SHAFT
11	5025013X10	2	BOLT, 3/8-16 X 1-1/4" GD5
12	5025156	2	WASHER, 3/8" SAE
13	5023344	8	BUSHING, .75 X 1.00 X 1.00, PLASTIC (Qty. (4) per pusher bar)
14	5100548	2	WASHER, .390 X 1.50 X .109 YZ
15	5025013X8	2	BOLT, 3/8-16 X 1 GD5 YZ

Not for  
Reproduction

### Footnotes

---

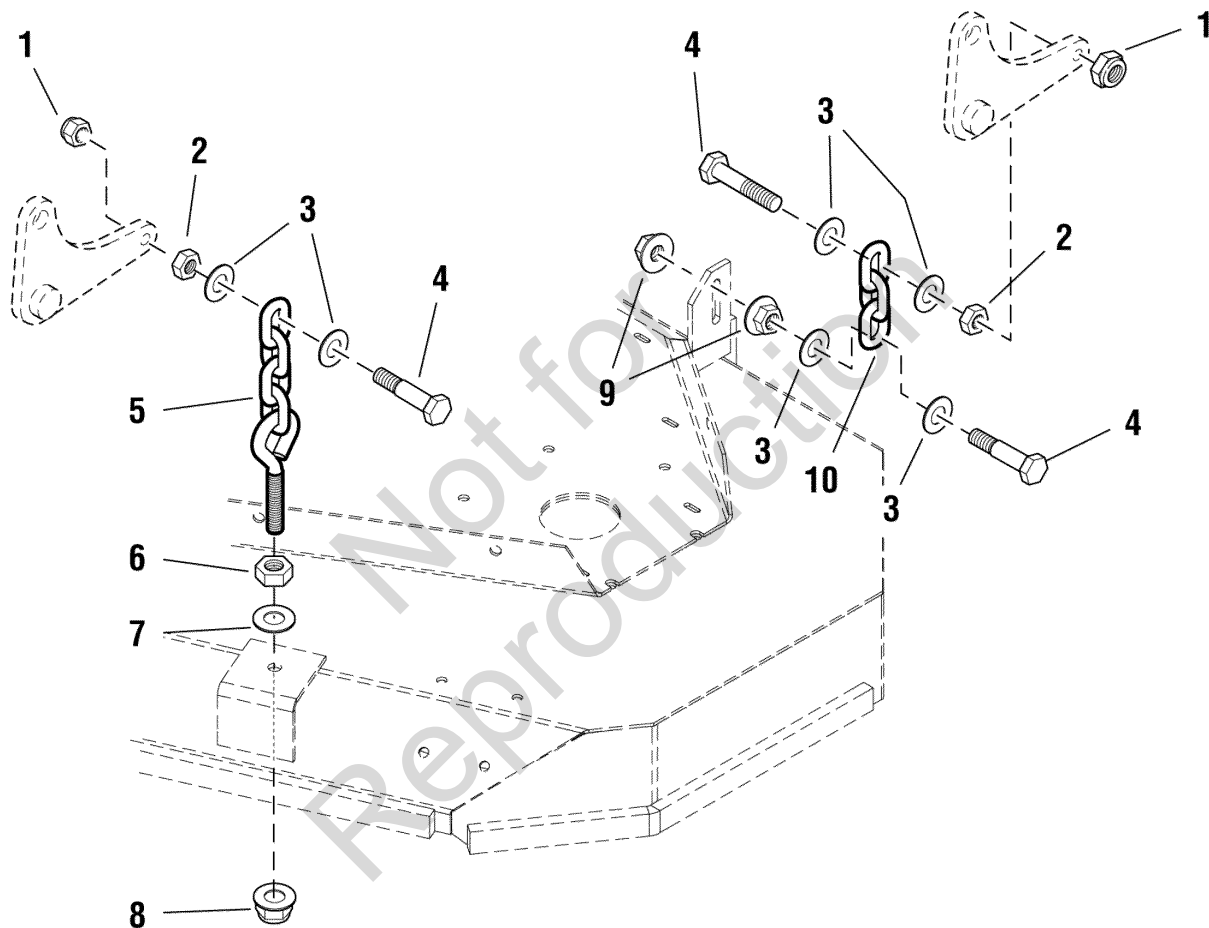
The above parts group applies to the following Mfg. Nos.:

5901184 (3100/72)

5900718 (3100/72 AUS/NZ)

## 61" & 72" Mower Decks - Hanger Chains

NOTE: Unless noted otherwise,  
use the standard hardware torque  
specification chart.



The above parts group applies to the following Mfg. Nos.:

5901184 (3100/72)

5900718 (3100/72 AUS/NZ)

## 61" & 72" Mower Decks - Hanger Chains

REF NO	PART NO.	QTY.	DESCRIPTION
1	5025096	12	NUT, 3/8-16 HEX NYLON LOCK
2	5025084	4	NUT, 3/8-16 HEX JAM
3	5025156	12	WASHER, 3/8" SAE
4	5025013X16	6	BOLT, 3/8-16 X 2" GD5
5	5045026	2	HANGER, FRONT DECK - 4 LINK
6	5025038	2	NUT, 1/2-13 HEX
7	5025158	2	WASHER, 1/2" SAE
8	5025056	2	NUT, 1/2-13 HEX NYLON LOCK
9	5025128	4	NUT, 3/8-16 HEX SERRATED FLANGE
10	5050878X3	2	CHAIN, 5/16" GD30, 3 LINKS

Not for  
Reproduction

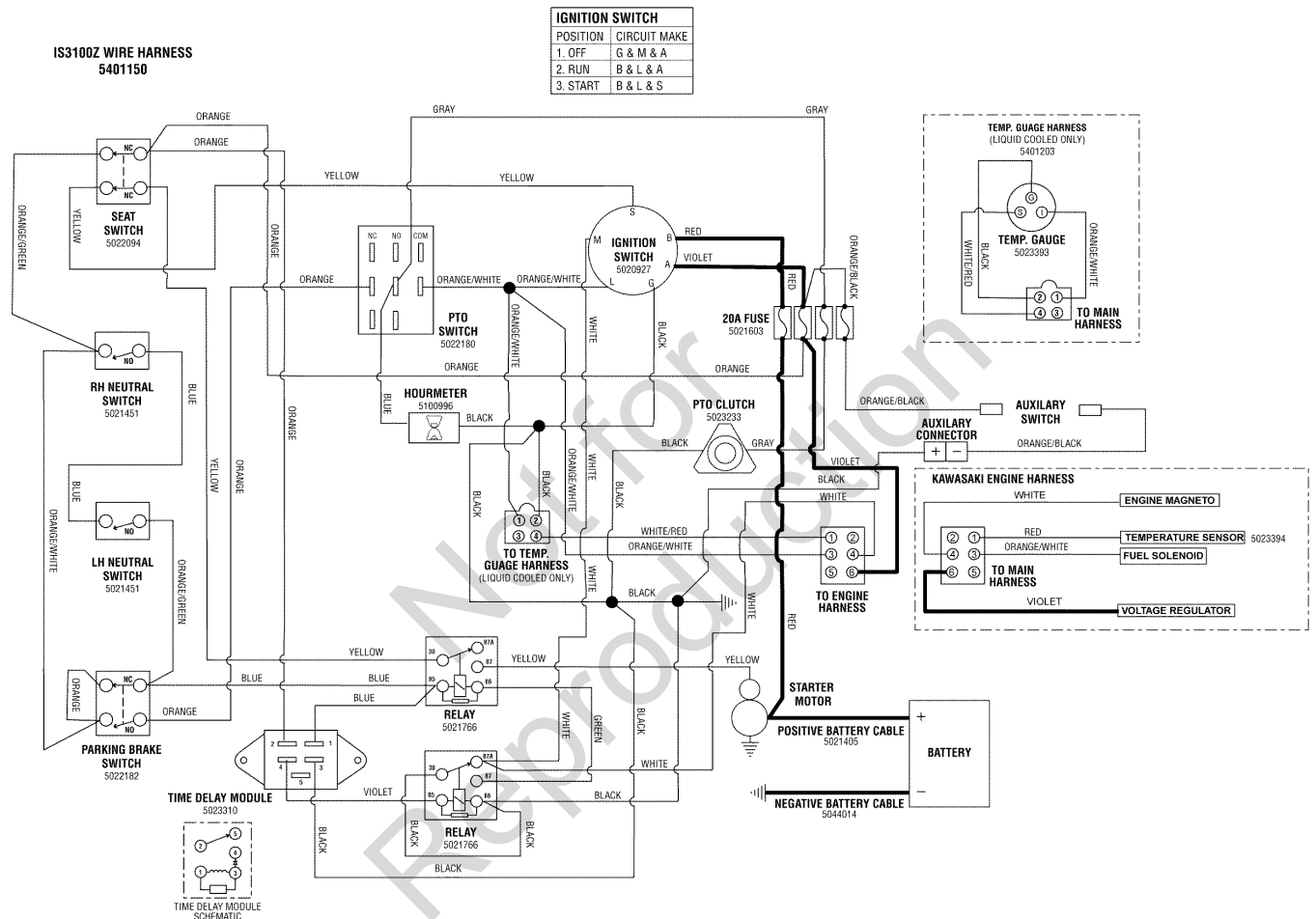
### Footnotes

---

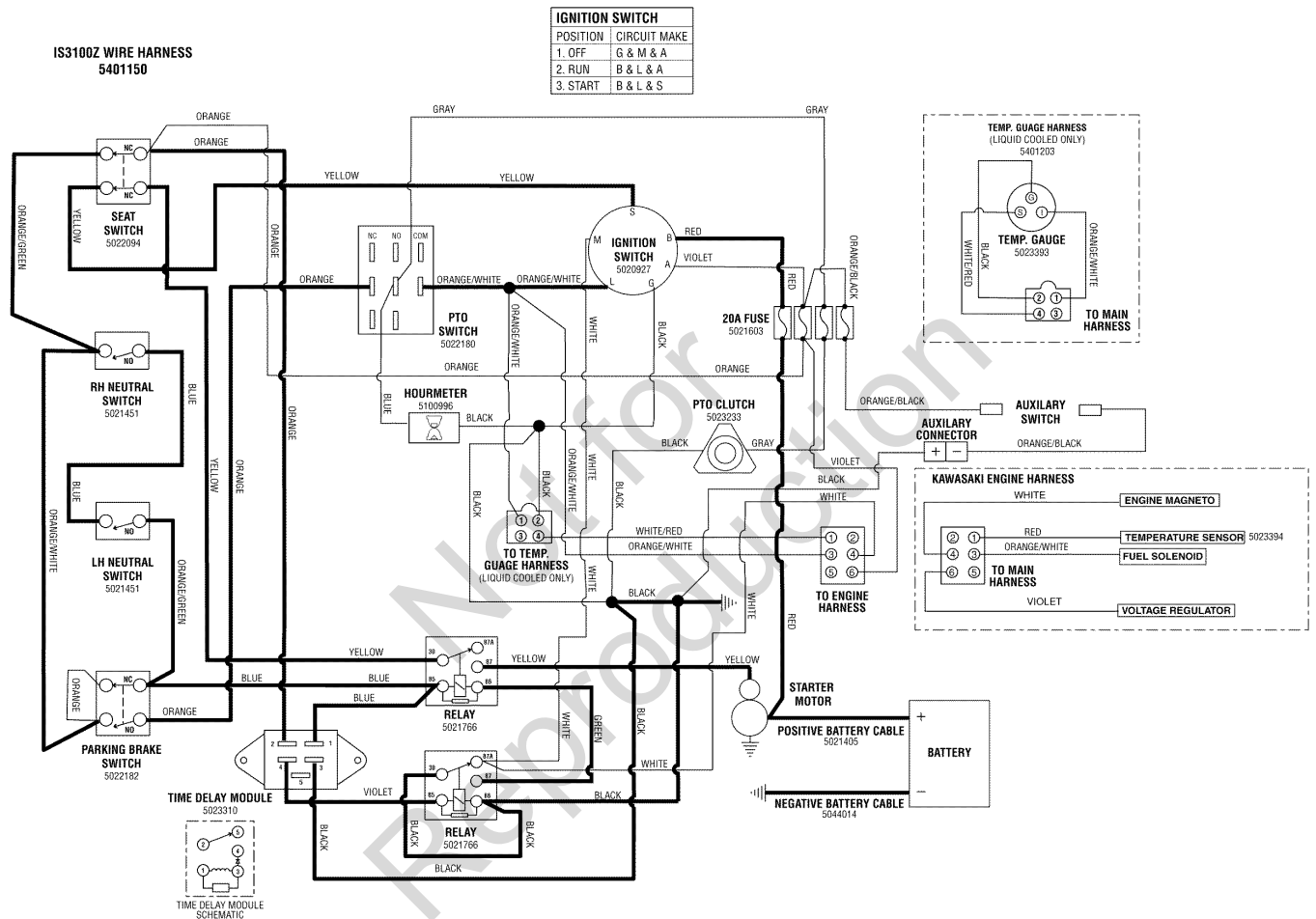
The above parts group applies to the following Mfg. Nos.:

5901184 (3100/72)

5900718 (3100/72 AUS/NZ)



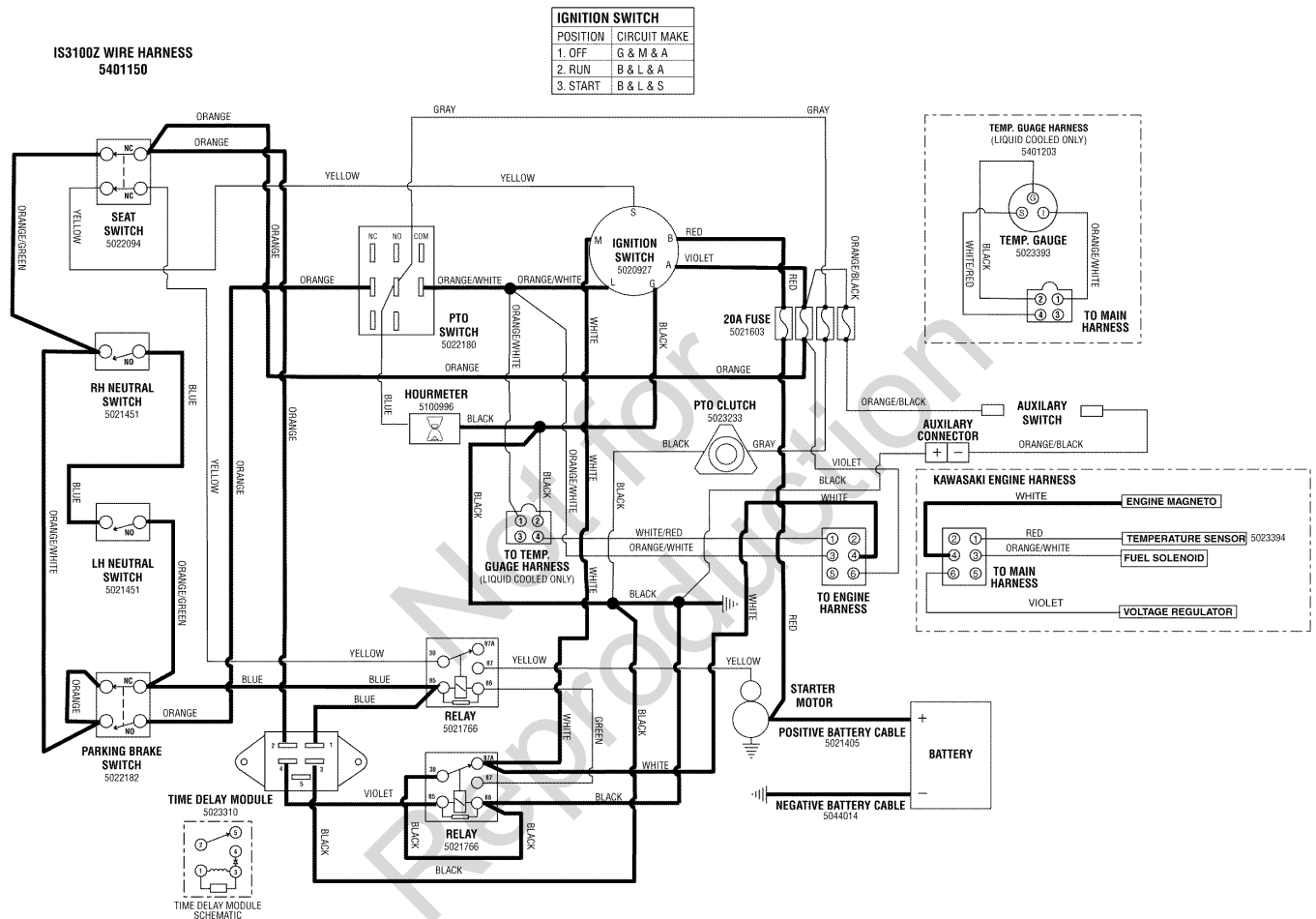
The above parts group applies to the following Mfg. Nos.:  
5900611 (IS3100ZLKAV2661)



The above parts group applies to the following Mfg. Nos.:  
5900611 (IS3100ZLKAV2661)

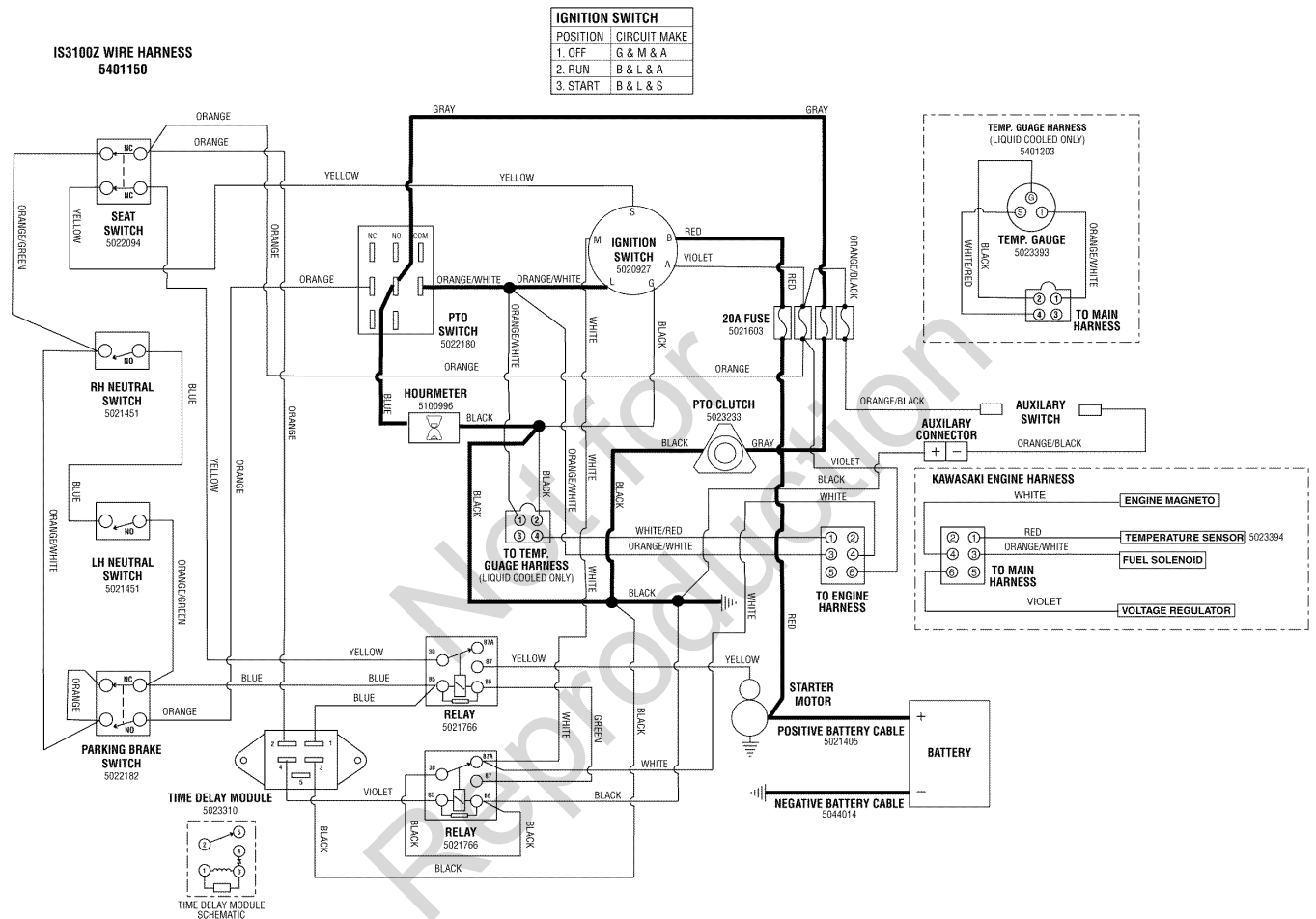
# Electrical Schematic - Ignition Grounding Circuit/Operator Presence - Kawasaki 26HP LC

282esw10



The above parts group applies to the following Mfg. Nos.:  
5900611 (IS3100ZLKAV2661)

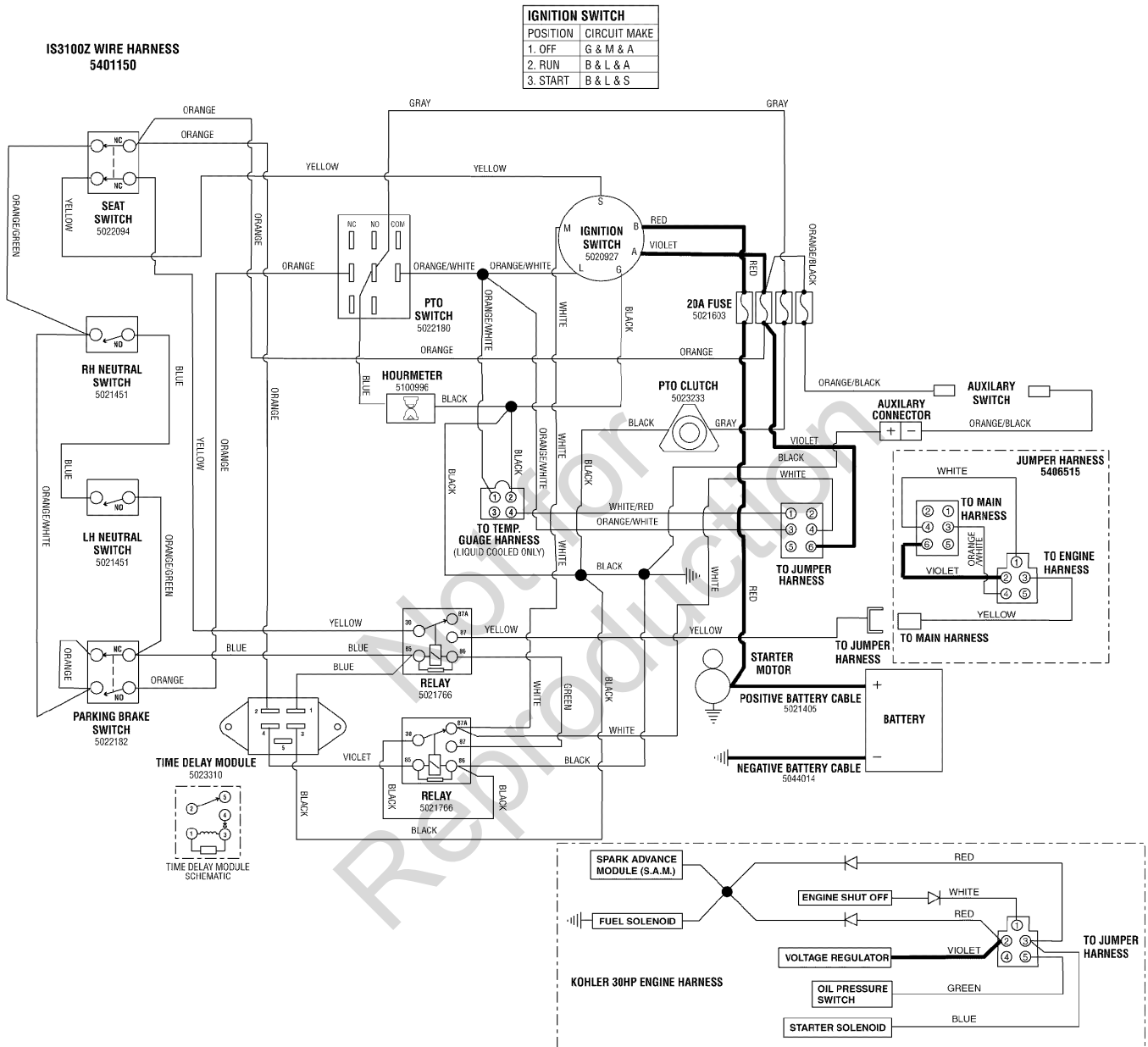




The above parts group applies to the following Mfg. Nos.:  
5900611 (IS3100ZLKAV2661)

# Electrical Schematic - Charging Circuit - Kohler 30HP

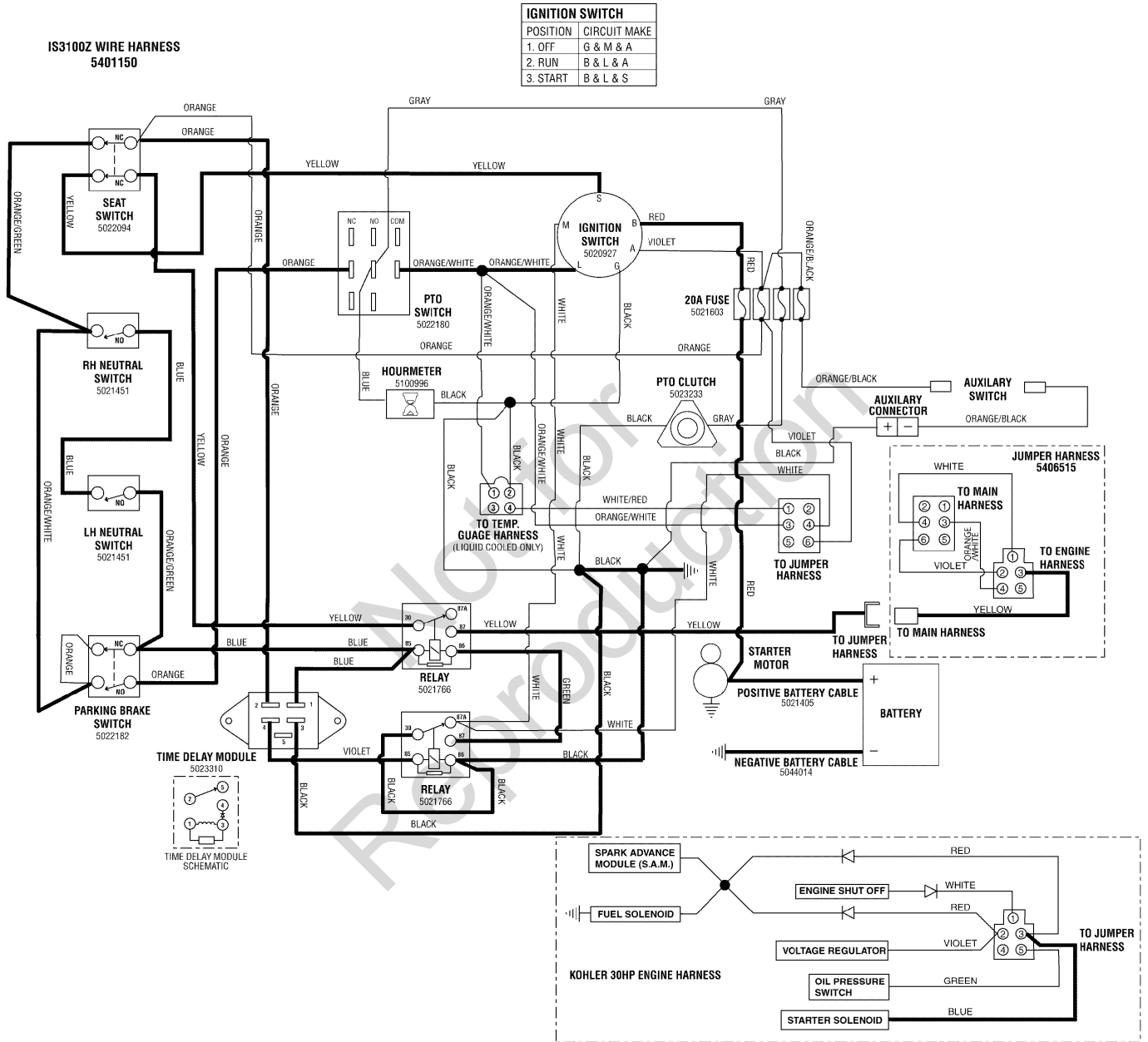
282esk0



The above parts group applies to the following Mfg. Nos.:  
5900612 (IS3100ZK3061)

# Electrical Schematic - Cranking Circuit - Kohler 30HP

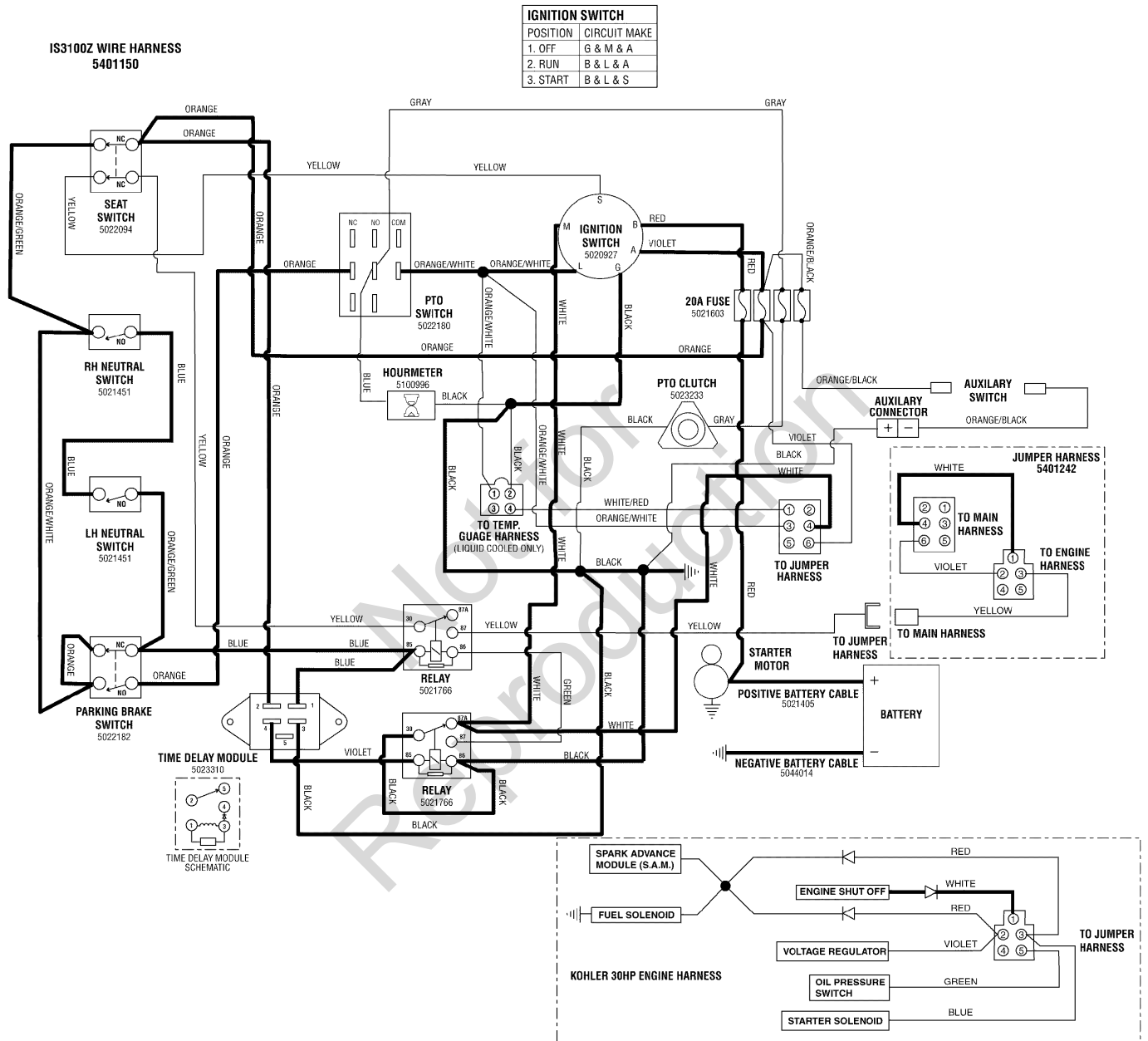
282eskr0



The above parts group applies to the following Mfg. Nos.:  
5900612 (IS3100ZK3061)

# Electrical Schematic - Ignition Grounding Circuit/Operator Presence - Kohler 30HP

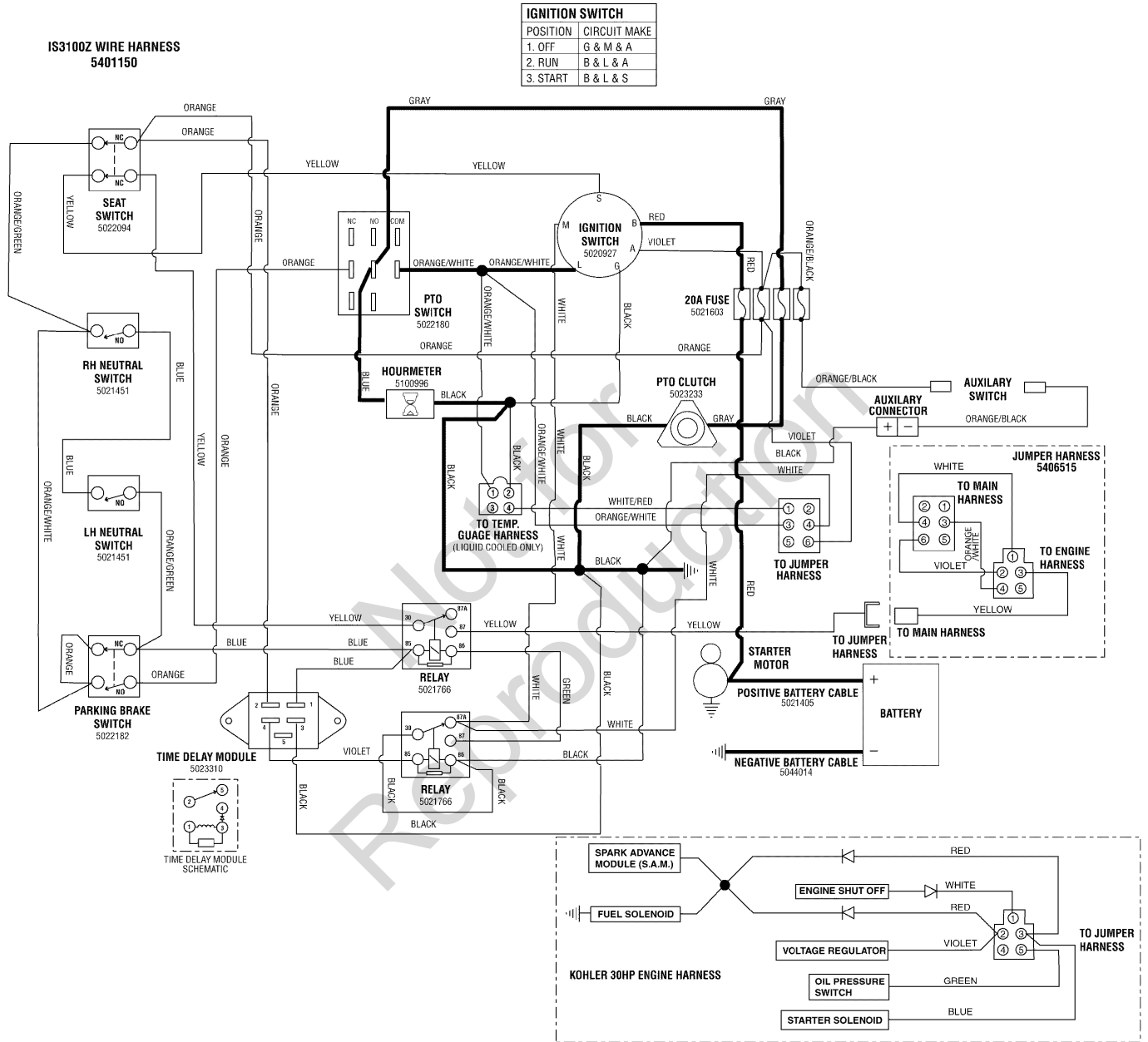
282esk10



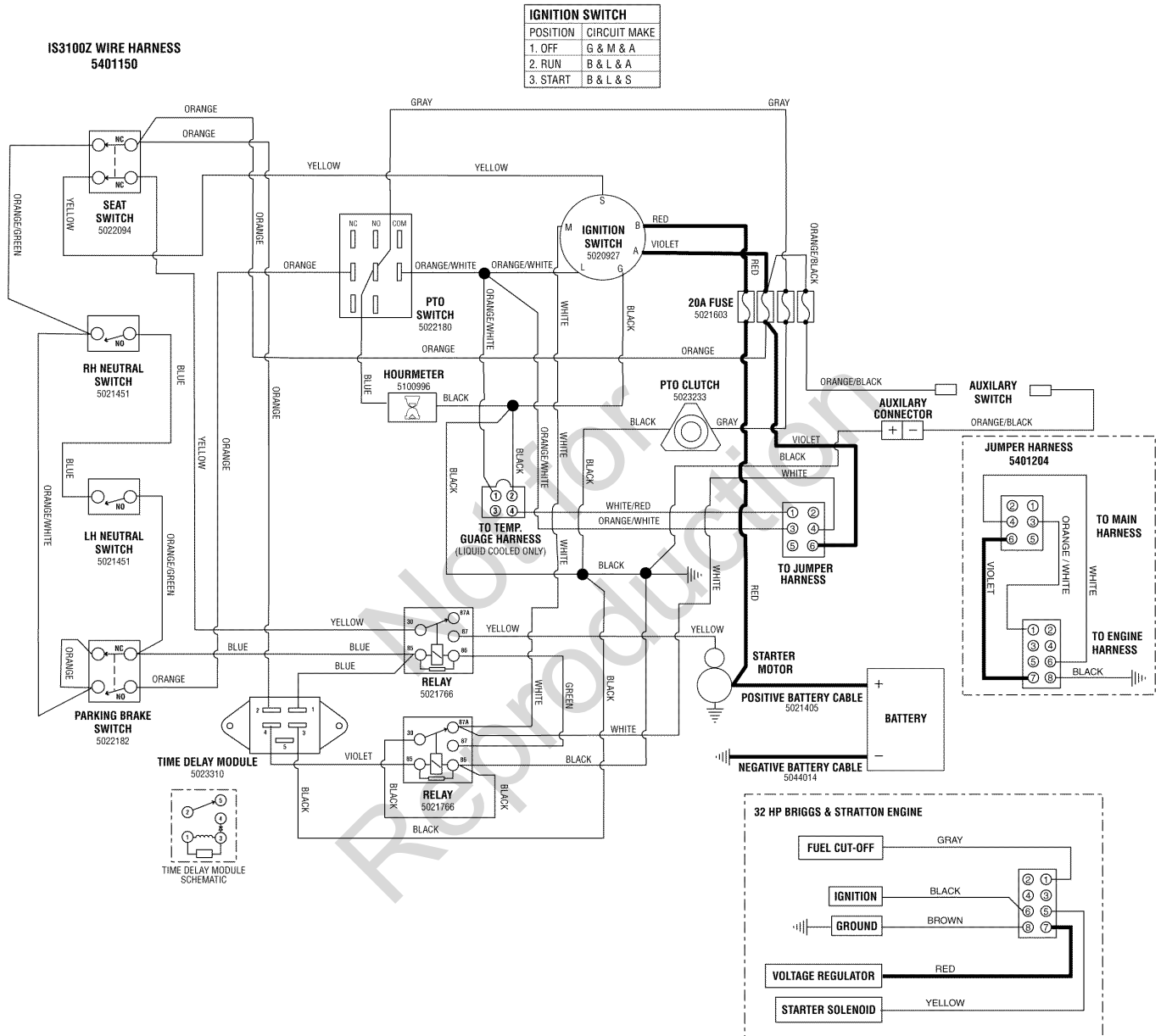
The above parts group applies to the following Mfg. Nos.:  
5900612 (IS3100ZK3061)

# Electrical Schematic - PTO Clutch Circuit - Kohler 30HP

282eskp0



The above parts group applies to the following Mfg. Nos.:  
5900612 (IS3100ZK3061)

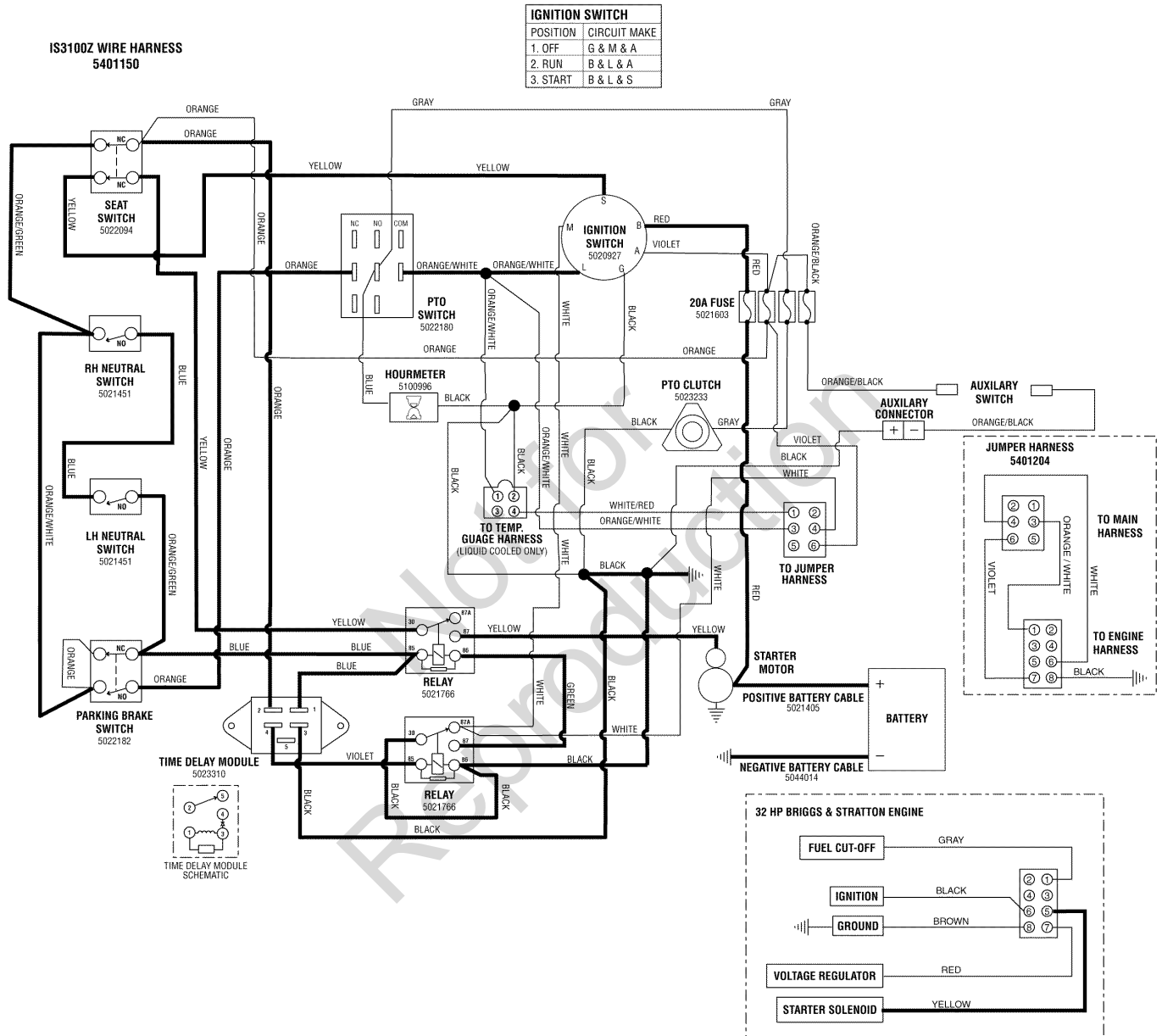


The above parts group applies to the following Mfg. Nos.:

- 5900716 (IS3100ZBV30/61 AUS/NZ)
- 5900717 (IS3100ZBV32 AUS/NZ)
- 5900736 (IS3100ZBV3261 CAL)
- 5901186 (IS3100ZBV3061)
- 5900613 (IS3100ZBV3261)
- 5901183 (IS3100ZBV32)

# Electrical Schematic - Cranking Circuit - Briggs & Stratton 30HP & 32HP

282esbr0



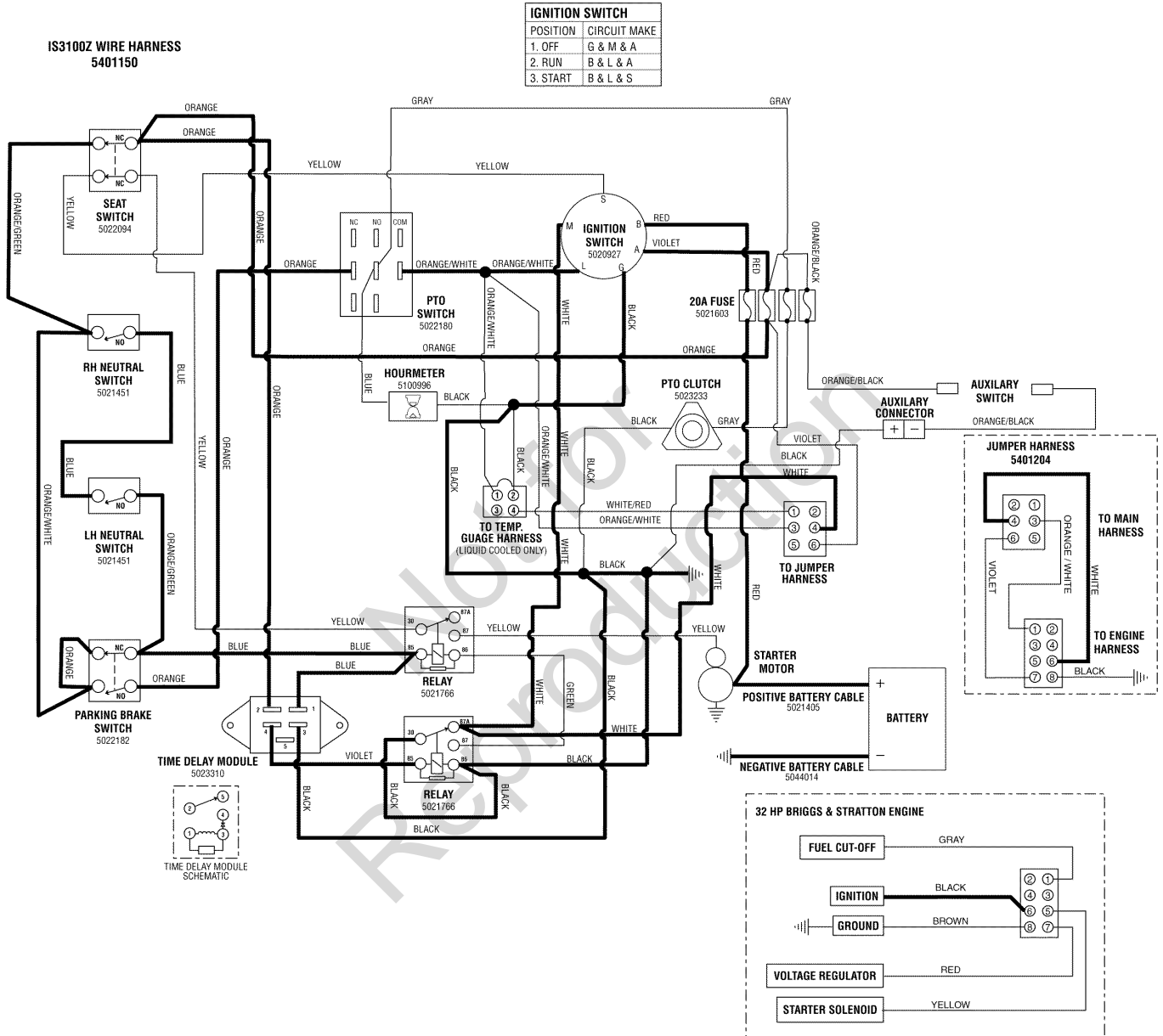
The above parts group applies to the following Mfg. Nos.:

- 5900716 (IS3100ZBV30/61 AUS/NZ)
- 5900717 (IS3100ZBV32 AUS/NZ)
- 5900736 (IS3100ZBV3261 CAL)
- 5901186 (IS3100ZBV3061)
- 5900613 (IS3100ZBV3261)
- 5901183 (IS3100ZBV32)

# Electrical Schematic - Ignition Grounding Circuit/Operator Presence - Briggs & Stratton

30HP & 32HP

282esb10



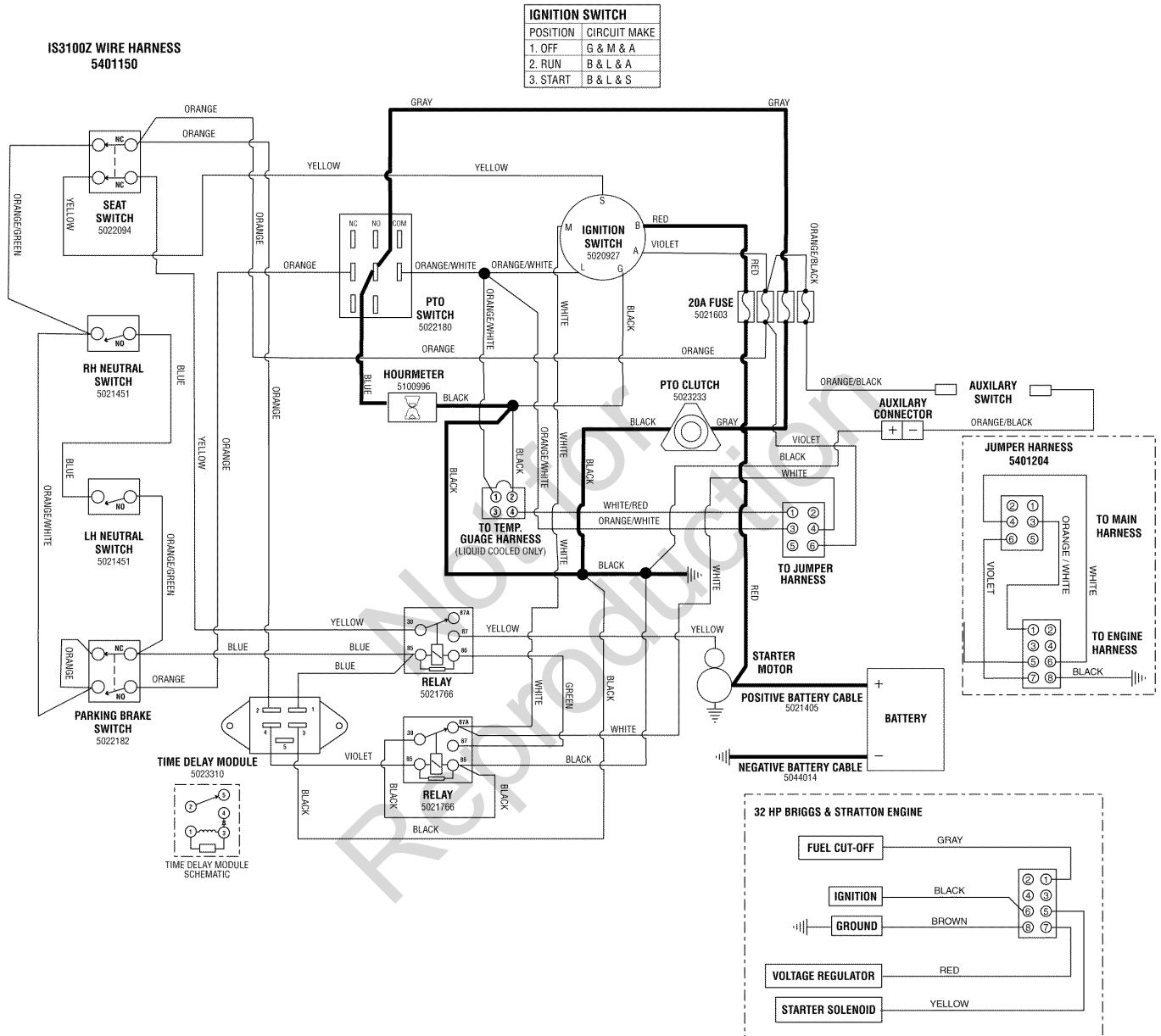
The above parts group applies to the following Mfg. Nos.:

- 5900716 (IS3100ZBV30/61 AUS/NZ)
- 5900717 (IS3100ZBV32 AUS/NZ)
- 5900736 (IS3100ZBV3261 CAL)
- 5901186 (IS3100ZBV3061)
- 5900613 (IS3100ZBV3261)
- 5901183 (IS3100ZBV32)



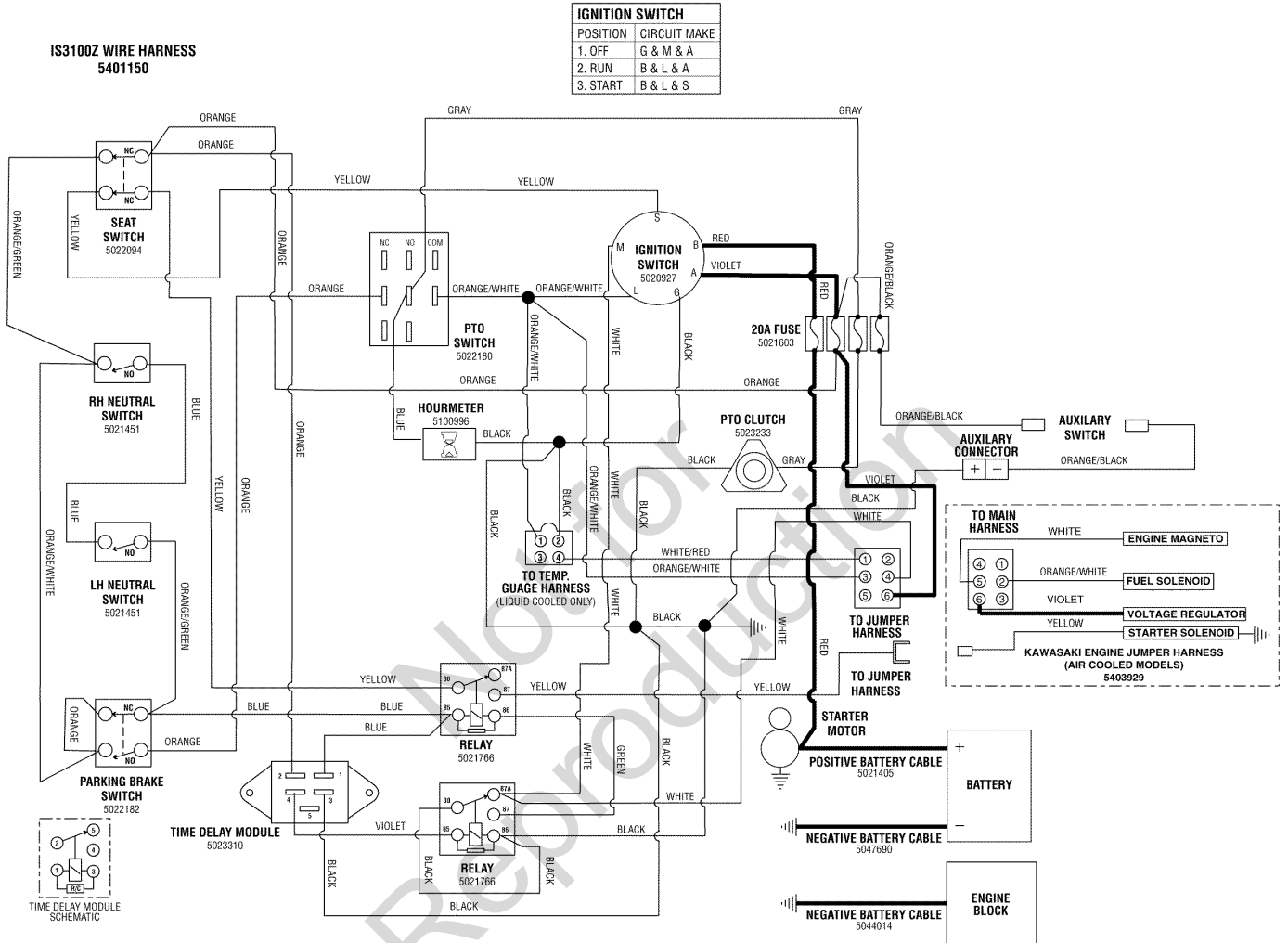
# Electrical Schematic - PTO Clutch Circuit - Briggs & Stratton 30HP & 32HP

282esbp0



The above parts group applies to the following Mfg. Nos.:

- 5900716 (IS3100ZBV30/61 AUS/NZ)
- 5900717 (IS3100ZBV32 AUS/NZ)
- 5900736 (IS3100ZBV3261 CAL)
- 5901186 (IS3100ZBV3061)
- 5900613 (IS3100ZBV3261)
- 5901183 (IS3100ZBV32)



The above parts group applies to the following Mfg. Nos.:

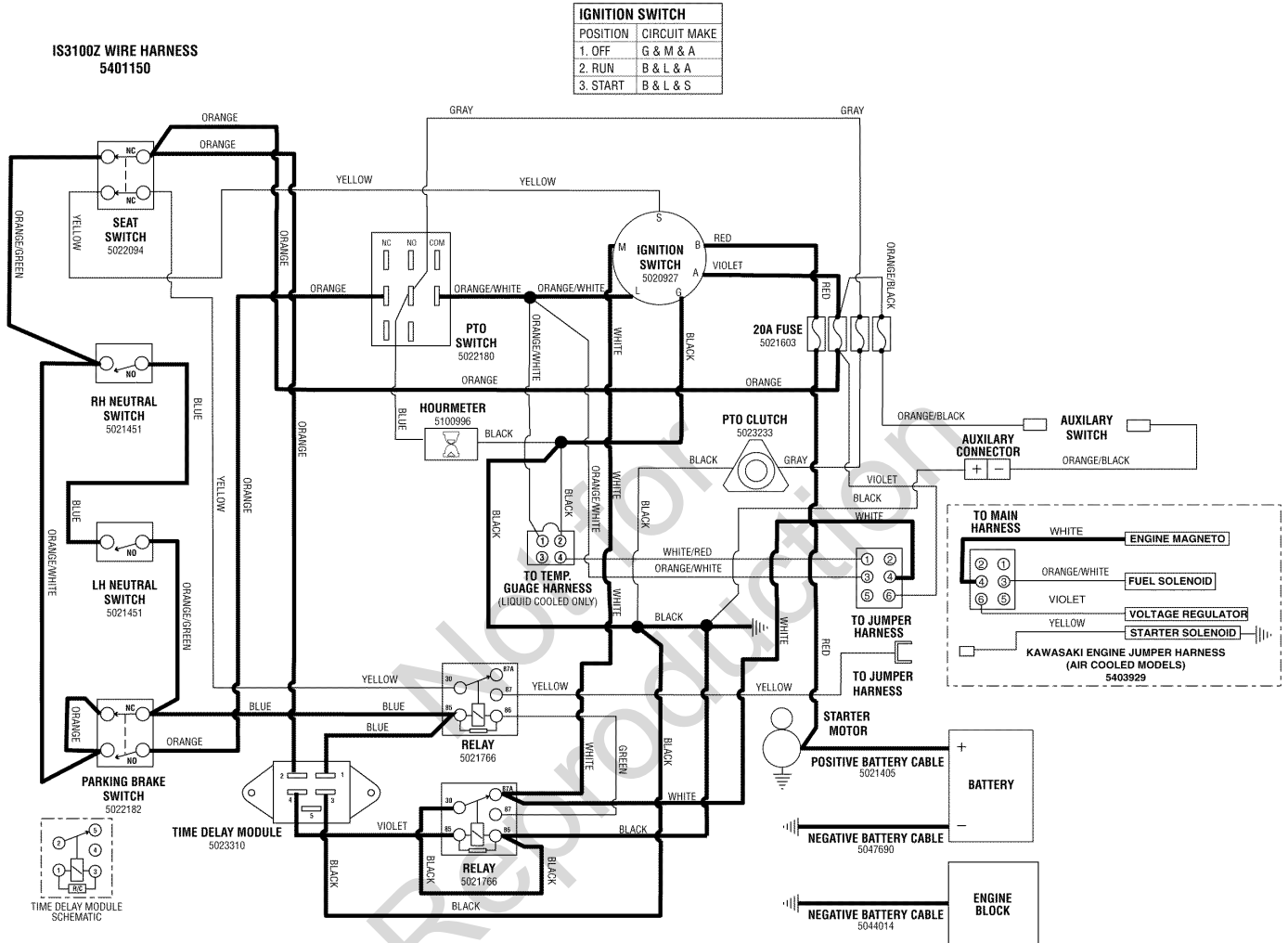
5900752 (IS3100ZKAV3761SS)

5900753 (IS3100ZKAV37SS)



# Electrical Schematic - Ignition Grounding/Operator Presence - Kawasaki 37HP

5301292I



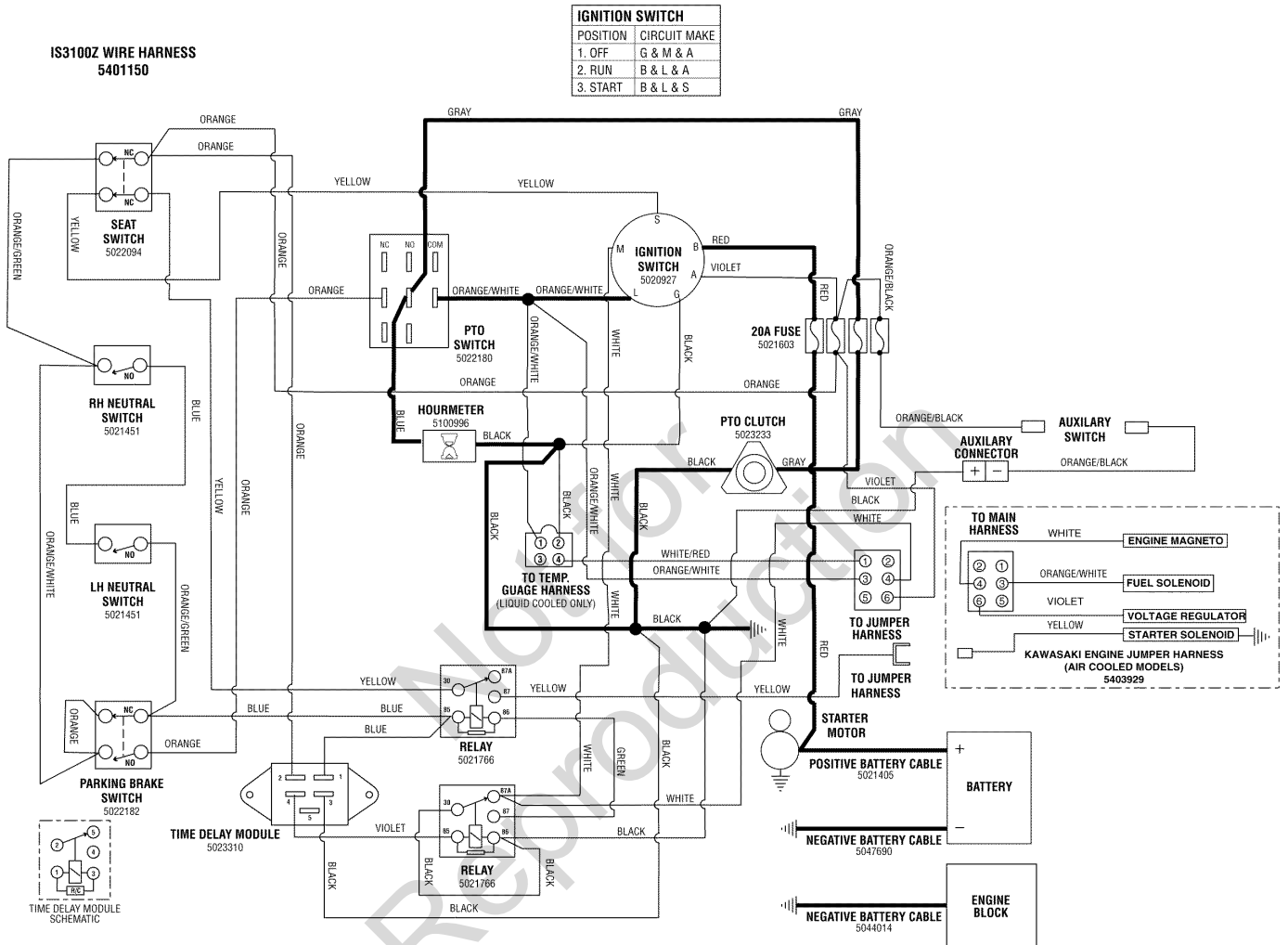
The above parts group applies to the following Mfg. Nos.:

5900752 (IS3100ZKAV3761SS)

5900753 (IS3100ZKAV37SS)

# Electrical Schematic - PTO Clutch Circuit - Kawasaki 37HP

5301292P



The above parts group applies to the following Mfg. Nos.:

5900752 (IS3100ZKAV3761SS)

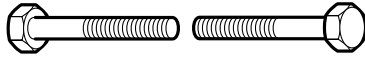
5900753 (IS3100ZKAV375S)

Not for  
Reproduction

# Hardware Identification & Torque Specifications

## Common Hardware Types

Hex Head Capscrew



Washer



Lockwasher



Carriage Bolt



Hex Nut

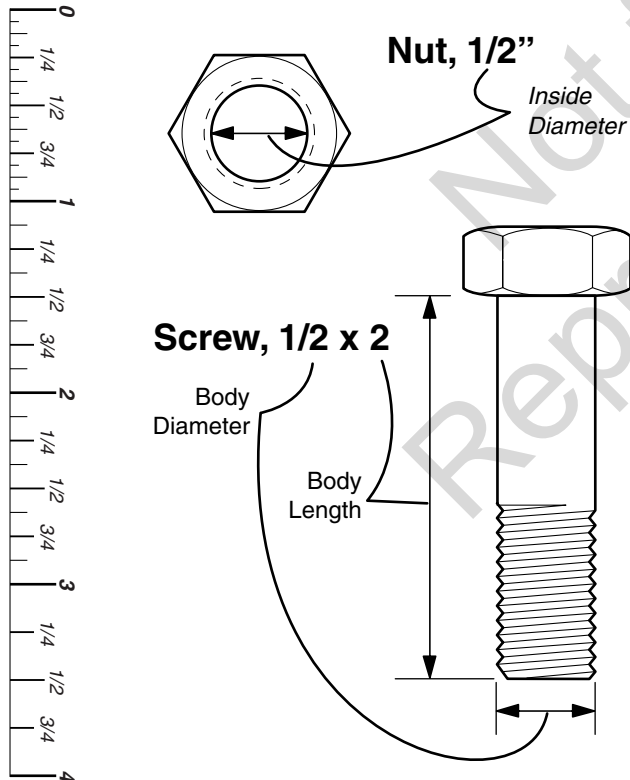


## Standard Hardware Sizing

When a washer or nut is identified as  $1/2''$ , this is the *Nominal size*, meaning the *inside diameter* is  $1/2$  inch; if a second number is present it represents the *threads per inch*

When bolt or capscrew is identified as  $1/2 - 16 \times 2''$ , this means the *Nominal size*, or *body diameter* is  $1/2$  inch; the second number represents the *threads per inch* (16 in this example, and the final number is the *body length* of the bolt or screw (in this example 2 inches long).

*The guides and ruler furnished below are designed to help you select the appropriate hardware and tools.*



Torque Specification Chart						
FOR STANDARD MACHINE HARDWARE (Tolerance $\pm 20\%$ )						
Hardware Grade	No Marks SAE Grade 2		SAE Grade 5		SAE Grade 8	
	in/lbs ft/lbs	Nm.	in/lbs ft/lbs	Nm.	in/lbs ft/lbs	Nm.
8-32	19	2.1	30	3.4	41	4.6
8-36	20	2.3	31	3.5	43	4.9
10-24	27	3.1	43	4.9	60	6.8
10-32	31	3.5	49	5.5	68	7.7
1/4-20	66	7.6	8	10.9	12	16.3
1/4-28	76	8.6	10	13.6	14	19.0
5/16-18	11	15.0	17	23.1	25	34.0
5/16-24	12	16.3	19	25.8	27	34.0
3/8-16	20	27.2	30	40.8	45	61.2
3/8-24	23	31.3	35	47.6	50	68.0
7/16-14	30	40.8	50	68.0	70	95.2
7/16-20	35	47.6	55	74.8	80	108.8
1/2-13	50	68.0	75	102.0	110	149.6
1/2-20	55	74.8	90	122.4	120	163.2
9/16-12	65	88.4	110	149.6	150	204.0
9/16-18	75	102.0	120	163.2	170	231.2
5/8-11	90	122.4	150	204.0	220	299.2
5/8-18	100	136	180	244.8	240	326.4
3/4-10	160	217.6	260	353.6	386	525.0
3/4-16	180	244.8	300	408.0	420	571.2
7/8-9	140	190.4	400	544.0	600	816.0
7/8-14	155	210.8	440	598.4	660	897.6
1-8	220	299.2	580	788.8	900	1,244.0
1-12	240	326.4	640	870.4	1,000	1,360.0

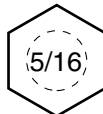
### NOTES

- These torque values are to be used for all hardware excluding: locknuts, self-tapping screws, thread forming screws, sheet metal screws and socket head setscrews.
- Recommended seating torque values for locknuts:
  - for prevailing torque locknuts - use 65% of grade 5 torques.
  - for flange whizlock nuts and screws - use 135% of grade 5 torques.
- Unless otherwise noted on assembly drawings, all torque values must meet this specification.

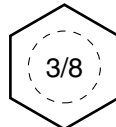
## Wrench & Fastener Size Guide



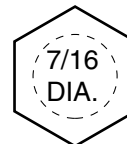
$1/4''$  Bolt or Nut  
Wrench— $7/16''$



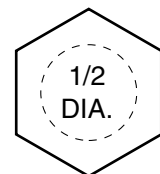
$5/16''$  Bolt or Nut  
Wrench— $1/2''$



$3/8''$  Bolt or Nut  
Wrench— $9/16''$



$7/16''$  Bolt or Nut  
Wrench (Bolt)— $5/8''$   
Wrench (Nut)— $11/16''$



$1/2''$  Bolt or Nut  
Wrench— $3/4''$

# Parts Manual

## IS3100Z Series

### Zero-Turn Riding Mower

Not for  
Reproduction

**IT IS THE POLICY OF FERRIS INDUSTRIES TO IMPROVE ITS PRODUCTS WHENEVER IT IS POSSIBLE AND PRACTICAL TO DO SO. WE RESERVE THE RIGHT TO MAKE CHANGES OR ADD IMPROVEMENTS AT ANY TIME WITHOUT INCURRING ANY OBLIGATION TO MAKE SUCH CHANGES ON PRODUCTS MANUFACTURED**

#### **Briggs and Stratton Yard Power Products Group**

5375 North Main Street  
Munnsville, NY 13409 USA  
800-933-6175

[www.ferrisindustries.com](http://www.ferrisindustries.com)

© Copyright 2010 Briggs and Stratton Corporation  
All Rights Reserved. Printed In USA.